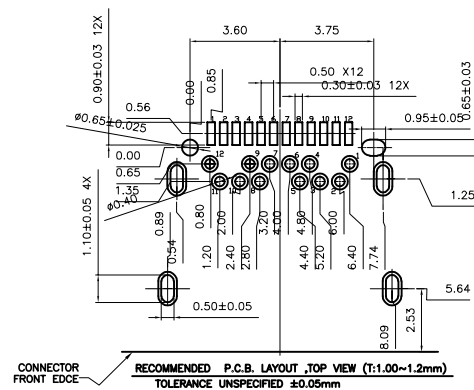
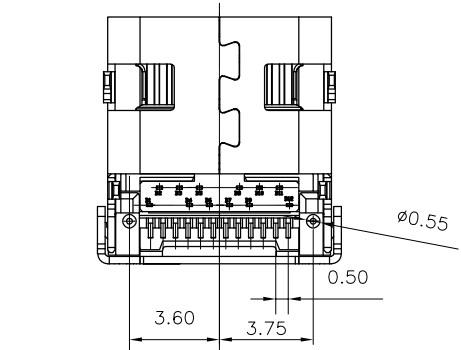
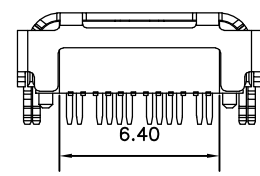
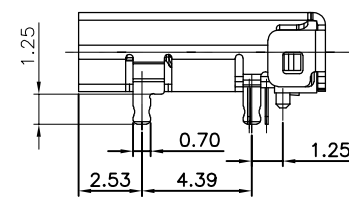
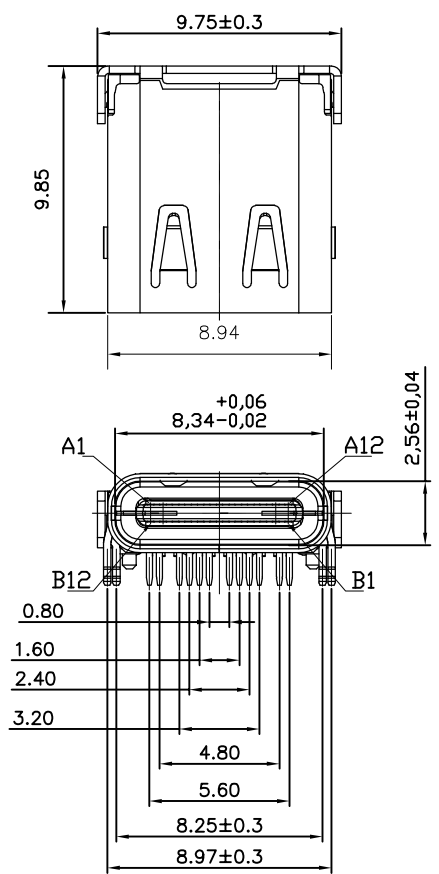
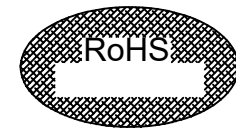


REV.	ECN NO.	MODIFY	MATTER	DATE	APPROVED
A		RELEASE TO PRODUCTION			



- 备注:
- 1.1 材质:
 - 1.2 端子: C1814, T=0.12mm; 镍底, 镀金
 - 1.3 外壳: 不锈钢, T=0.30mm; 表面镀镍
 - 1.4 接地片: 不锈钢, T=0.10mm;
 - 1.5 卡片: 不锈钢, T=0.15mm;
 2. 主要特性:
 - 2.1 额定电流: 3A FOR VBUS;
1.25A FOR GND;
0.25A FOR OTHER.
 - 2.2 接触阻抗: 40mΩ MAX
 - 2.3 绝缘阻抗: 100MΩ MIN
 - 2.4 耐压测试: 100V AC
 - 2.5 沾锡性: 温度 245±5℃, 时间 5±0.5s
 - 2.6 整体插入力: 5~20N
整体拔出力: 8~20N
耐久后拔出力: 6~20N
 - 2.7 使用寿命: 10000次
 - 2.8 工作温度: -25℃~+80℃

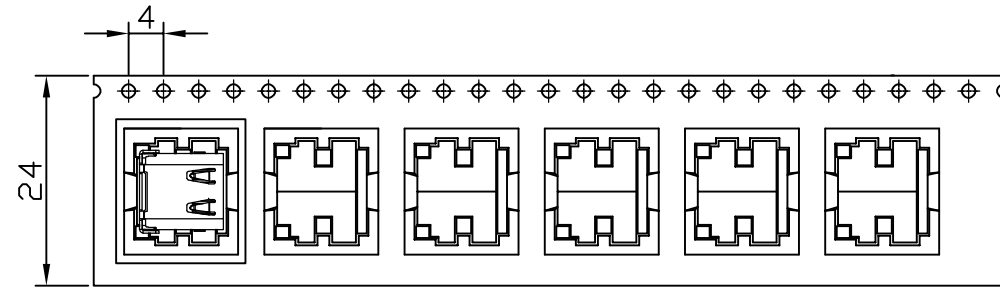
EAST-USF24PAP1250R

- Plating:
- A-Flash Gold on contact area;
 - B-3u" Gold on contact area;
 - C-5u" Gold on contact area;
 - D-10u" Gold on contact area;
 - E-15u" Gold on contact area;
 - G-30u" Gold on contact area;

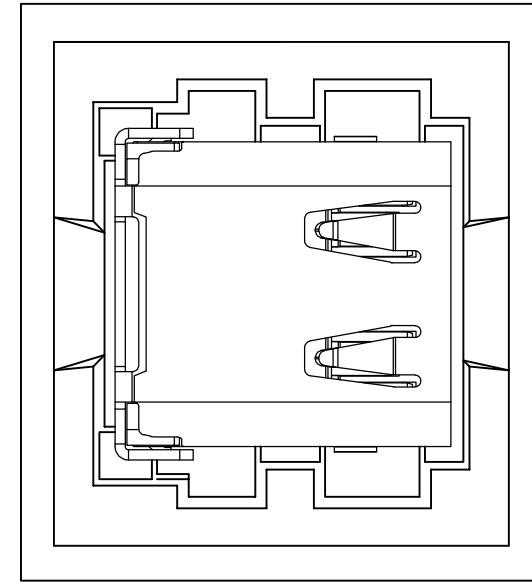
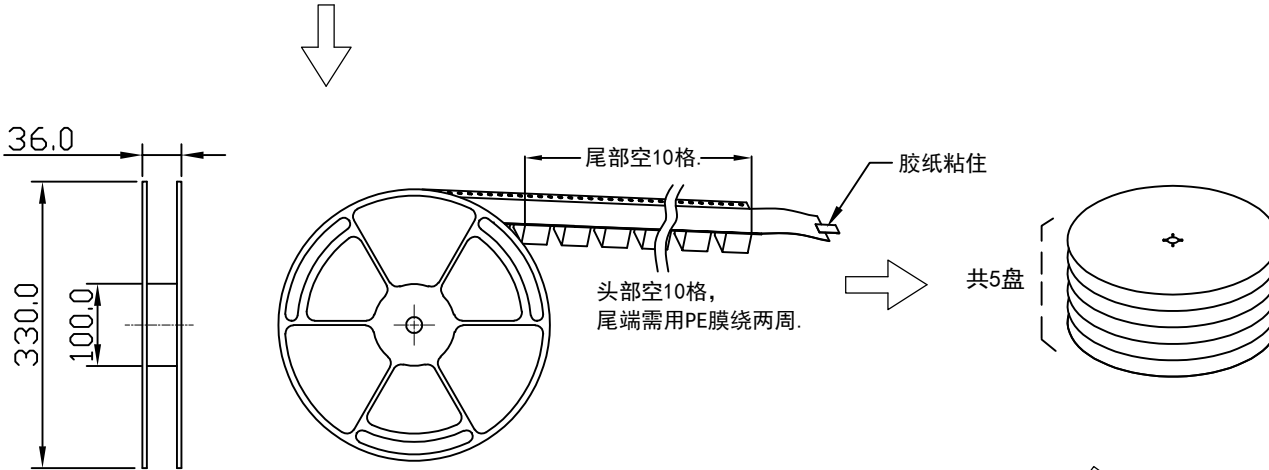
A1	GND	B12	GND
A2	SSTXP1	B11	SSRXP1
A3	SSTXN1	B10	SSRXN1
A4	VBUS	B9	VBUS
A5	CC1	B8	SBU2
A6	DP1	B7	DN2
A7	DN1	B6	DP2
A8	SBU1	B5	CC2
A9	VBUS	B4	VBUS
A10	SSRXN2	B3	SSTXN2
A11	SSRXP2	B2	SSTXP2
A12	GND	B1	GND
PIN	SIGNAL NAMF	PIN	SIGNAL NAMF

TOLERANCES UNLESS OTHERWISE SPECIFIED: X. --- X.X ± 0.38 X.XX ± 0.25 X.XXX ± 0.20 Angle ± 3°	COSTUMER COPY	深圳市东方御业科技有限公司 WWW.DFYCONN.COM TEL:0755-27155560	
	DRAWN: Qinx	2017/09/10	TITL: USB3.1 C TYPE母座板上型短体L9.85, 脚长1.25mm 90度前插后贴 (RoHS)
THESE DRAWING AND SPECIFICATION ARE THE PROPERTY OF Shenzhen Dongfangyue ELECTRONIC CO., LTD., SHALL NOT BE REPRODUCED.	CHECKED: Chenl	2017/09/10	PART NO: EAST-USF24PAP1250R
	APPROVED: Chenl	2017/09/10	UNIT: mm
			SCALE: N/A SHEEL: REV.

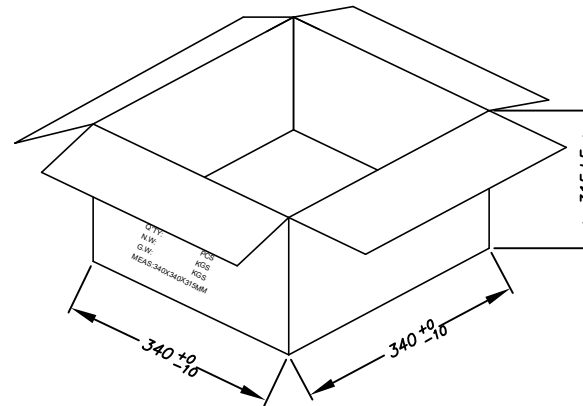
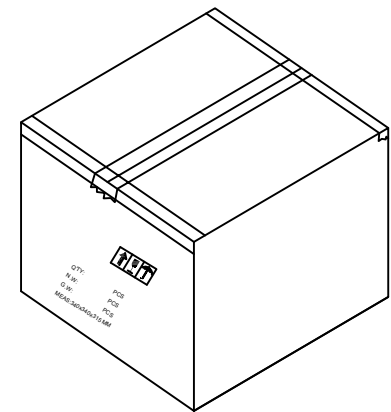
REV.	ECN NO.	MODIFY MATTER	DATE	APPROVED
A		RELEASE TO PRODUCTION		



DETTALL "A"



PIN脚方向
DETTALL "A"
SCALE: 4:1



NOTES:

1. 每卷装产品1000PCS.
2. 每箱装产品5X1000=5000PCS.
3. 卷盘规格为: 15寸/盘
4. 纸箱规格为: 38.5MM*38.5MM*170MM

TOLERANCES UNLESS OTHERWISE SPECIFIED:

X.	---
X.X	± 0.38
X.XX	± 0.25
X.XXX	± 0.20
Angle	± 3°

THESE DRAWING AND SPECIFICATION ARE THE PROPERTY OF Shenzhen Dongfangyue ELECTRONIC CO., LTD., SHALL NOT BE REPRODUCED.

COSTOMER COPY		深圳市东方御业科技有限公司 WWW.DFYCONN.COM TEL:0755-27155560	
DRAWN: Qinkx	2017/09/10	TITIAL: USB3.1 C TYPE母座板上型短体L9.85, 脚长1.25mm 90度前插后贴 包装图 (RoHS)	
CHECKED: Chenl	2017/09/10	PART NO: EAST-USF24PAP1250R	
APPROVED: Chenl	2017/09/10	UNIT: mm	SCALE: N/A