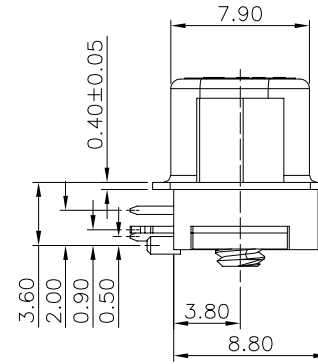
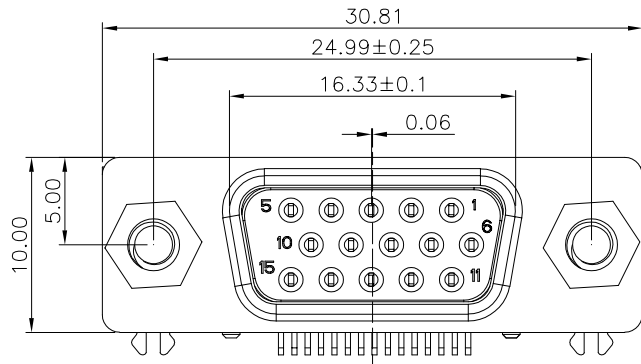


REV.	ECN NO.	MODIFY MATTER	DATE	APPROVED
A		RELEASE TO PRODUCTION		



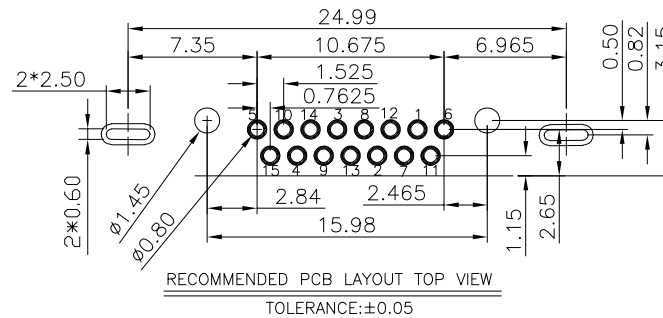
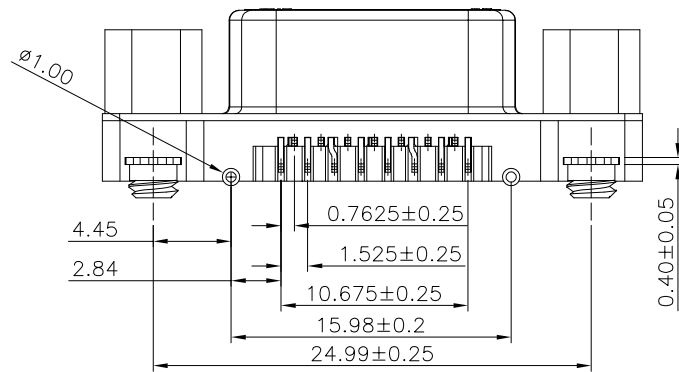
NOTES:

1. MATERIAL:

HOUSING/CAP:HIGH TEMP PLASTIC,(HF) UL94V-0,
 COLOR:SEE TABLE
 CONTACTS:BRASS
 SHELL: SPCC
 BOARDLOCK:SPCC
 NUT:BRASS

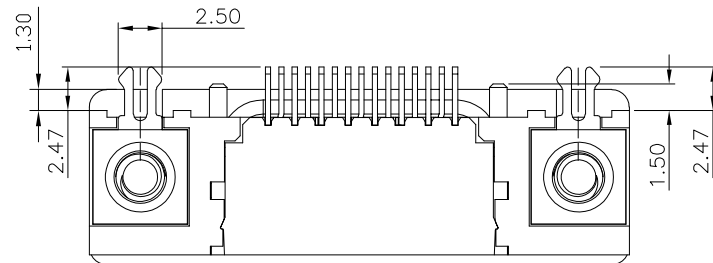
2. FINISH:

CONTACTS: GOLD PLATED ON CONTACT AREA,
 MATTE-TIN PLATED ON SOLDER TAIL,
 NICKEL UNDERPLATING OVER ALL.
 SHELL:NICKEL UNDERPLATING OVERALL
 BOARDLOCK:MATTE TIN PLATING ALL OVER
 NICKEL UNDERPLATING OVER ALL.



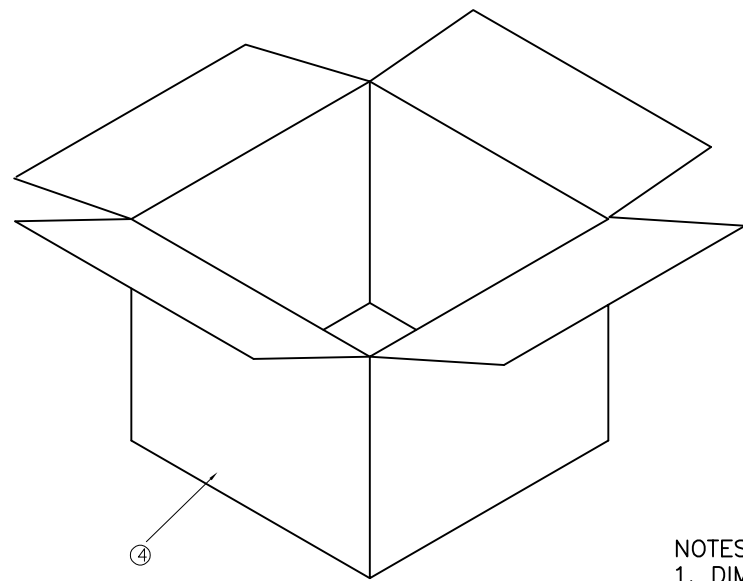
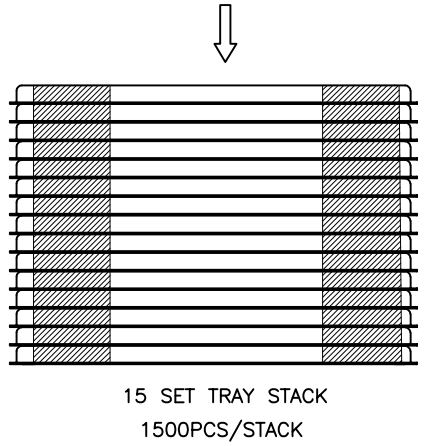
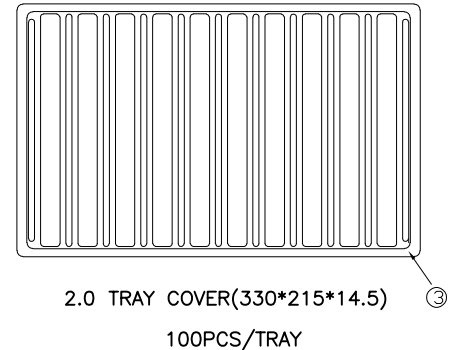
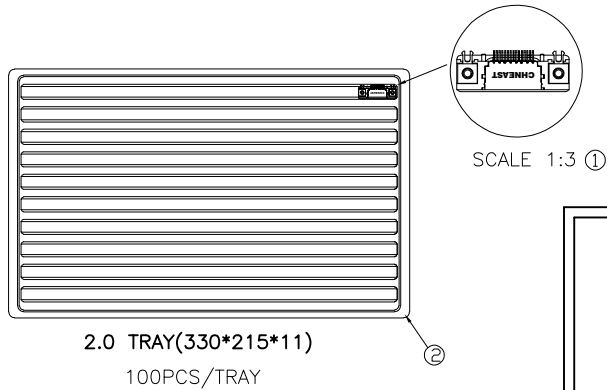
EAST-SLIM15X031-XXX

- 螺丝: 颜色:
- 0:锁螺丝4.8*9.6 003:蓝色
 - 1:无螺丝 005:黑色
 - 2:附螺丝4.8*9.6
 - 3:附螺丝5.8*9.6
 - 4:锁螺丝5.8*11.8
 - 5:锁螺丝5.8*9.6
 - X:按需求

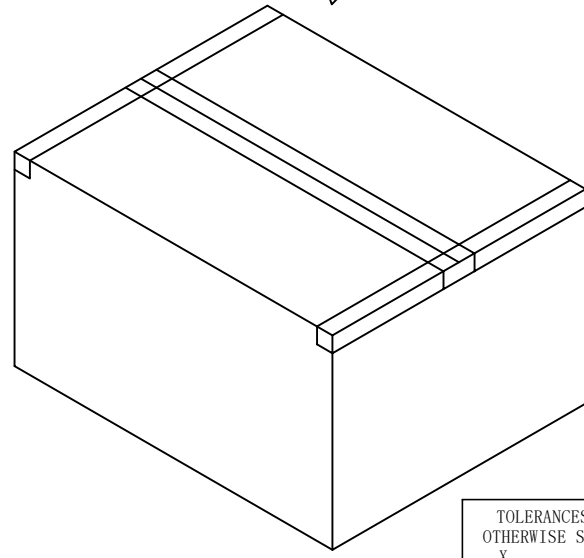


TOLERANCES UNLESS OTHERWISE SPECIFIED: X. --- X.X ± 0.38 X.XX ± 0.25 X.XXX ± 0.20 Angle ± 3°	COSTOMER COPY	深圳市东方御业科技有限公司 Tel:0755-2715560 WWW.DFYCONN.COM			
	DRAWN: Qinkx	2017/09/10	TITL: SLIM 15F母头外壳10.0铆合沉板	(RoHS)	
THESE DRAWING AND SPECIFICATION ARE THE PROPERTY OF Shenzhen Dongfangyue ELECTRONIC CO., LTD.. SHALL NOT BE REPRODUCED.	CHECKED: Chenl	2017/09/10	PART NO: EAST-SLIM15X031-XXX	UNIT: mm	SCALE: N/A
	APPROVED: Chenl	2017/09/10	SHEEL:	REV.	

REV.	ECN NO.	MODIFY MATTER	DATE	APPROVED
A		RELEASE TO PRODUCTION		



1500 PCS/CARTON



NOTES :

1. DIMENSION :
 - 1.1 2.0 TRAY(COVER) : L=340, W=215, H=14.5
 - 1.2 2.0 TRAY: L=340, W=215, H=11
 - 1.3 SHIPPING CARTON : L=350, W=240, H=240
2. QUANTITY :
 - 2.1 PRIMARY PACKING: 100 PCS/TRAY
 - 2.2 SECONARY PACKING: 15 TRAY/CARTON(1500PCS)
3. WEIGHT :
 - 3.1 NET WEIGHT : 7.68Kg/CARTON
 - 3.2 GROSS WEIGHT : 9.09Kg/CARTON

TOLERANCES UNLESS OTHERWISE SPECIFIED: X. --- X. X ± 0.38 X. XX ± 0.25 X. XXX ± 0.20 Angle ± 3°	CUSTOMER COPY Qinkx		深圳市东方御业科技有限公司 Tel:0755-2715560 WWW.DFYCONN.COM	
	DRAWN: Qinkx	2017/09/10	TITIAL: SLIM 9/15PIN包装图	
CHECKED: Chenl	2017/09/10	PART NO: EAST-SLIM15X030-XXX (RoHS)		
APPROVED: Chenl	2017/09/10	UNIT: mm	SCALE: N/A	SHEEL: REV.