

REV.	ECN NO.	MODIFY MATTER	DATE	APPROVED
A		RELEASE TO PRODUCTION		

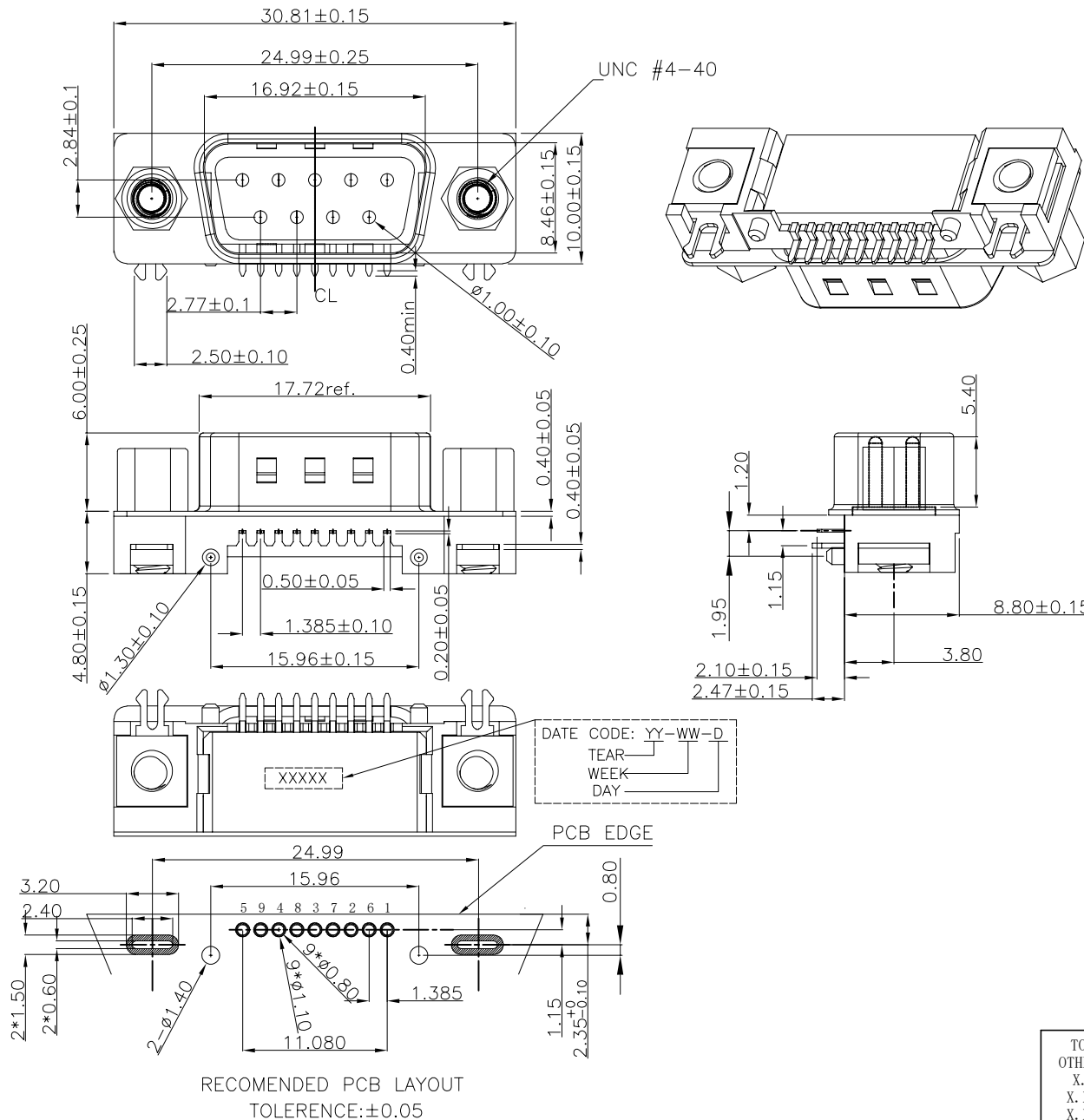
NOTES:

1. MATERIAL:

- 1.1 HOUSING/COVER: THERMOPLASTIC,HIGH TEMP UL94V-0;BLACK
- 1.2 CONTACTS: BRASS
- 1.3 BOARDLOCK AND RIVET :COPPER ALLOY
- 1.4 SHIELD:SPCC
- 1.5 SCREW: CUTTING STEEL

2. FINISH:

- 2.1 CONTACT:
GOLD PLATED ON CONTACT AREA.
80u" MIN. TIN PLATING ON SOLDER TAIL AREA,
50u" MIN. NICKEL UNDER PLATING OVERALL,
 - 2.2 BOARDLOCK:
50u" MIN TIN PLATING ON SOLDER TAILS.
30u" MIN NICKEL UNDERPLATING OVERALL.
 - 2.3 SHIELD:30u" MIN NICKEL PLATED.
 - 2.4 RIVET WITH SCREW :30u"MIN NICKEL PLATED
3. RECOMMENDED PCB THICKNESS : 1.0~1.8mm
4. APPLIED TO WAVE SOLDERING PROCESS



EAST-SLIM090011-005

- 螺丝: _____ 塑胶颜色: _____
- 0:锁螺丝4.8*9.6 003:蓝色
 - 1:无螺丝 005:黑色
 - 2:附螺丝4.8*11.8
 - 3:附螺丝5.8*12.8
 - 4:锁螺丝5.8*12.8
 - 5:锁螺丝4.8*11.8
 - 6:锁螺丝5.8*9.8

TOLERANCES UNLESS OTHERWISE SPECIFIED:		COSTOMER COPY		深圳市东方御业科技有限公司 Tel:0755-2715560 WWW.DFYCONN.COM	
X	---	DRAWN:	Qinkx	2017/09/10	TITL: SLIM 9P公头外壳10.00超薄沉板1.30 鱼叉2.50 (RoHS)
X.X	± 0.38	CHECKED:	Chenl	2017/09/10	PART NO: EAST-SLIM090011-005
X.XX	± 0.25	APPROVED:	Chenl	2017/09/10	UNIT: mm
X.XXX	± 0.20				SCALE: N/A
Angle	±3°				SHEEL: REV.
THESE DRAWING AND SPECIFICATION ARE THE PROPERTY OF Shenzhen Dongfangyue ELECTRONIC CO., LTD.. SHALL NOT BE REPRODUCED.					

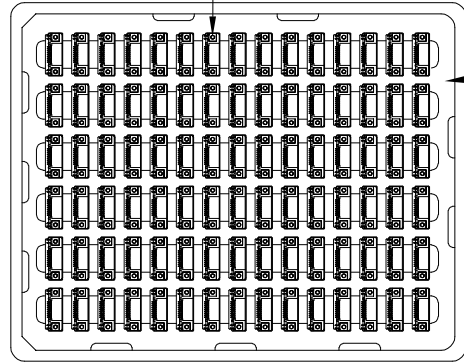
REV.	ECN NO.	MODIFY MATTER	DATE	APPROVED
A		RELEASE TO PRODUCTION		

NOTES :

1. MATERIAL :
 - 1.1 TRAY : PVC
 - 1.2 SHIPPING CARTON : CORRUGATED FIBERBOARD
2. DIMENSION :
 - 2.1 TRAY: L=340, W=265, H=16
 - 2.2 SHIPPING CARTON : L=345, W=270, H=180(INNER DIM)
3. QUANTITY :
 - 3.1 PRIMARY PACKING: 90 PCS/TRAY
 - 3.2 SECONARY PACKING: 14 TRAY/CARTON(1260PCS)
4. WEIGHT :
 - 4.1 NET WEIGHT : XXKg/CARTON
 - 4.2 GROSS WEIGHT : XXKg/CARTON

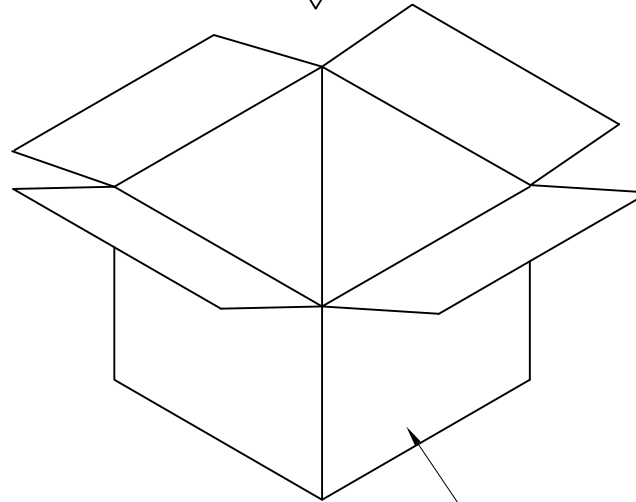
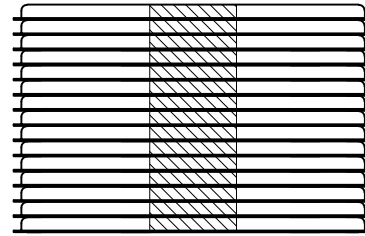


D-SUB ①



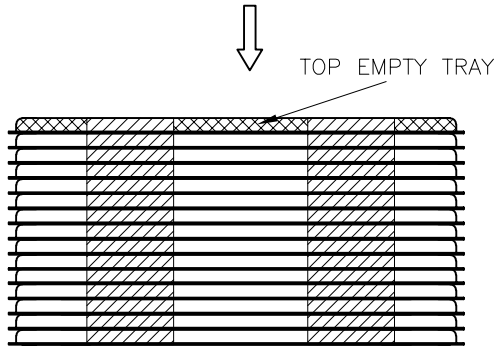
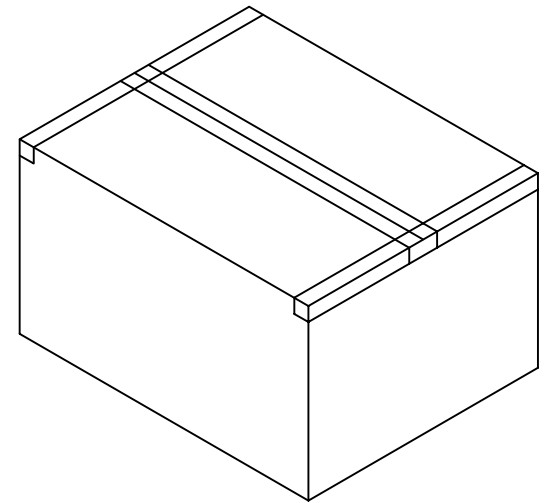
TRAY ②

TRAY(340*265*16)
90PCS/TRAY



CARTON ③

1260 PCS/CARTON



TOP EMPTY TRAY

15 SET TRAY STACK
1260PCS/STACK/CARTON

TOLERANCES UNLESS OTHERWISE SPECIFIED:

X.	---
X.X	± 0.38
X.XX	± 0.25
X.XXX	± 0.20
Angle	± 3°

THESE DRAWING AND SPECIFICATION ARE THE PROPERTY OF Shenzhen Dongfangyue ELECTRONIC CO., LTD.. SHALL NOT BE REPRODUCED.

CUSTOMER COPY

DRAWN:	Qinkx
CHECKED:	Chenl
APPROVED:	Chenl

深圳市东方御业科技有限公司
Tel:0755-2715560 WWW.DFYCONN.COM

TITLE:	SLIM 9P公头沉板单排包装图
PART NO:	EAST-SLIM09
UNIT:	mm
SCALE:	N/A
SHEET:	
REV.	

(RoHS)

www.dfycnn.com