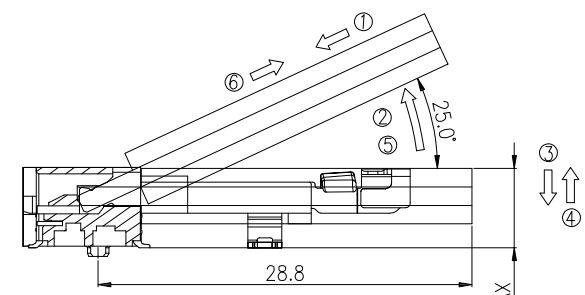
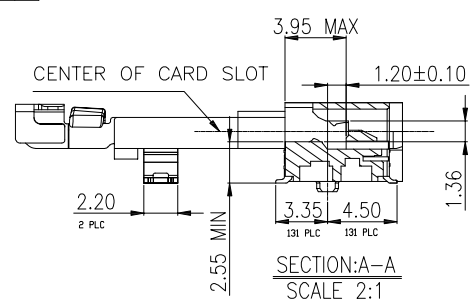
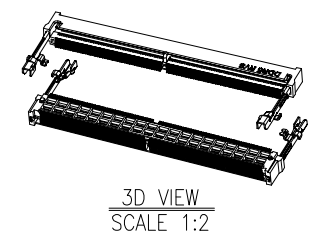
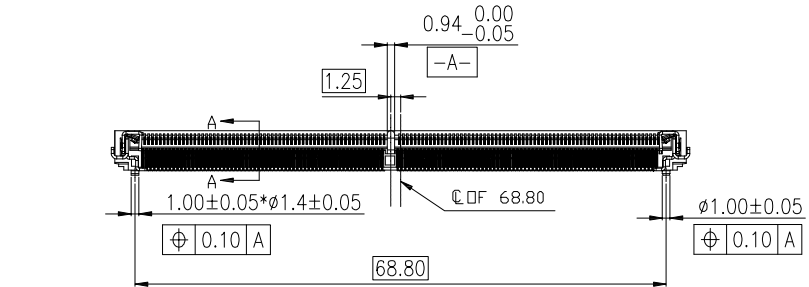
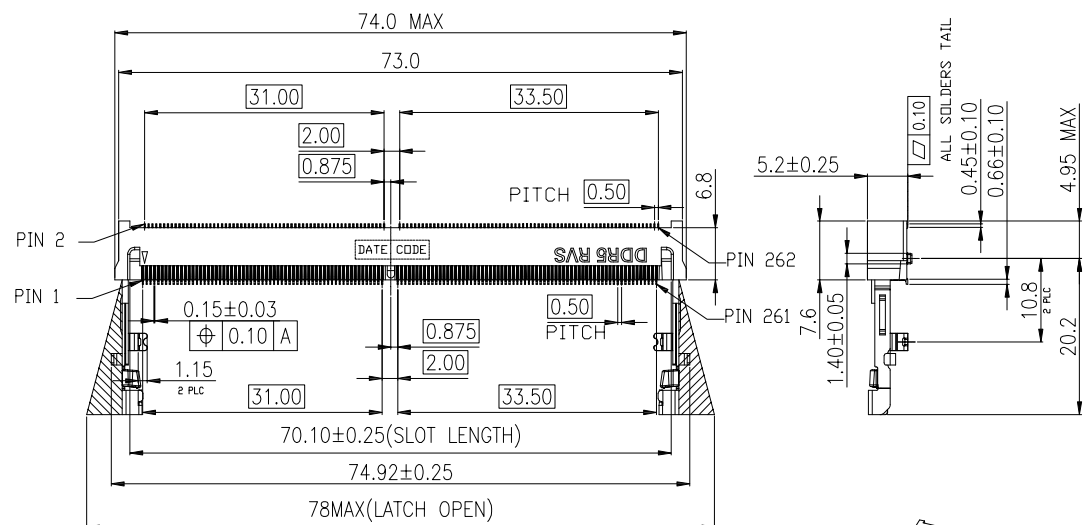


REV.	ECN NO.	MODIFY MATTER	DATE	APPROVED
A		RELEASE TO PRODUCTION		



NOTES:
 1.MATERIAL:
 1.1 HOUSING:LCP,UL94V-0,COLOR:BLACK.
 1.2 CONTACT:PHOSPHOR BRONZE.
 1.3 LATCH:STAINLESS STEEL.
 2. FINISH:
 2.1 CONTACT: 50u" MIN NICKEL UNDERPLATED ALL OVER.
 GOLD FALSH PLATING ON SOLDER TAIL.
 GOLD PLATING (THICKNESS SEE TABLE 1) ON CONTACT AREA.
 2.2 SOLDER PEG:
 50u" MIN NICKEL UNDERPLATED ALL OVER.
 100u" MIN MATTE TIN PLATED ALL OVER.
 3. DATE CODE : YYWWDX
 YY : YEAR (09: 2009)
 WW: WEEK (25: THE 25TH WEEK)
 D : DAY (1~7: SUNDAY~SATURDAY)
 XX : PRODUCTION CODE

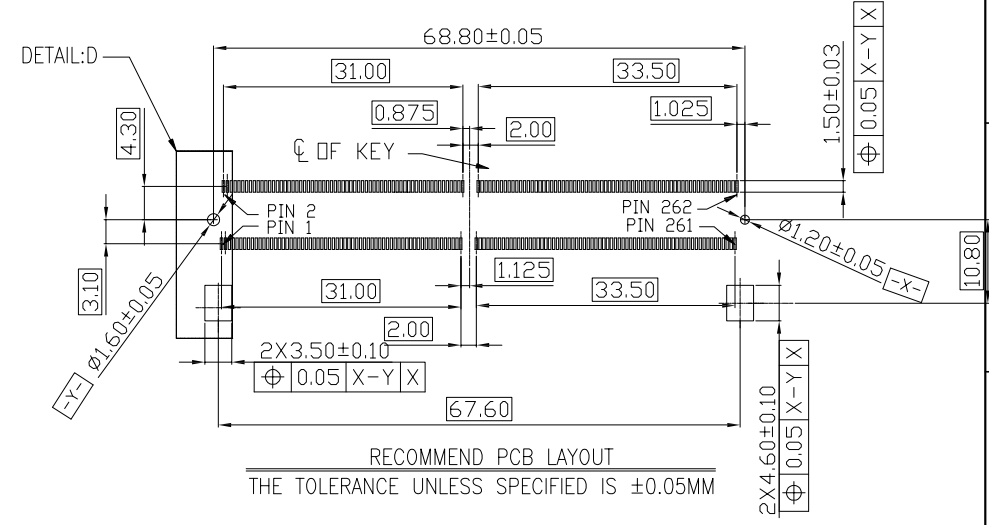
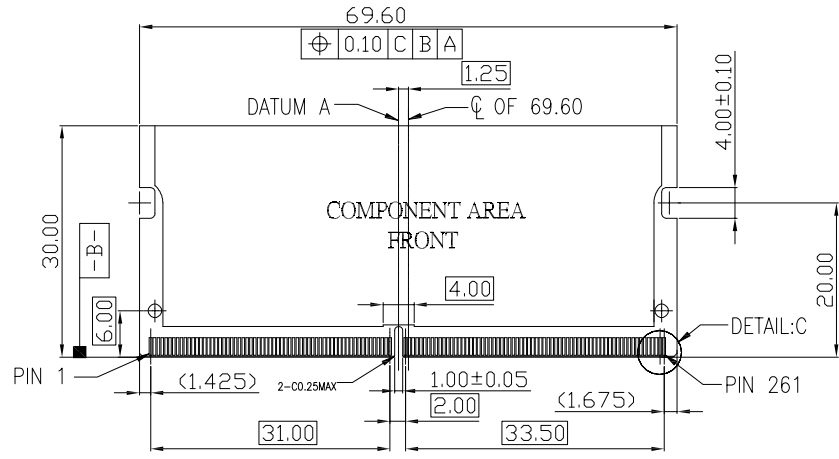
CHNEAST P/N:
EAST-262 02 X 52 K1 X X

No. of Pins: [Diagram showing 52 pins]
 Plating:
 A- Pin Flash:Gold
 B-Pin Gold 3u"
 C-Pin Gold 5u"
 D-Pin Gold 10u"
 E-Pin Gold 15u"
 G-Pin Gold 30u"
 Enviroment Protection:
 R for RoHS
 G for GP
 H for Halogen-free
 Packing:
 A-Tube, B-Reel, C-Tray
 Color:
 Kx:Black, Lx:White

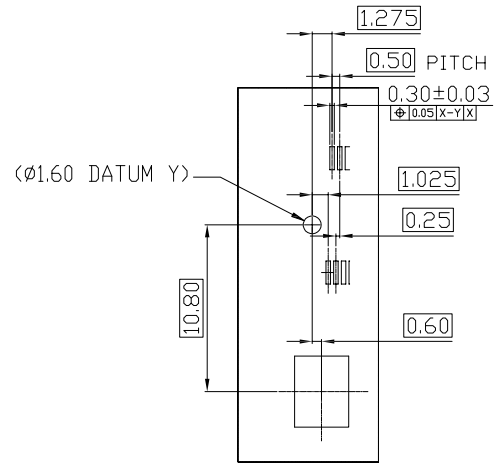
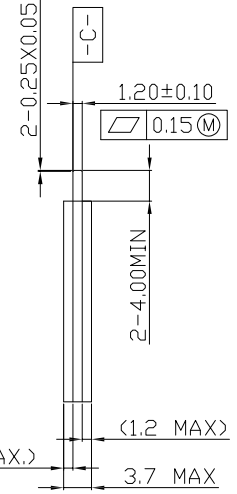
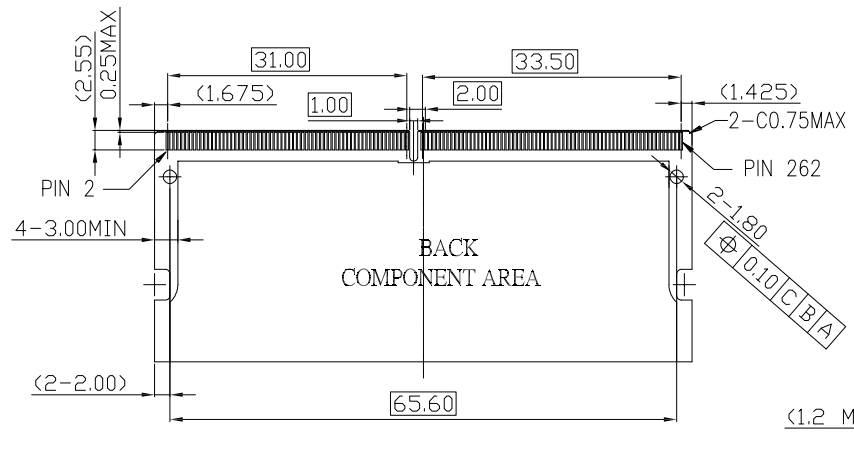
TOLERANCES UNLESS OTHERWISE SPECIFIED: X. --- X.X ± 0.38 X.XX ± 0.25 X.XXX ± 0.10 Angle ±1°		COSTUMER COPY DRAWN: CHENLEI CHECKED: CHENLEI APPROVED: QINKAIXING		深圳市东方御业科技有限公司 www.dfycconn.com tel:0755-27155560 TITL: DDR5 So Dimm 262P 5.2H RVS PART NO: EAST-26202-52 UNIT: mm SCALE: N/A SHEEL: 1:1 REV.	
THESE DRAWING AND SPECIFICATION ARE THE PROPERTY OF Shenzhen Dongfangyuye ELECTRONIC CO., LTD.. SHALL NOT BE REPRODUCED.				(RoHS) EAST-26202-52	

www.dfycconn.com

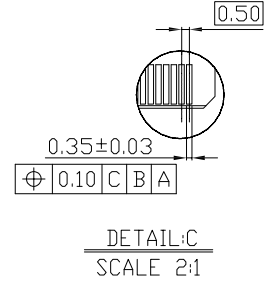
REV.	ECN NO.	MODIFY MATTER	DATE	APPROVED
A		RELEASE TO PRODUCTION		



RECOMMEND PCB LAYOUT
THE TOLERANCE UNLESS SPECIFIED IS ±0.05MM



DETAIL:D
SCALE 2:1

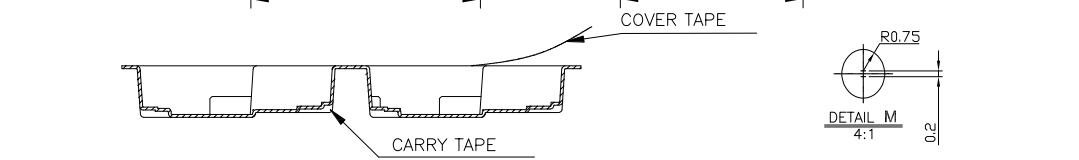
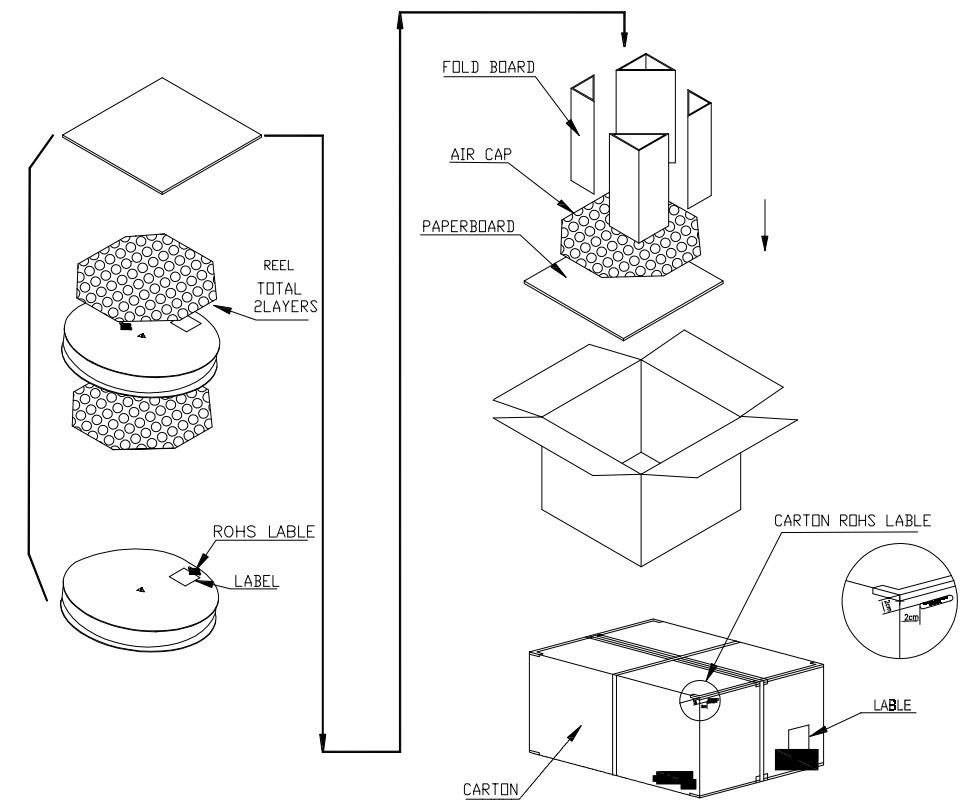
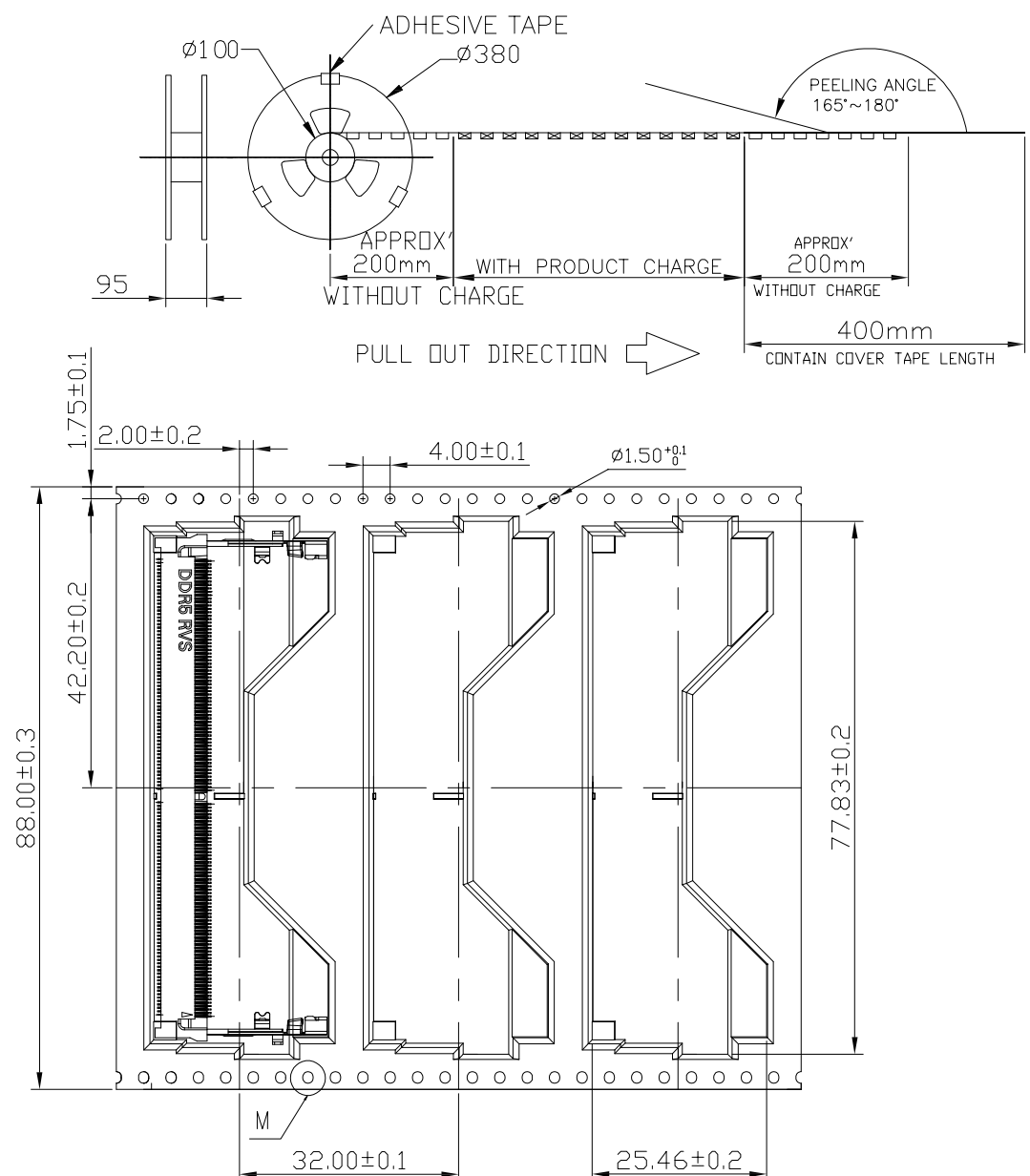


DETAIL:C
SCALE 2:1

TOLERANCES UNLESS OTHERWISE SPECIFIED: X. --- X.X ± 0.38 X.XX ± 0.25 X.XXX ± 0.10 Angle ± 1°	CUSTOMER COPY	深圳市东方御业科技有限公司 www.dfycn.com tel:0755-27155560		
	DRAWN: CHENLEI	2022/09/10	TITL: DDR5 So Dimm 262P 5.2H RVS	
THESE DRAWING AND SPECIFICATION ARE THE PROPERTY OF Shenzhen Dongfangyue ELECTRONIC CO., LTD.. SHALL NOT BE REPRODUCED.	CHECKED: CHENLEI	2022/09/10	PART NO: EAST-26202-52	
	APPROVED: QINKAIXING	2022/09/10	UNIT: mm	SCALE: N/A
			SHEET: 1:1	REV.

www.dfycn.com

REV.	ECN NO.	MODIFY MATTER	DATE	APPROVED
A		RELEASE TO PRODUCTION		



TOLERANCES UNLESS OTHERWISE SPECIFIED:		CUSTOMER COPY		深圳市东方御业科技有限公司	
X.	---	DRAWN:		www.dfycn.com tel:0755-27155560	
X.X	± 0.38	CHENLEI	2022/09/10	TITL: DDR5 So Dimm 262P 5.2H RVS	
X.XX	± 0.25	CHECKED:		PART NO: (RoHS)	
X.XXX	± 0.10	CHENLEI	2022/09/10	EAST-26202-52	
Angle	$\pm 1^{\circ}$	APPROVED:		UNIT: mm	SCALE: N/A
THESE DRAWING AND SPECIFICATION ARE THE PROPERTY OF Shenzhen Dongfangyue ELECTRONIC CO., LTD.. SHALL NOT BE REPRODUCED.		QINKAIXING	2022/09/10	SHEET: 1:1	REV.

PCS/REEL	REEL/CARTON	PCS/CARTON	SEE P/N
400	2	800	PART NUMBER

www.dfycn.com