

NOTES:

- MATERIAL:
 - HOUSING: LCP, UL94V-0, COLOR: BLACK.
 - CONTACT: PHOSPHOR BRONZE.
 - LATCH: STAINLESS STEEL.
- FINISH:
 - CONTACT: 50u" MIN NICKEL UNDERPLATED ALL OVER. GOLD FLASH PLATING ON SOLDER TAIL.
 - SOLDER PEG: 50u" MIN NICKEL UNDERPLATED ALL OVER. 100u" MIN MATTE TIN PLATING ENTIRE OVER.
- DATE CODE : YYWWDLX

YY: YEAR (09: 2009)
 WW: WEEK (25: THE 25TH WEEK)
 D: DAY (1~7: SUNDAY~SATURDAY)
 L: LINE NUMBER OF ASSEMBLY (A: LINE A)
 X: MANUFACTURE CODE

CHNEAST P/N:

EAST-262 01 X 04 XX X X

No. of Pins

Plating:

- A- Pin Flash Gold
- B- Pin Gold 3u"
- C- Pin Gold 5u"
- D- Pin Gold 10u"
- E- Pin Gold 15u"
- G- Pin Gold 30u"

Environment Protection:

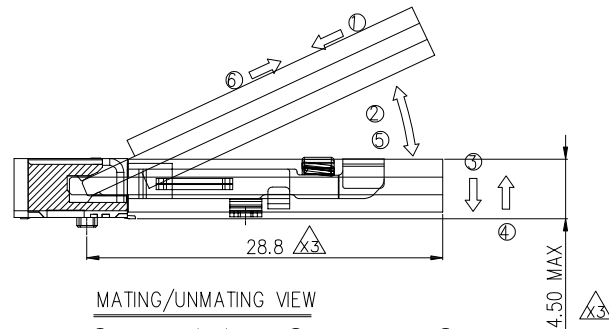
- R for RoHS
- G for GP
- H for Halogen-free

Packing:

A-Tube, B-Reel, C-Tray

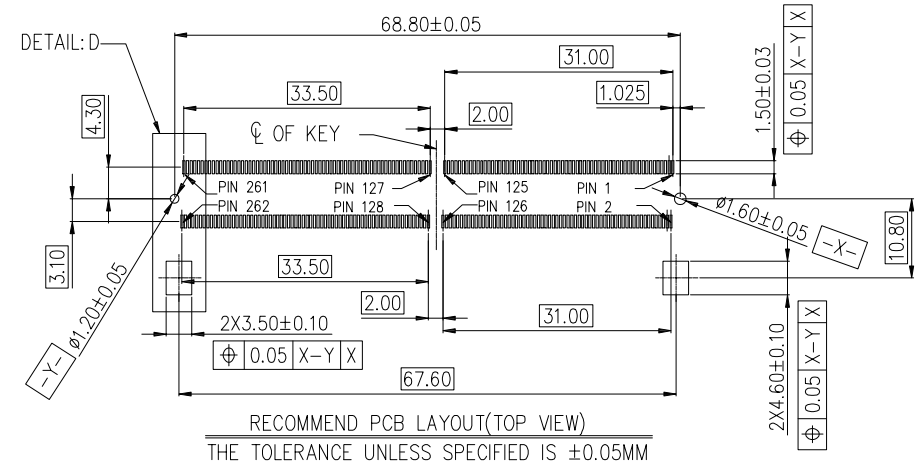
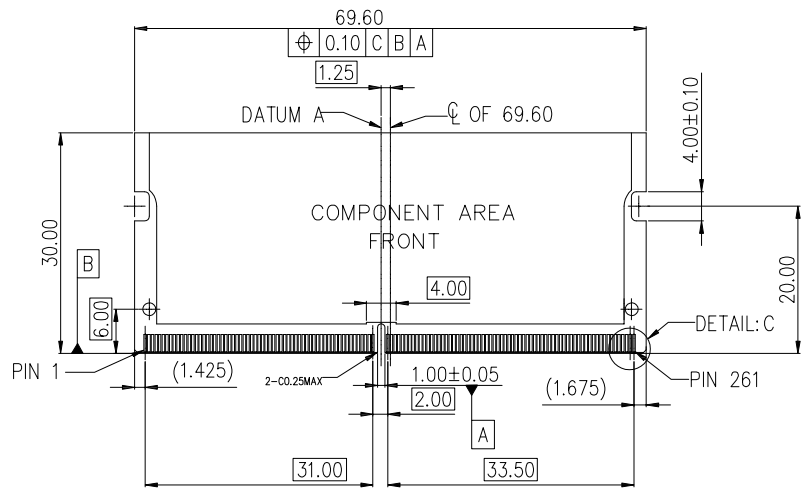
Color:

Kx:Black, Lx:White

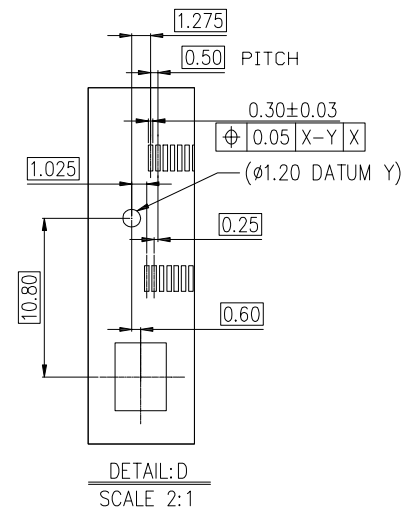
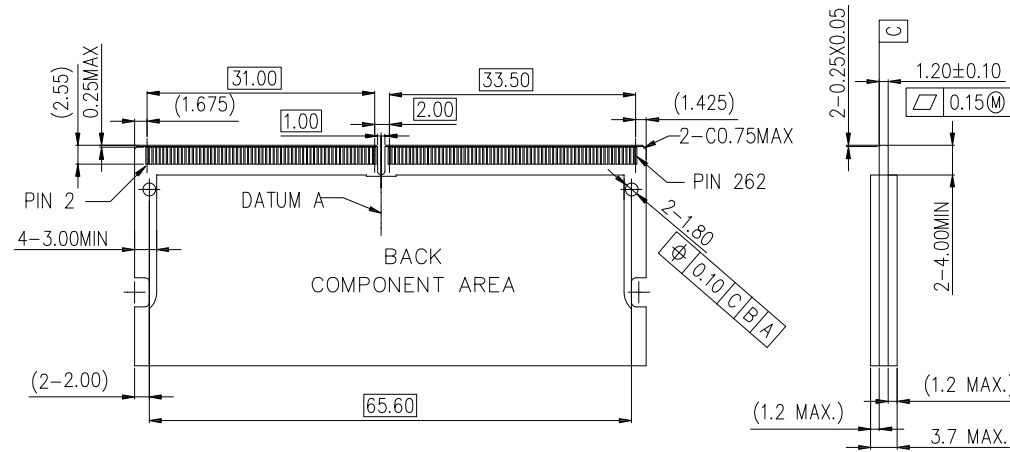


MATING: ① INSERTING (25°) → ② ROTATING → ③ FIXED
 UNMATING: ④ UNFIXED → ⑤ ROTATING → ⑥ WITHDRAWING

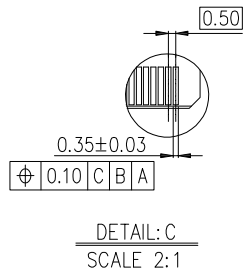
TOLERANCE		深圳市东方御业科技有限公司 WWW.DFYCONN.COM Tel:0755-27155560	TITLE: DDR5 So Dimm 262P 4.0H STD C-DWG			
LINEAR	ANGLES		PART NO.:	SEE TABLE		
X.±0.30	X°.±2.0°		DWG NO.:	EAST-26201-04		
.X±0.25	.X°.±1.0°		UNITS	SCALE	SHEET	REV
.XX±0.20		APPD:	MM	1:1	1 OF 3	A/0
		CHKD:	DRWN: Rocky	DATE: 2014-3-28		



RECOMMEND PCB LAYOUT(TOP VIEW)
THE TOLERANCE UNLESS SPECIFIED IS ±0.05MM

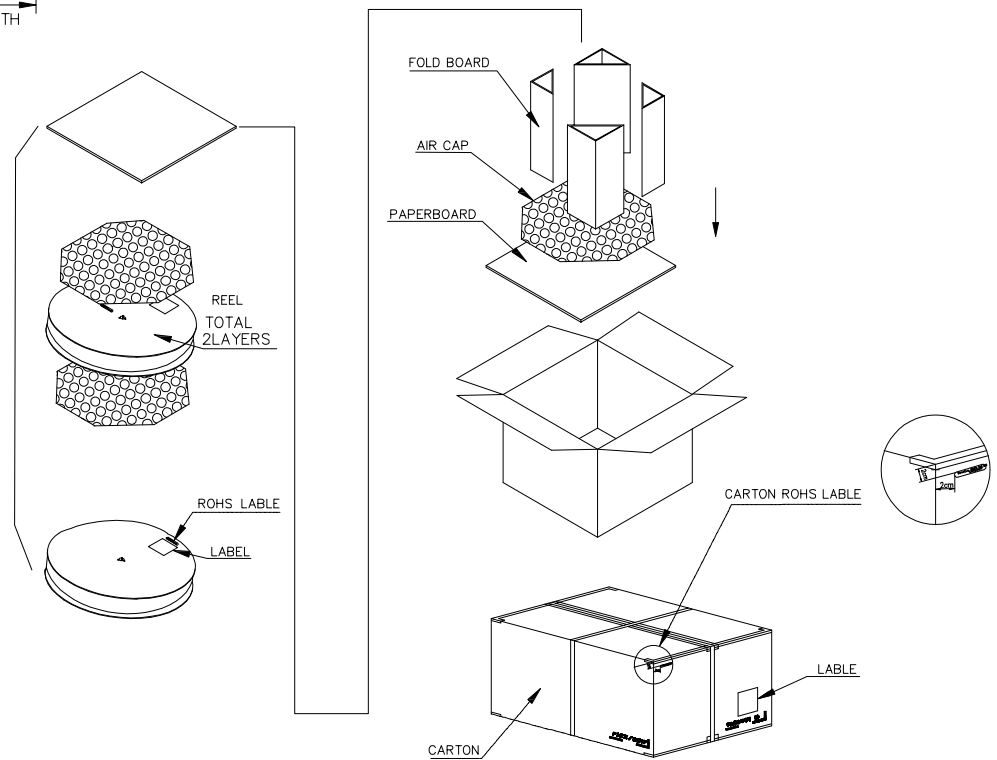
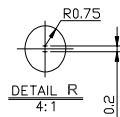
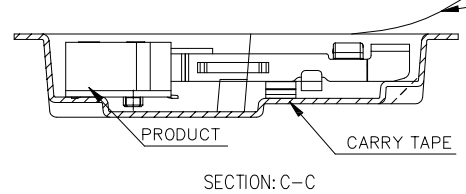
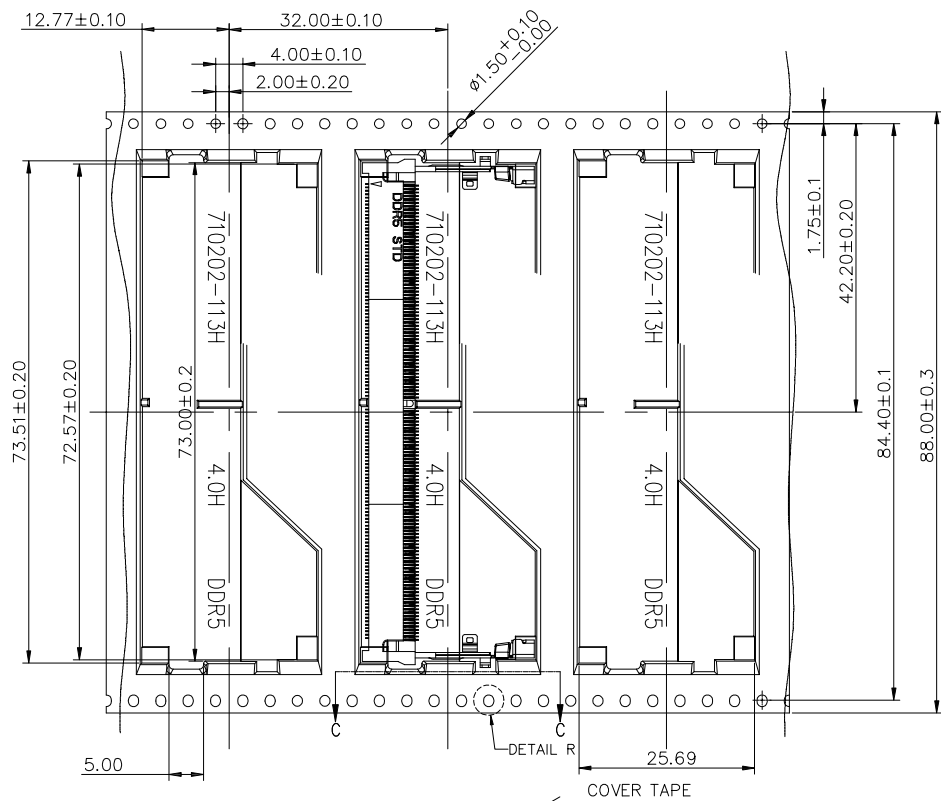
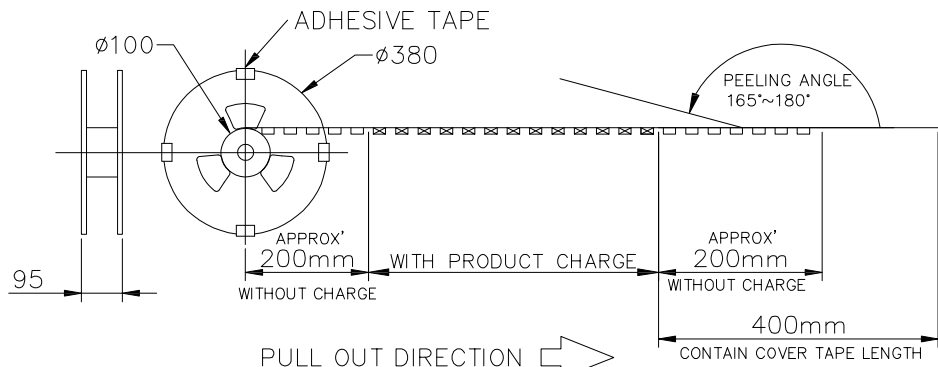


DETAIL:D
SCALE 2:1



DETAIL:C
SCALE 2:1

TOLERANCE		深圳市东方御业科技有限公司 WWW.DFYCONN.COM Tel:0755-27155560	TITLE: DDR5 So Dimm 262P 4.0H STD C-DWG			
LINEAR	ANGLES		PART NO.:	SEE TABLE		
X.±0.30	X°.±2.0°		DWG NO.:	EAST-26201-04		
.X ±0.25	.X°±1.0°		UNITS	SCALE	SHEET	REV
.XX ±0.20		APPD:	MM	1:1	1 OF 3	A/0
		DRWN: Rocky				
		CHKD:				
		DATE: 2014-3-28				



500	2	1000	SEE P/N
PCS/ REEL	REEL/ CARTON	PCS/ CARTON	PART NUMBER

TOLERANCE		深圳市东方御业科技有限公司 WWW.DFYCONN.COM Tel:0755-27155560	TITLE: DDR5 So Dimm 262P 4.0H STD C-DWG			
LINEAR	ANGLES		PART NO.:	SEE TABLE		
X±0.30	X°±2.0°		DWG NO.:	EAST-26201-04		
.X±0.25	.X°±1.0°		UNITS	SCALE	SHEET	REV
.XX±0.20		APPD:	MM	1:1	1 OF 3	A/0
		DRWN: Rocky				
		CHKD:				
		DATE: 2014-3-28				