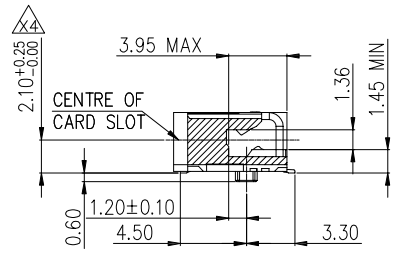
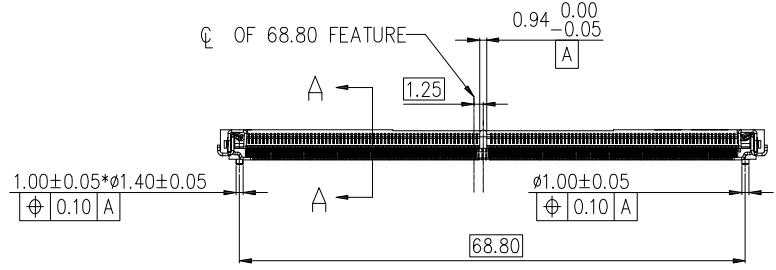


NOTES:

- MATERIAL:
 - HOUSING: LCP, UL94V-0, COLOR: BLACK.
 - CONTACT: PHOSPHOR BRONZE.
 - LATCH: STAINLESS STEEL.
- FINISH:
 - CONTACT: 50u" MIN NICKEL UNDERPLATED ALL OVER. GOLD FLASH PLATING ON SOLDER TAIL. GOLD PLATING (THICKNESS SEE P/N) ON CONTACT AREA.
 - SOLDER PEG: 50u" MIN NICKEL UNDERPLATED ALL OVER. 100u" MIN MATTE TIN PLATING ENTIRE OVER.
- DATE CODE : YYWWDLX
 - YY: YEAR (09: 2009)
 - WW: WEEK (25: THE 25TH WEEK)
 - D: DAY (1~7: SUNDAY~SATURDAY)
 - L: LINE NUMBER OF ASSEMBLY (A: LINE A)
 - X: MANUFACTURE CODE

4. RECOMMENDED STENCIL THICKNESS: 0.12mm Min.



CHNEAST P/N:
EAST-262 01 X 03 XX X X

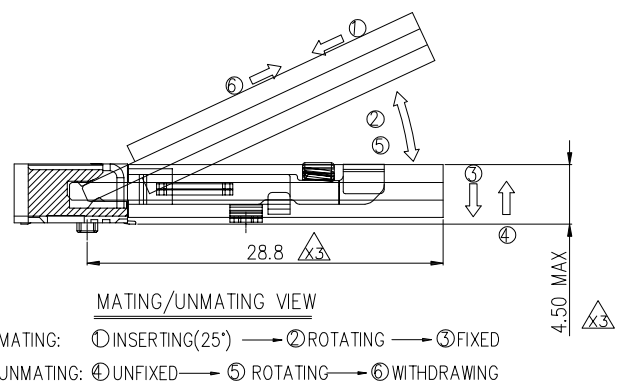
No. of Pins: []

Plating: []

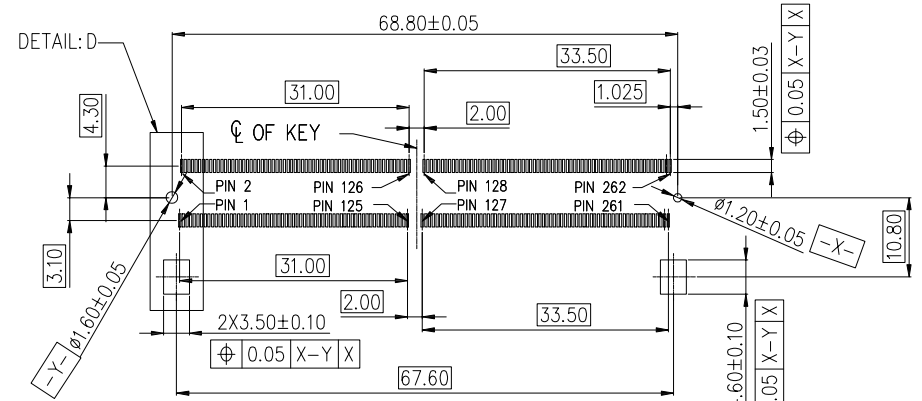
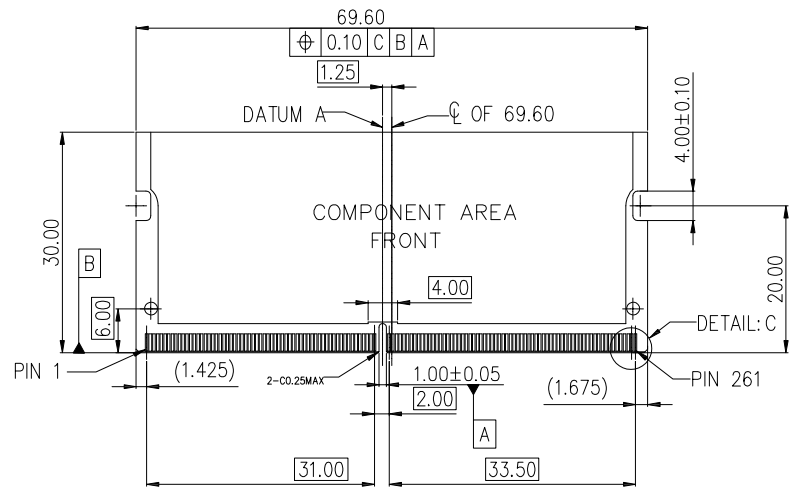
Environment Protection:
 R for RoHS
 G for GP
 H for Halogen-free

Packing:
 A-Tube, B-Reel, C-Tray

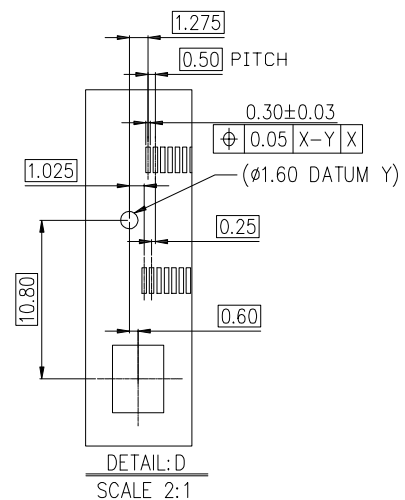
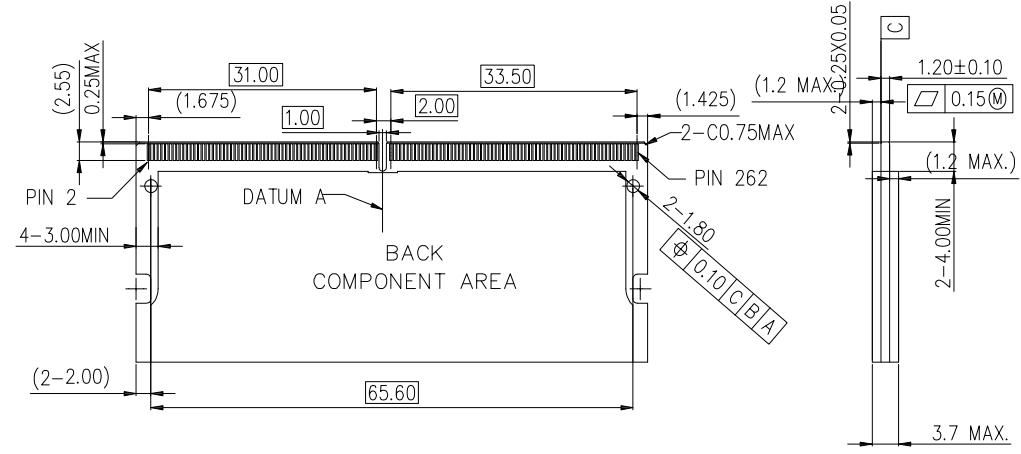
Color:
 Kx:Black, Lx:White



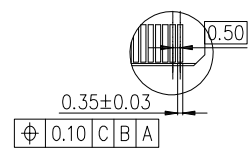
TOLERANCE		深圳市东方御业科技有限公司 WWW.DFYCONN.COM Tel:0755-27155560	TITLE: DDR5 So Dimm 262P 4.OH RVS C-DWG			
LINEAR	ANGLES		PART NO.:	SEE TABLE		
X.±0.30	X°.±2.0°		DWG NO.:	EAST-26201-02		
.X ±0.25	.X° ±1.0°		UNITS	SCALE	SHEET	REV
.XX ±0.20		APPD:	MM	1:1	1 OF 3	A/0
		CHKD:				
		DRWN: Rocky				
		DATE: 2014-3-28				



RECOMMEND PCB LAYOUT(TOP VIEW)
 THE TOLERANCE UNLESS SPECIFIED IS ±0.05MM

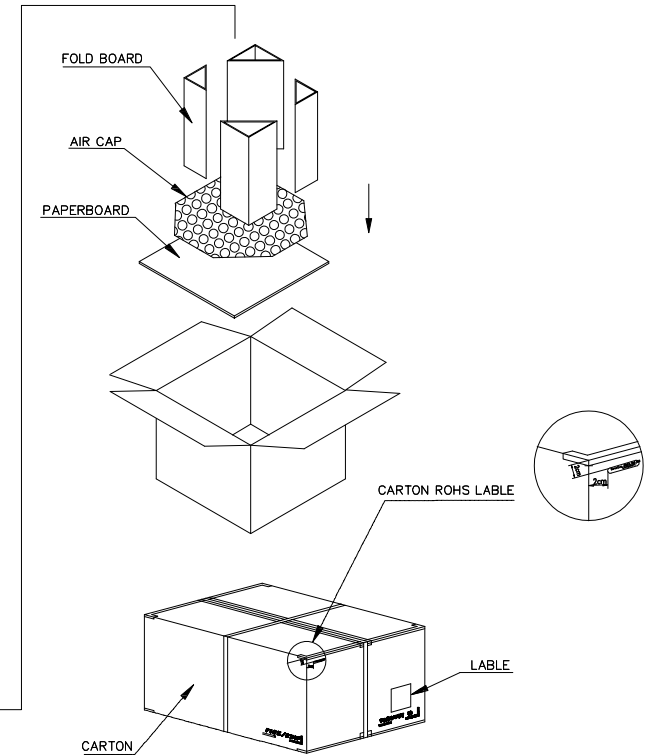
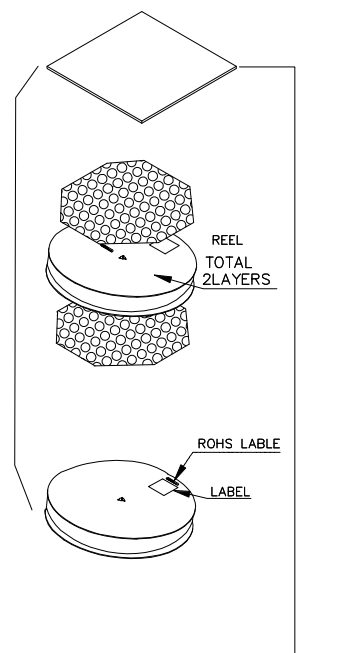
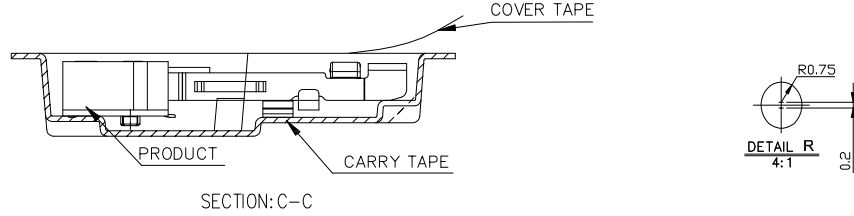
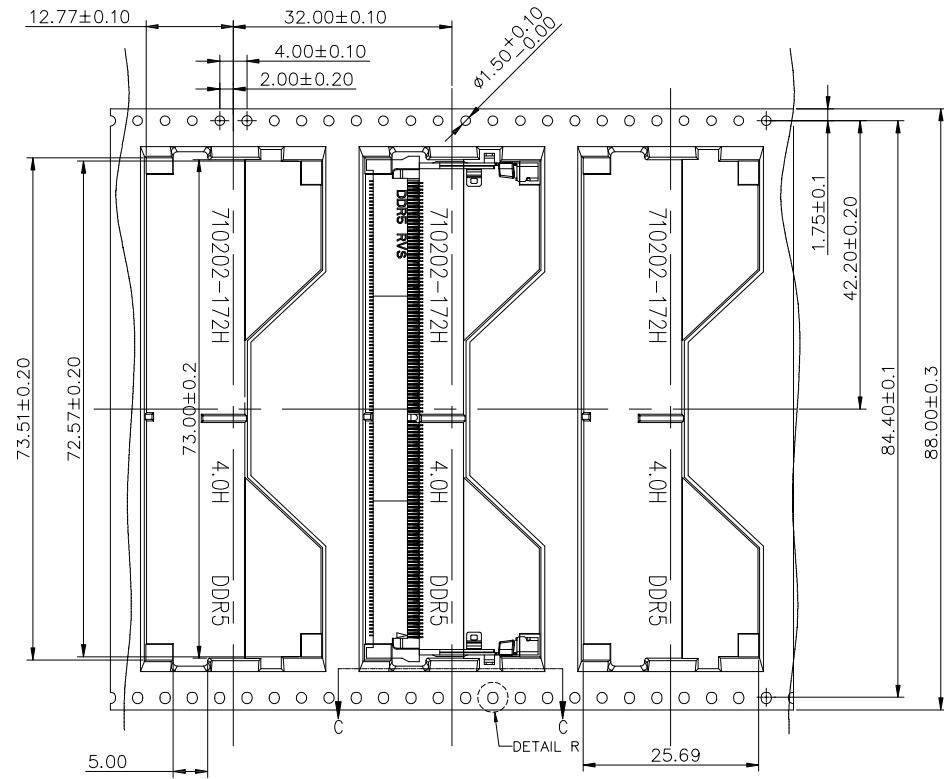
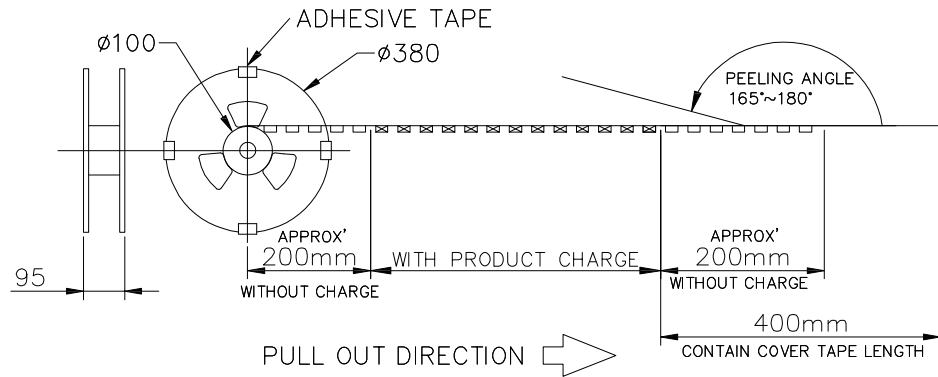


DETAIL: D
 SCALE 2:1



DETAIL: C
 SCALE 2:1

TOLERANCE		深圳市东方御业科技有限公司 WWW.DFYCONN.COM Tel:0755-27155560	TITLE: DDR5 So Dimm 262P 4.0H RVS C-DWG			
LINEAR	ANGLES		PART NO.:	SEE TABLE		
X.±0.30	X°.±2.0°		DWG NO.:	EAST-26201-02		
.X ±0.25	.X°±1.0°		UNITS	SCALE	SHEET	REV
.XX ±0.20		APPD:	MM	1:1	1 OF 3	
		DRWN: Rocky			A/0	
		CHKD:	DATE: 2014-3-28			



500	2	1000	SEE P/N
PCS/REEL	REEL/CARTON	PCS/CARTON	PART NUMBER

TOLERANCE		深圳市东方御业科技有限公司 WWW.DFYCONN.COM Tel:0755-27155560	TITLE: DDR5 So Dimm 262P 4.0H RVS C-DWG				
LINEAR	ANGLES		PART NO.: SEE TABLE				
X.±0.30	X°.±2.0°		DWG NO.: EAST-26201-02				
.X±0.25	.X°.±1.0°		APPD:	DRWN: Rocky	UNITS	SCALE	SHEET
.XX±0.20		CHKD:	DATE: 2014-3-28	MM	1:1	1 OF 3	A/0