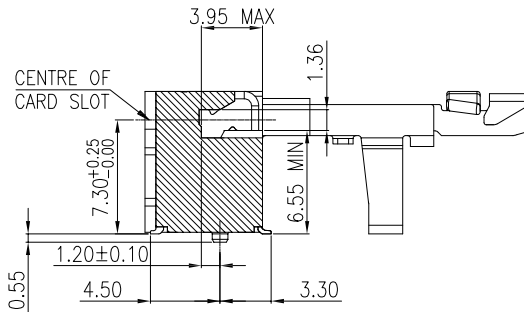
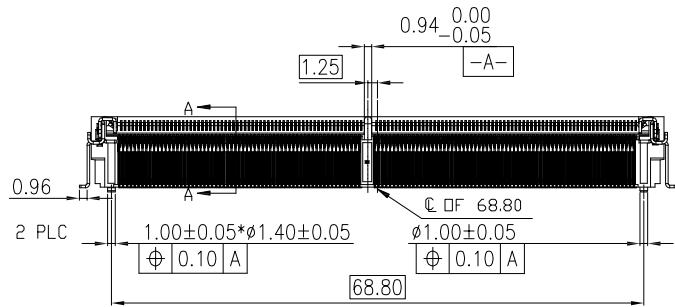


- NOTES:
- MATERIAL:
 - HOUSING:LCP,UL94V-0,COLOR:BLACK.
 - CONTACT:PHOSPHOR BRONZE.
 - LATCH:STAINLESS STEEL.
 - FINISH:
 - CONTACT:
 - 50u" MIN NICKEL UNDERPLATED ALL OVER.
 - GOLD FLASH PLATING ON SOLDER TAIL.
 - GOLD PLATING (THICKNESS SEE P/N) ON CONTACT AREA.
 - SOLDER PEG:
 - 50u" MIN NICKEL UNDERPLATED ALL OVER.
 - 100u" MIN MATTE TIN PLATING ENTIRE OVER.
 - DATE CODE :YYWWDLX
 - YY: YEAR (09: 2009)
 - WW: WEEK (25: THE 25TH WEEK)
 - D: DAY (1~7: SUNDAY~SATURDAY)
 - L: LINE NUMBER OF ASSEMBLY (A: LINE A)
 - X: MANUFACTURE CODE
 - RECOMMENDED STENCIL THICKNESS:0.12mm Min.
 - UNSPECIFIED TOLERANCE:X.±0.5 .X±0.35 .XX±0.25 .XXX±0.15



CHNEAST P/N:
EAST-262 02 X 90 K1 X X

No. of Pins

Plating:

- A- Pin Flash Gold
- B- Pin Gold 3u"
- C- Pin Gold 5u"
- D- Pin Gold 10u"
- E- Pin Gold 15u"
- G- Pin Gold 30u"

Environment Protection:

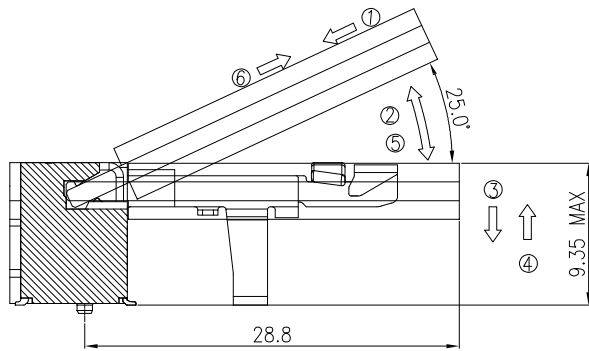
- R for RoHS
- G for GP
- H for Halogen-free

Packing:

- A-Tube, B-Reel, C-Tray

Color:

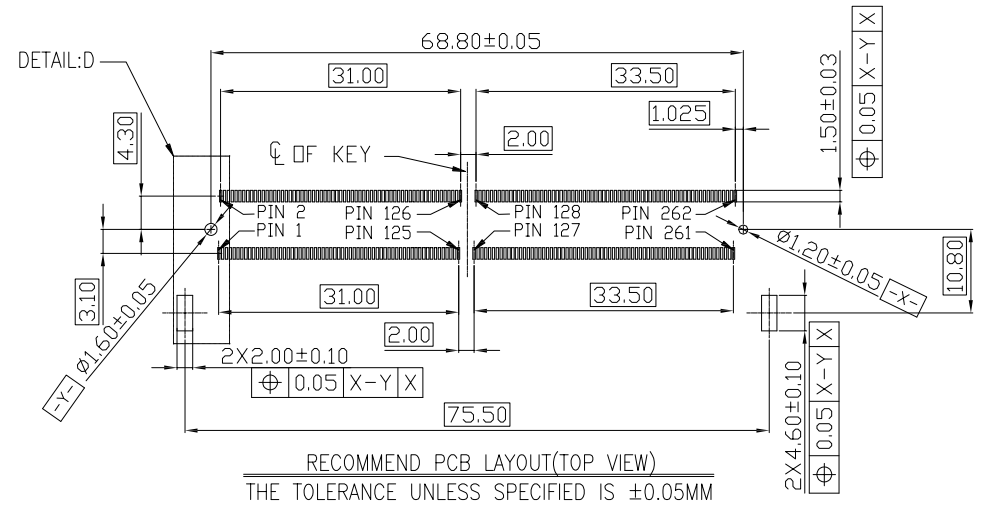
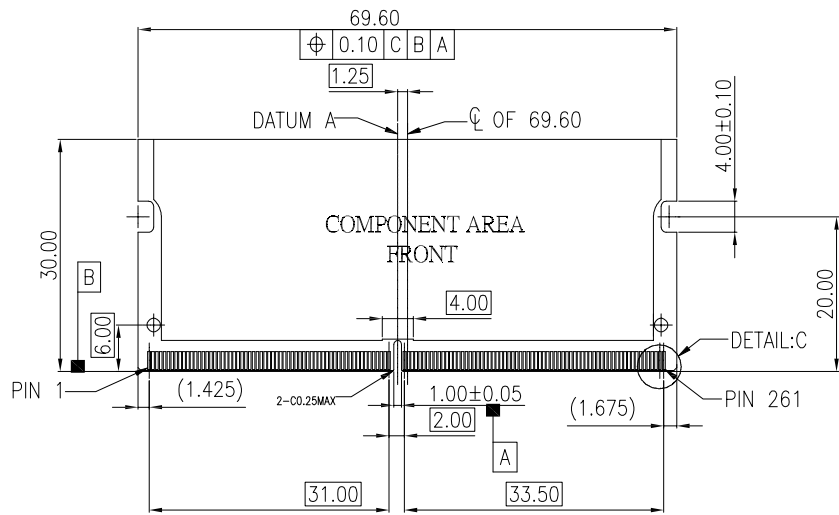
Kx:Black, Lx:White



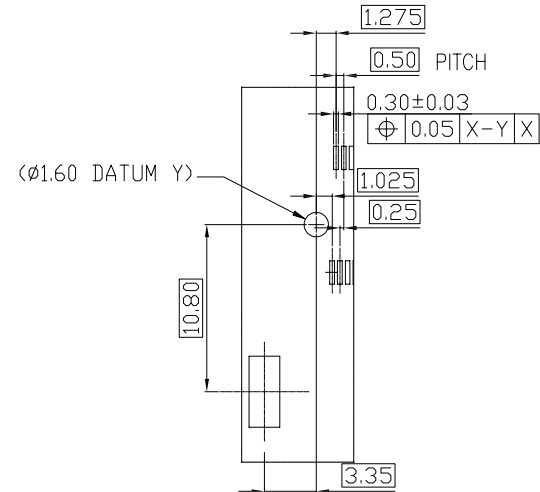
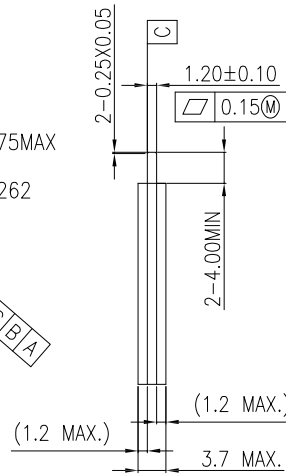
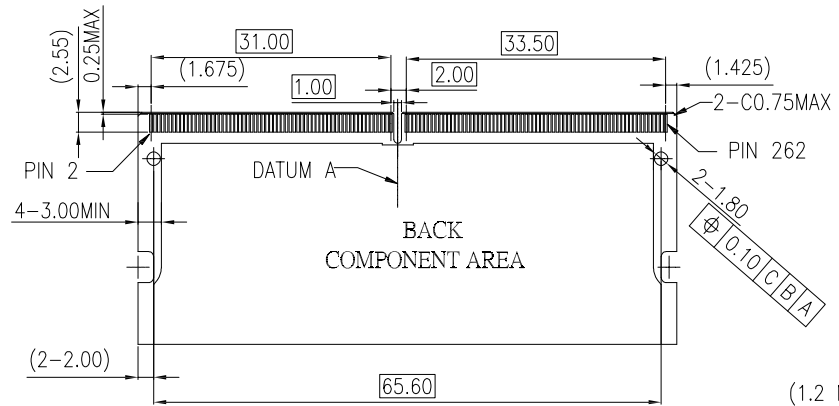
- MATING: ① INSERTING(25°) → ② ROTATING → ③ FIXED
 UNMATING: ④ UNFIXED → ⑤ ROTATING → ⑥ WITHDRAWING

TOLERANCE		深圳市东方御业科技有限公司 WWW.DFYCONN.COM Tel:0755-27155560	TITLE: DDR5 So Dimm 262P 9.0H RVS			
LINEAR	ANGLES		PART NO.:	SEE TABLE		
X.±0.30	X°.±2.0°		DWG NO.:	EAST-26202-90		
.X ±0.25	.X°±1.0°		UNITS	SCALE	SHEET	REV
.XX ±0.20		APPD:	MM	1:1	1 OF 3	A/0
		CHKD:	DRWN: Rocky	DATE: 2014-3-28		

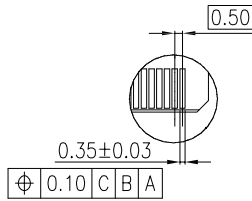
REV	LTR	DESCRIPTION	DATE	DWN
-----	-----	-------------	------	-----



RECOMMEND PCB LAYOUT(TOP VIEW)
THE TOLERANCE UNLESS SPECIFIED IS ±0.05MM

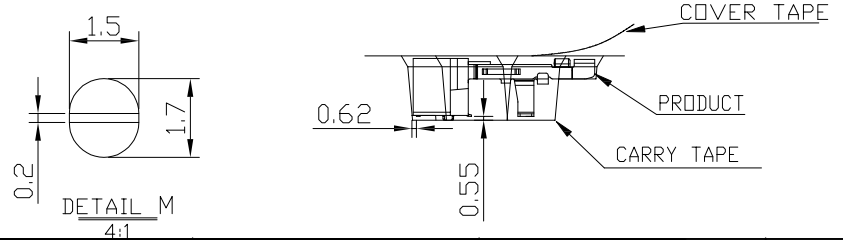
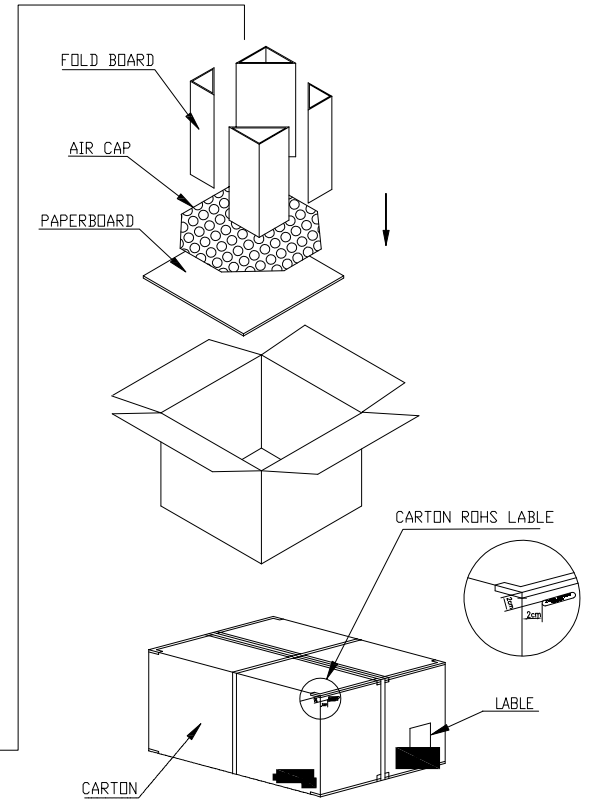
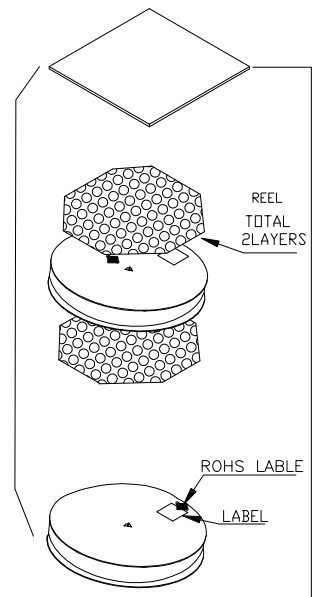
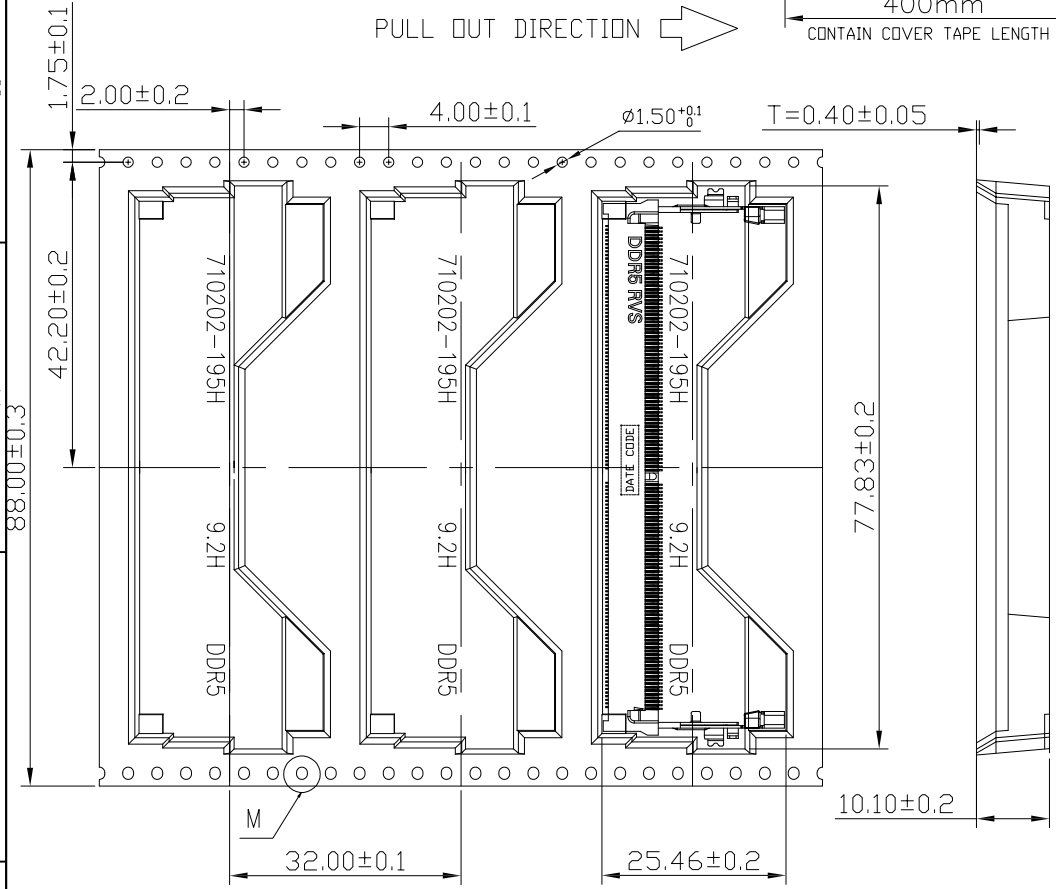
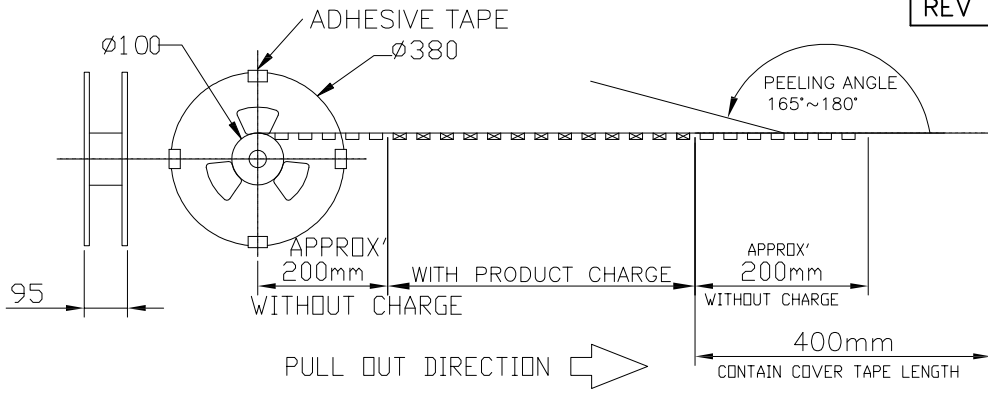


DETAIL:D
SCALE 2:1



DETAIL:C
SCALE 2:1

TOLERANCE		深圳市东方御业科技有限公司 WWW.DFYCONN.COM Tel:0755-27155560	TITLE: DDR5 So Dimm 262P 9.0H RVS				
LINEAR	ANGLES		PART NO.: SEE TABLE				
X.±0.30	X°.±2.0°		DWG NO.: EAST-20202-90				
.X ±0.25	.X°±1.0°		APPD:	DRWN: Rocky	UNITS	SCALE	SHEET
.XX ±0.20		CHKD:	DATE: 2014-3-28	MM	1:1	1 OF 3	A/0



TOLERANCE	
LINEAR	ANGLES
X.±0.30	X°.±2.0°
.X±0.25	.X°.±1.0°
.XX±0.20	

深圳市东方御业科技有限公司
 WWW.DFYCONN.COM Tel:0755-27155560
 APPD:
 CHKD:
 DRWN: Rocky
 DATE: 2014-3-28

250	2	500	SEE P/N
PCS/REEL	REEL/CARTON	PCS/CARTON	PART NUMBER
TITLE: DDR5 So Dimm 262P 9.0H RVS			
PART NO.: SEE TABLE			
DWG NO.: EAST-20202-90			
UNITS	SCALE	SHEET	REV
MM	1:1	1 OF 3	A/0