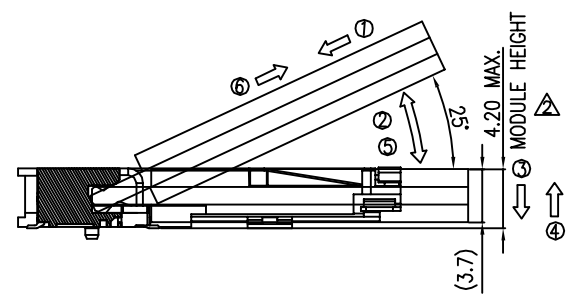
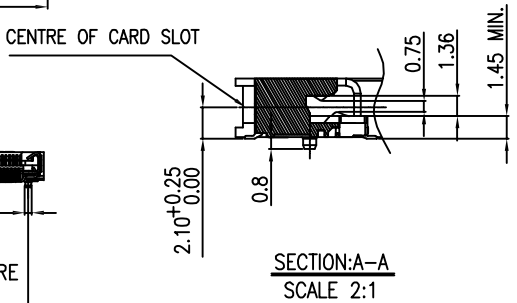
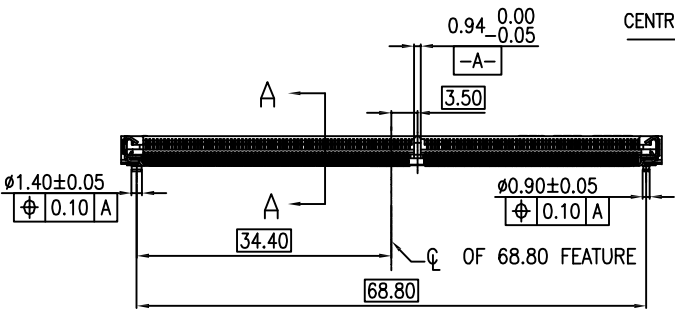


- NOTES:
- MATERIAL:
 - HOUSING:HIGH TEMPERATURE THERMOPLASTIC, UL94V-0,COLOR:BLACK.
 - CONTACT:COPPER ALLOY.
 - SOLDER PEG AND LATCH:STAINLESS STEEL.
 - FINISH:
 - CONTACT: 50u" MIN NICKEL UNDERPLATED ALL OVER. GOLD FALSH PLATING ON SOLDER TAIL. GOLD PLATING (THICKNESS SEE TABLE) ON CONTACT AREA.
 - SOLDER PEG: 50u" MIN NICKEL UNDERPLATED ALL OVER. AU 2u" MAX ON SOLDER TAIL.



MATING/UNMATING VIEW
SCALE 2:1

MATING: ① INSERTING(30°) — ② ROTATING — ③ FIXED
UNMATING: ④ UNFIXED — ⑤ ROTATING — ⑥ WITHDRAWING

CHNEAST P/N:
EAST-260 01 X 03 XX X X

No. of Pins

Plating:

- A- Pin Flash.Gold
- B-Pin Gold 3u"
- C-Pin Gold 5u"
- D-Pin Gold 10u"
- E-Pin Gold 15u"
- G-Pin Gold 30u"

Environment Protection:

- R for RoHS
- G for GP
- H for Halogen-free

Packing:

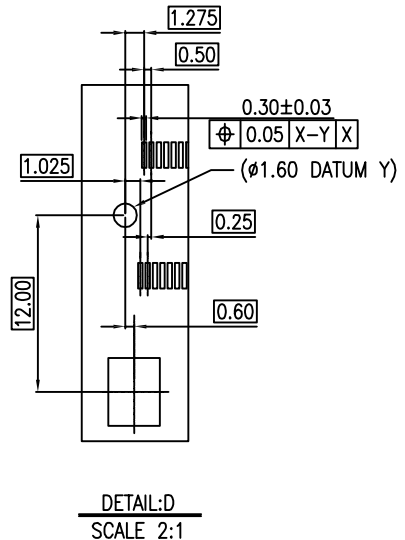
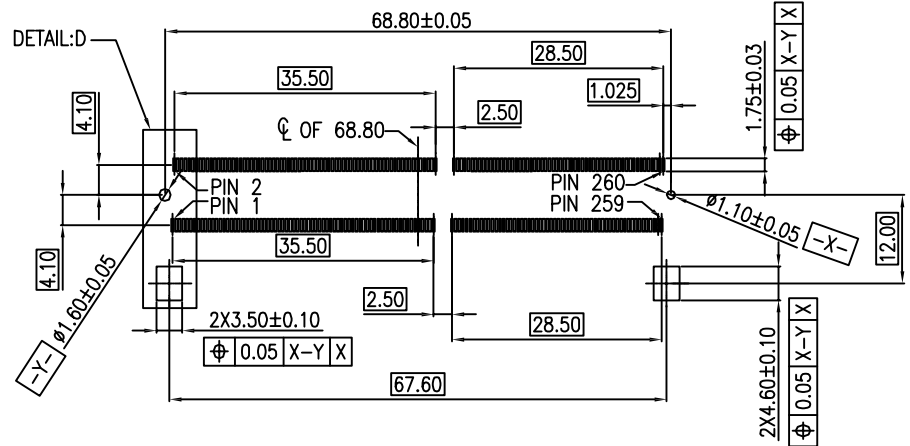
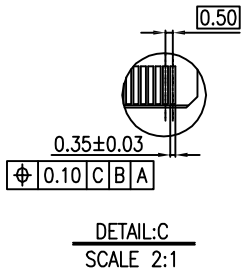
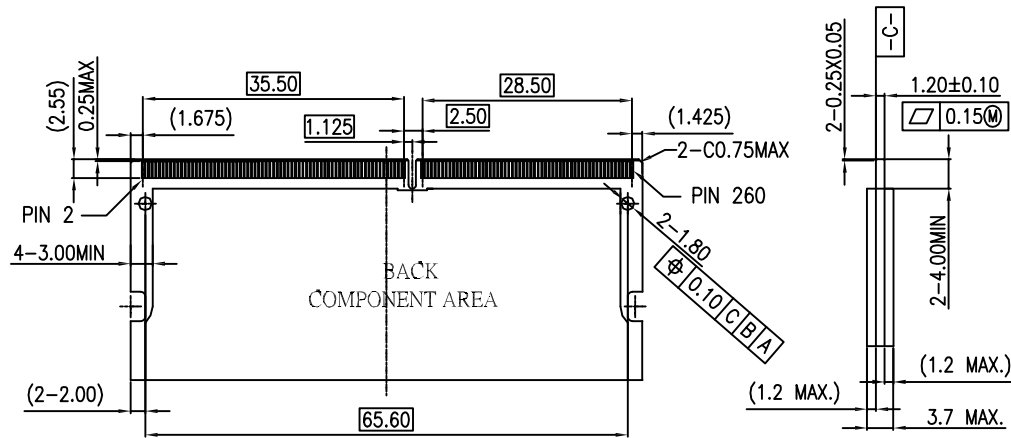
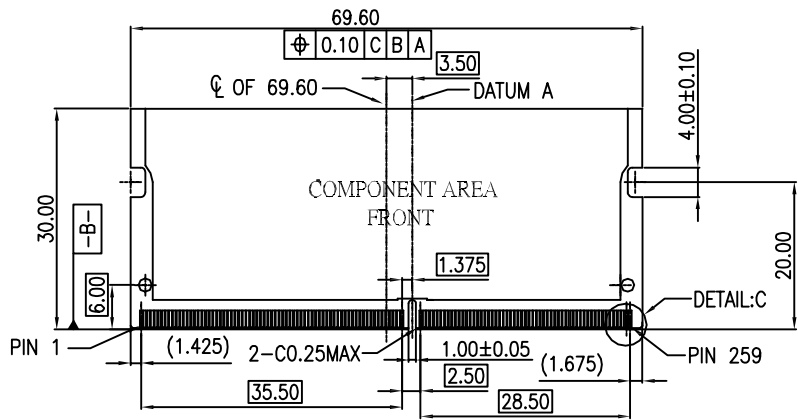
A-Tube, B-Reel, C-Tray

Color:

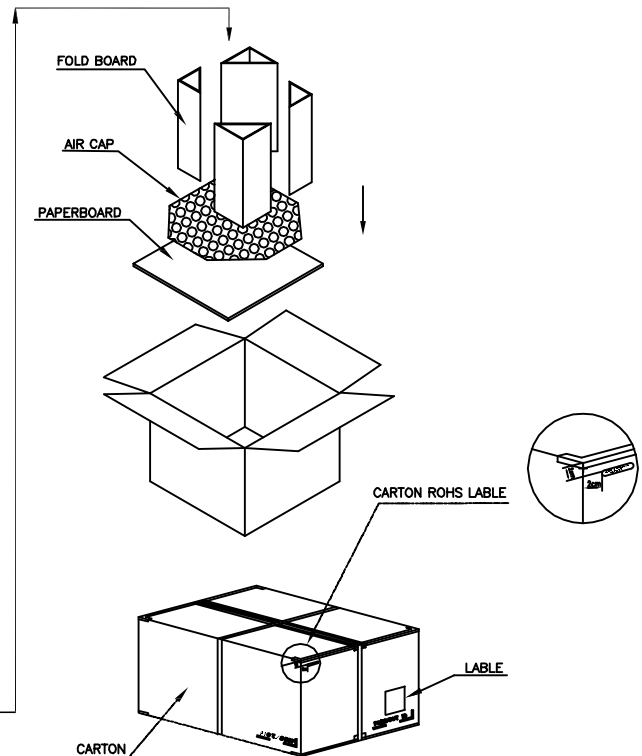
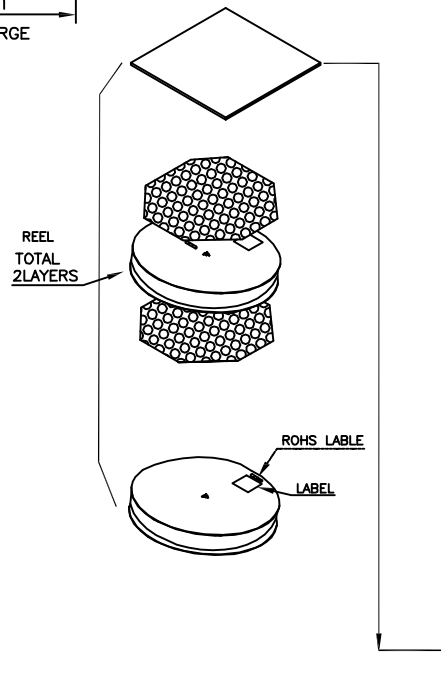
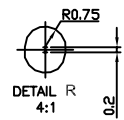
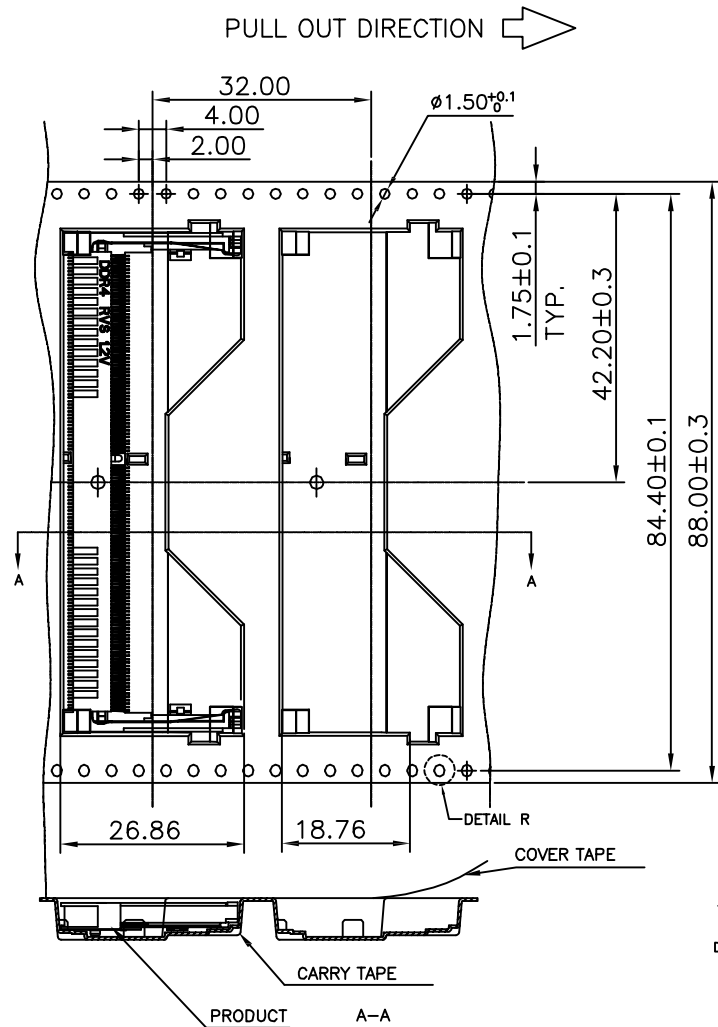
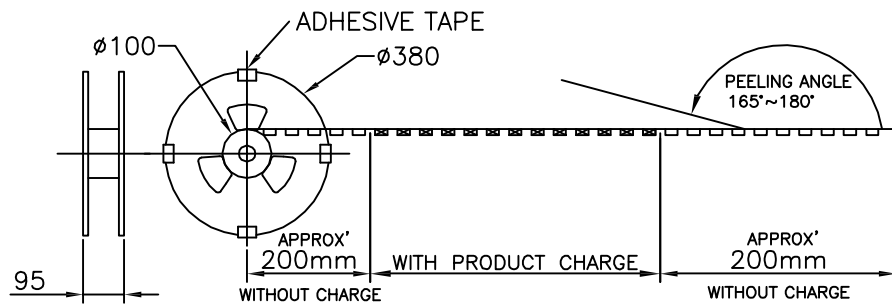
Kx:Black, Lx:White

TOLERANCE		深圳市东方御业科技有限公司 ShenZhen CHNEAST Technology co.,Ltd	TITLE: DDR4 So Dimm 260P 4.0H RVS C-DWG			
LINEAR	ANGLES		PART NO.:	SEE TABLE		
X.±0.30	X°.±2.0°		DWG NO.:	EAST-26001-03		
.X ±0.25	.X°±1.0°		UNITS	SCALE	SHEET	REV
.XX ±0.20		APPD:	MM	1:1	1 OF 3	A/0
		CHKD:	DRWN: Rocky	DATE: 2014-3-28		

REV	LTR	DESCRIPTION	DATE	DWN
-----	-----	-------------	------	-----



TOLERANCE		深圳市东方御业科技有限公司 ShenZhen CHNEAST Technology co.,Ltd	TITLE: DDR4 So Dimm 280P 4.0H RVS C-DWG			
LINEAR	ANGLES		PART NO.: SEE TABLE			
X.±0.30	X°.±2.0°		DWG NO.: EAST-28001-03			
.X ±0.25	.X°±1.0°		APPD:	DRWN: Rocky	UNITS	SCALE
.XX ±0.20		CHKD:	DATE: 2014-3-28	MM	1:1	
				SHEET	REV	
				2 OF 3	A/0	



450	2	900	
PCS/REEL	REEL/CARTON	PCS/CARTON	PART NUMBER

TOLERANCE		TITLE:	
LINEAR	ANGLES	DDR4 So Dimm 260P	
X.±0.30	X°.±2.0°	4.0H RVS C-DWG	
.X±0.25	.X°.±1.0°	PART NO.: SEE TABLE	
.XX±0.20		DWG NO.: EAST-26001-03	
APPD:	DRWN: Rocky	UNITS	SCALE
CHKD:	DATE: 2014-3-28	MM	1:1
		SHEET	REV
		3 OF 3	A/0

深圳市东方御业科技有限公司
ShenZhen CHNEAST Technology co.,Ltd