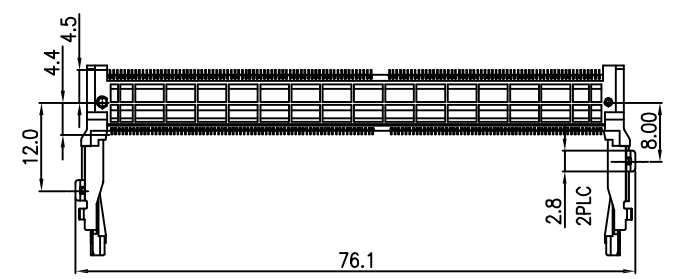
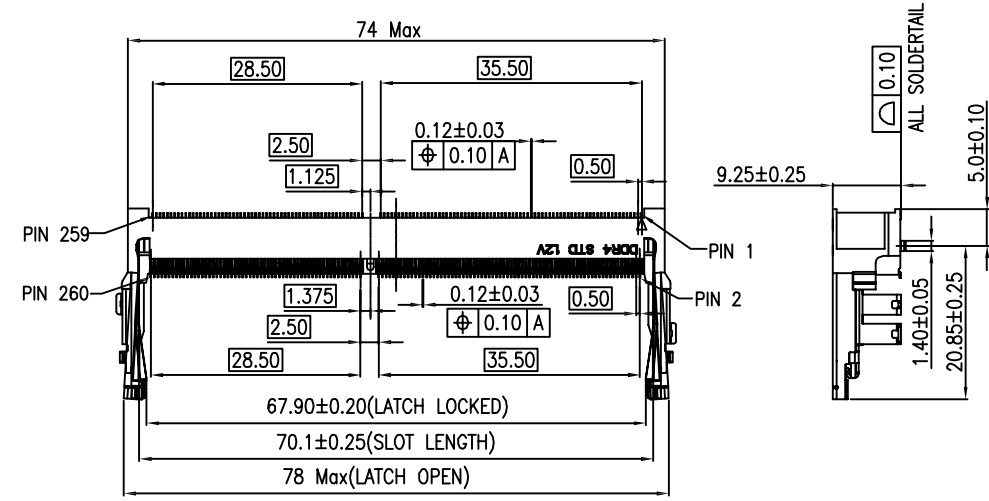
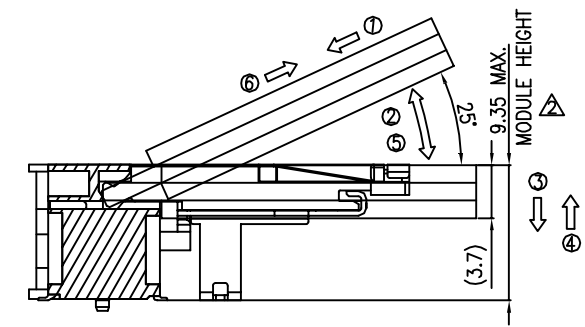
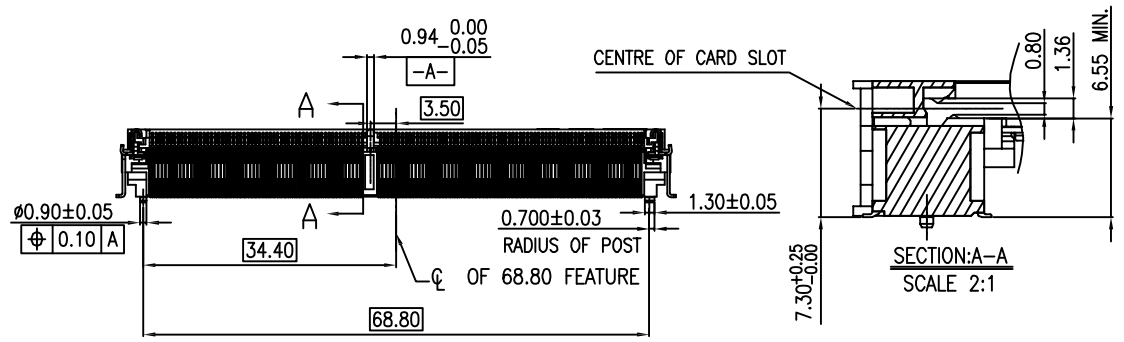


REV	LTR	DESCRIPTION	DATE	DWN
-----	-----	-------------	------	-----



- NOTES:
- MATERIAL:
 - HOUSING: HIGH TEMPERATURE THERMOPLASTIC, UL94V-0, COLOR: BLACK.
 - CONTACT: COPPER ALLOY.
 - SOLDER PEG AND LATCH: STAINLESS STEEL.
 - FINISH:
 - CONTACT: 50u" MIN NICKEL UNDERPLATED ALL OVER. GOLD FLASH PLATING ON SOLDER TAIL. GOLD PLATING (THICKNESS SEE TABLE) ON CONTACT AREA.
 - SOLDER PEG: 50u" MIN NICKEL UNDERPLATED ALL OVER. AU 2u" MAX ON SOLDER TAIL.
 - PART NUMBER DESCRIPTION:



MATING/UNMATING VIEW
SCALE 2:1

MATING: ① INSERTING(30°) — ② ROTATING — ③ FIXED
UNMATING: ④ UNFIXED — ⑤ ROTATING — ⑥ WITHDRAWING

CHNEAST P/N:

EAST-260 01 X 08 XX X X

No. of Pins

Plating:

- A- Pin Flash.Gold
- B-Pin Gold 3u"
- C-Pin Gold 5u"
- D-Pin Gold 10u"
- E-Pin Gold 15u"
- G-Pin Gold 30u"

Environment Protection:

- R for RoHS
- G for GP
- H for Halogen-free

Packing:

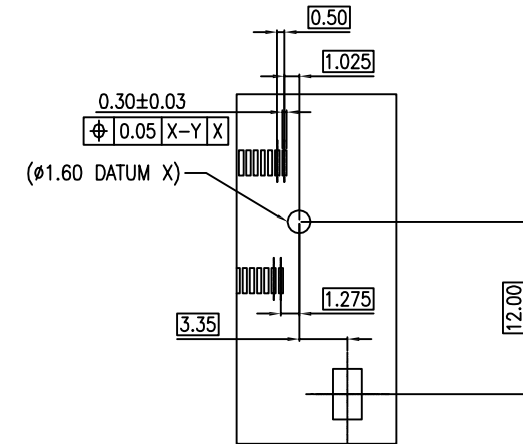
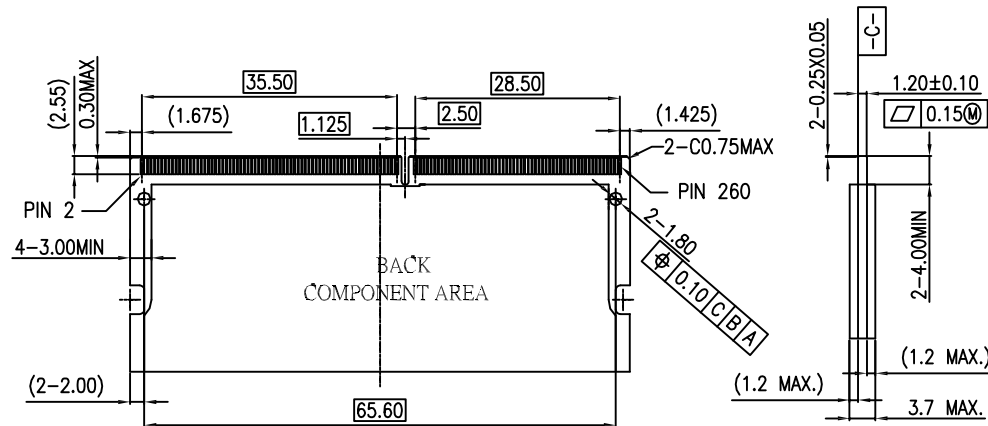
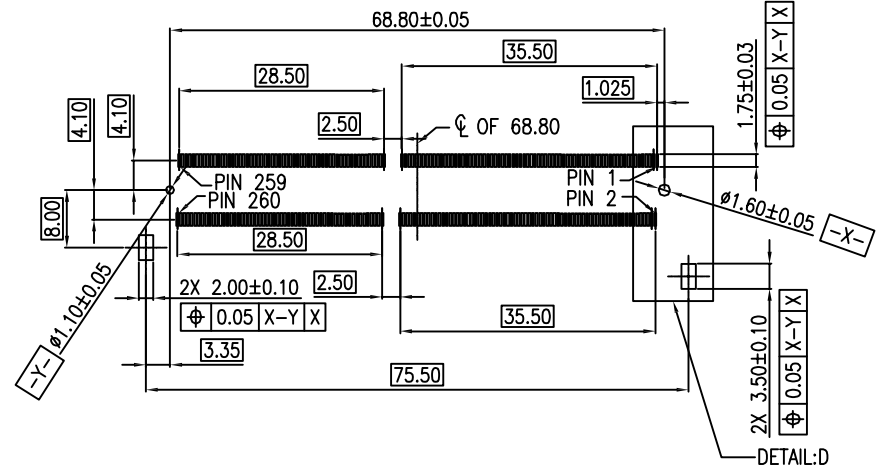
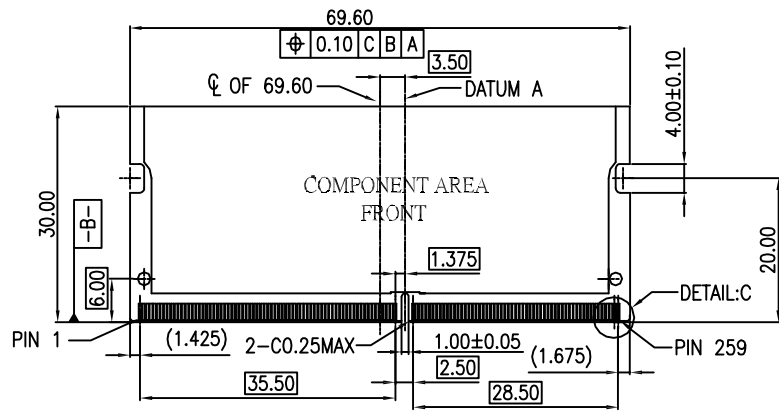
A-Tube, B-Reel, C-Tray

Color:

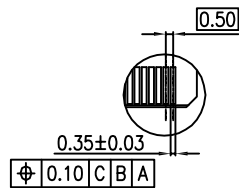
Kx:Black, Lx:White

TOLERANCE		深圳市东方御业科技有限公司 WWW.DFYCONN.COM Tel:0755-27155560	TITLE: DDR4 So Dimm 260P 9.2H STD C-DWG				
LINEAR	ANGLES		PART NO.: SEE TABLE				
X.±0.30	X°.±2.0°		DWG NO.: EAST-26001-08				
.X ±0.25	.X°±1.0°		APPD:	DRWN: Rocky	UNITS	SCALE	SHEET
.XX ±0.20		CHKD:	DATE: 2014-3-28	MM	1:1	1 OF 3	A/0

REV	LTR	DESCRIPTION	DATE	DWN
-----	-----	-------------	------	-----



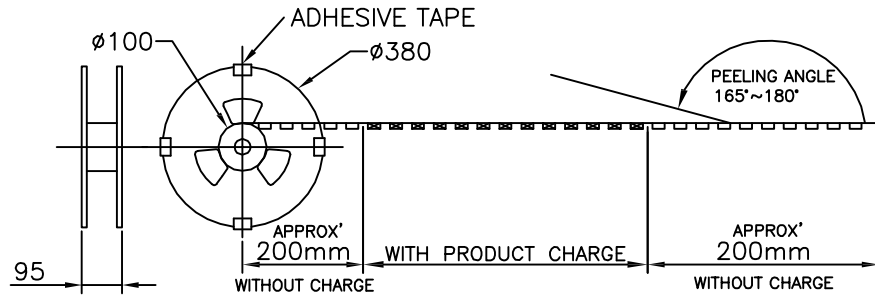
DETAIL:D
SCALE 2:1



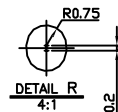
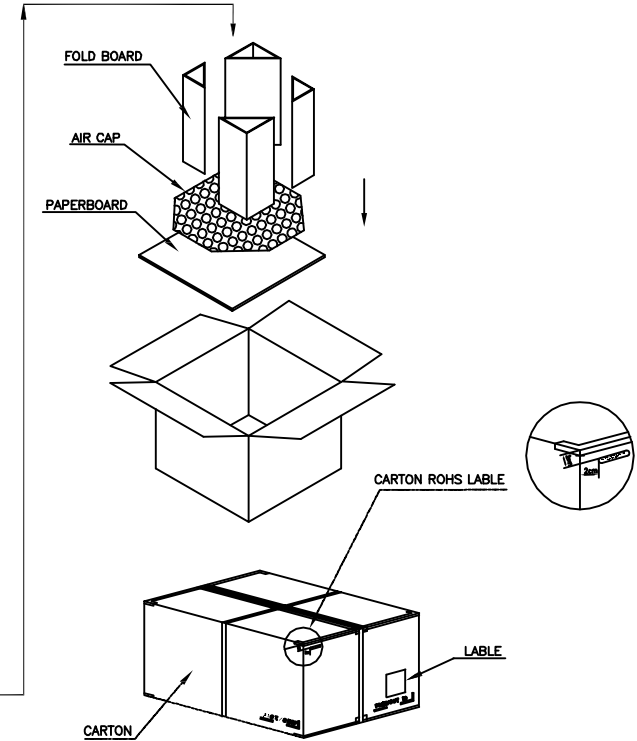
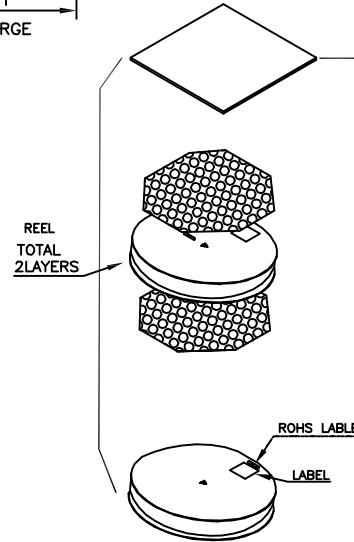
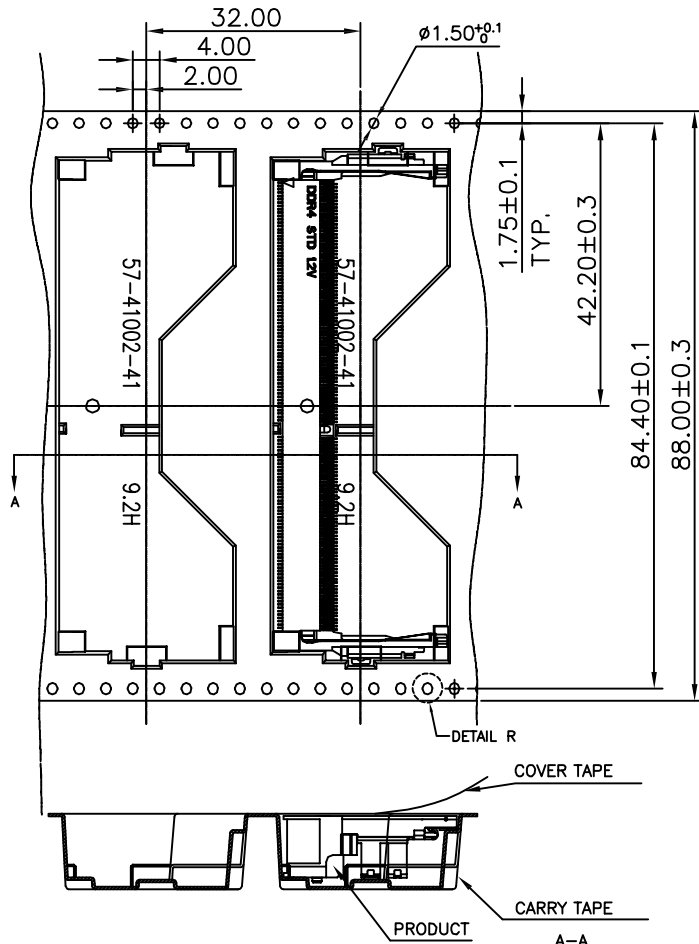
DETAIL:C
SCALE 2:1

TOLERANCE		TITLE:			
LINEAR	ANGLES	DDR4 So Dimm 260P			
X.±0.30	X°.±2.0°	9.2H STD C-DWG			
.X±0.25	.X°.±1.0°	PART NO.: SEE TABLE			
.XX±0.20		DWG NO.: EAST-26001-08			
APPD:	DRWN: Rocky	UNITS	SCALE	SHEET	REV
CHKD:	DATE: 2014-3-28				

深圳市东方御业科技有限公司
WWW.DFYCONN.COM Tel:0755-27155560



PULL OUT DIRECTION →



TOLERANCE		PART NUMBER	
LINEAR	ANGLES	250	2
X.±0.30	X°.±2.0°	PCS/REEL	REEL/CARTON
.X±0.25	.X*±1.0°	500	PCS/CARTON
.XX±0.20		PART NUMBER	
APPD:	DRWN: Rocky	TITLE: DDR4 So Dimm 260P	
CHKD:	DATE: 2014-3-28	PART NO.: SEE TABLE	
		DWG NO.: EAST-26001-08	
		UNITS	SCALE
		MM	1:1
		SHEET	3 OF 3
		REV	A/0

深圳市东方御业科技有限公司
www.dfyyconn.com Tel:0755-27155660

250	2	500	
PCS/REEL	REEL/CARTON	PCS/CARTON	PART NUMBER

TITLE:	DDR4 So Dimm 260P
PART NO.:	SEE TABLE
DWG NO.:	EAST-26001-08
UNITS	SCALE
MM	1:1
SHEET	3 OF 3
REV	A/0