

- NOTES:
- MATERIAL:
    - HOUSING: HIGH TEMPERATURE THERMOPLASTIC, UL94V-0, COLOR: BLACK.
    - CONTACT: COPPER ALLOY.
    - SOLDER PEG AND LATCH: STAINLESS STEEL.
  - FINISH:
    - CONTACT: 50u" MIN NICKEL UNDERPLATED ALL OVER. GOLD FLASH PLATING ON SOLDER TAIL. GOLD PLATING (THICKNESS SEE TABLE) ON CONTACT AREA.
    - SOLDER PEG: 50u" MIN NICKEL UNDERPLATED ALL OVER. AU 2u" MAX ON SOLDER TAIL.

\*CHNEAST P/N:\*

EAST-260 01 X 07 XX X X

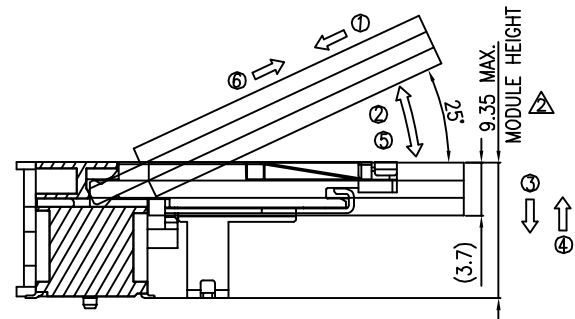
No. of Pins: [ ]

Plating: [ ]

Environment Protection:  
R for RoHS  
G for GP  
H for Halogen-free

Packing:  
A-Tube, B-Reel, C-Tray

Color:  
Kx: Black, Lx: White .....

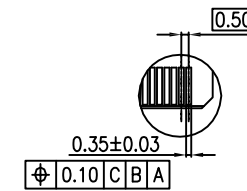
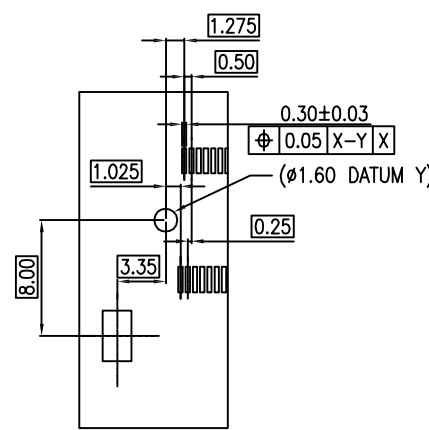
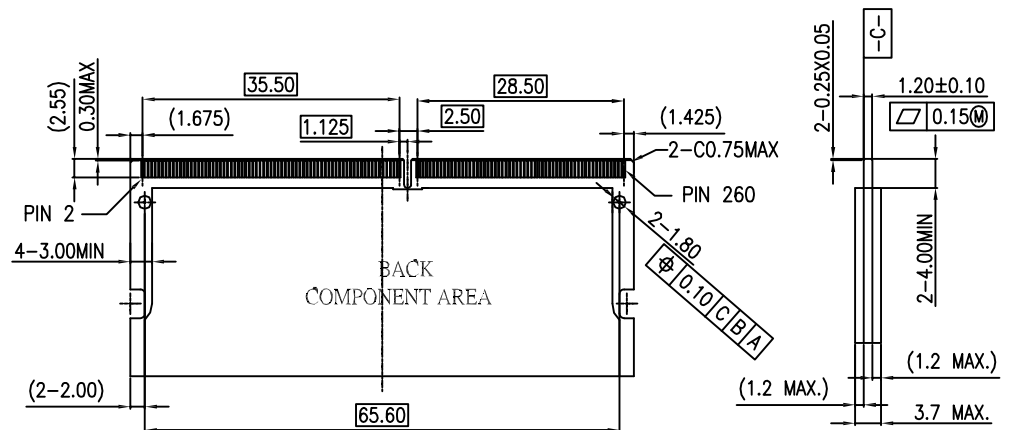
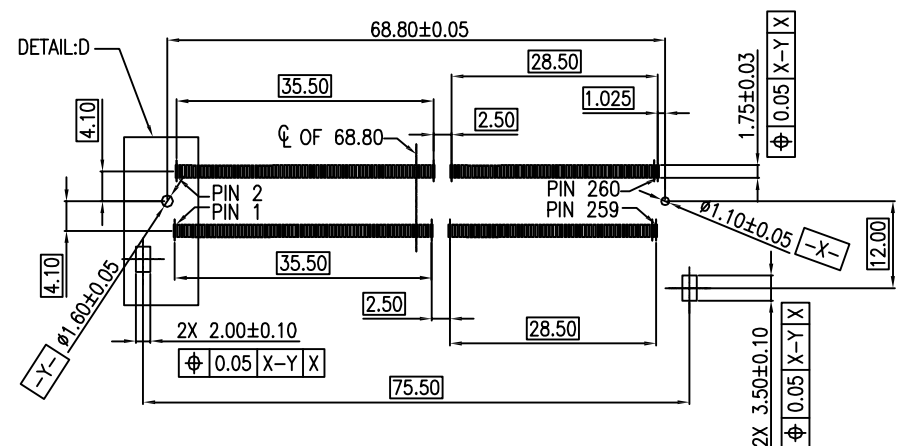
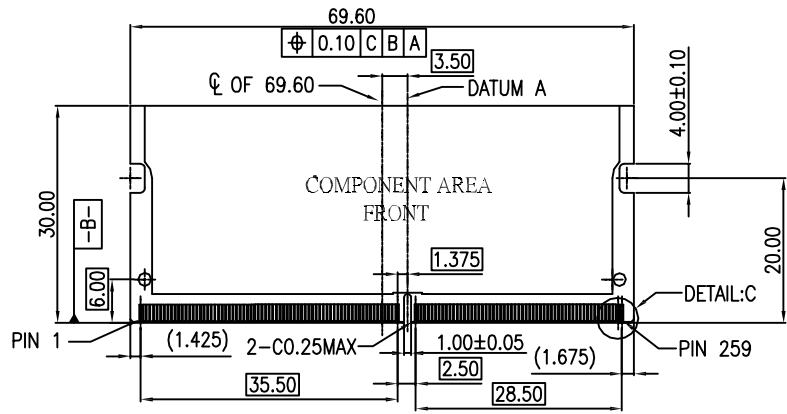


MATING/UNMATING VIEW  
SCALE 2:1

MATING: ① INSERTING(30°) — ② ROTATING — ③ FIXED  
UNMATING: ④ UNFIXED — ⑤ ROTATING — ⑥ WITHDRAWING

TOLERANCE		深圳市东方御业科技有限公司 WWW.DFYCONN.COM Tel:0755-27155560	TITLE: DDR4 So Dimm 260P 9.2H RVS C-DWG			
LINEAR	ANGLES		PART NO.:	SEE TABLE		
X.±0.30	X°.±2.0°		DWG NO.:	EAST-28001-07		
.X ±0.25	.X°±1.0°		UNITS	SCALE	SHEET	REV
.XX ±0.20		APPD:	MM	1:1	1 OF 3	A/0
		CHKD:	DRWN: Rocky	DATE: 2014-3-28		

REV	LTR	DESCRIPTION	DATE	DWN
-----	-----	-------------	------	-----



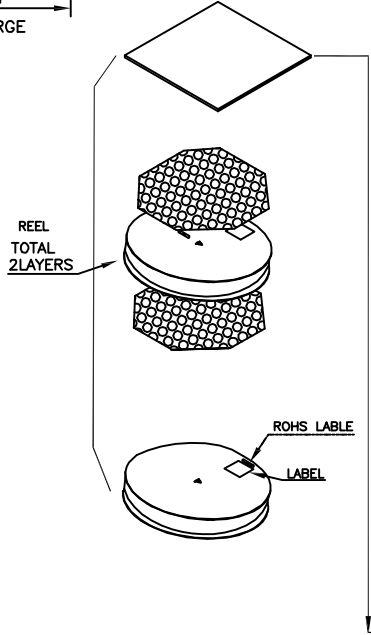
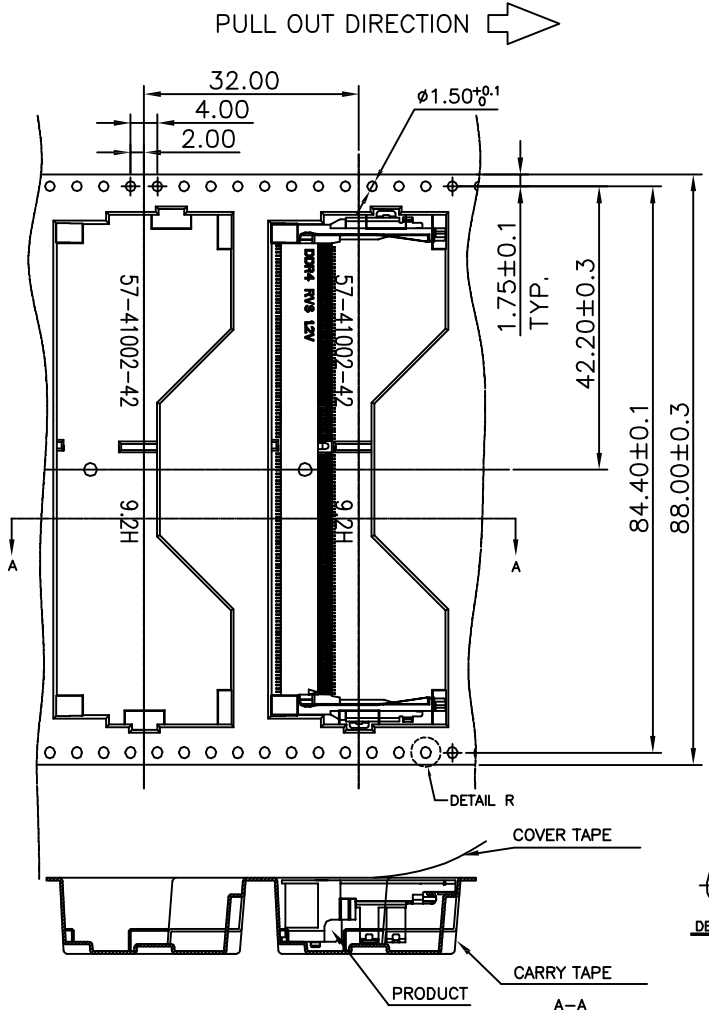
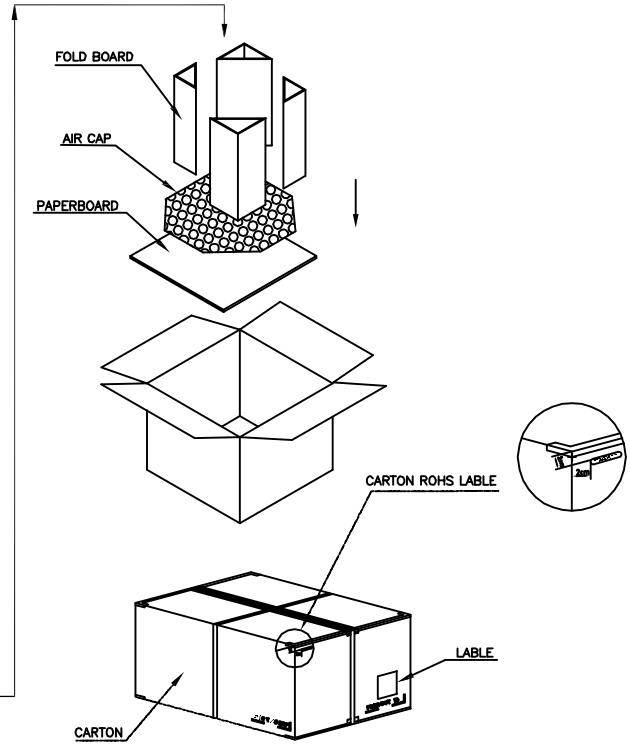
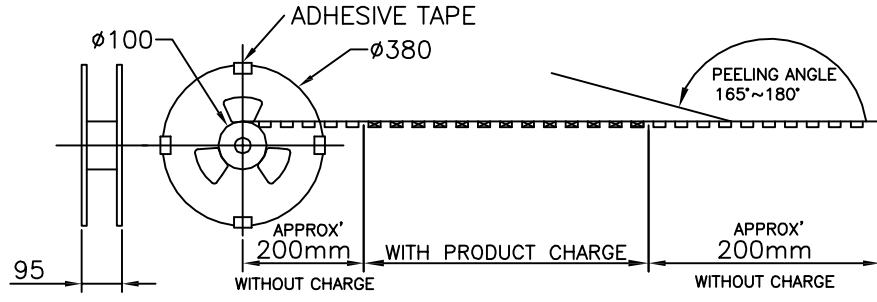
DETAIL:D  
SCALE 2:1

DETAIL:C  
SCALE 2:1

TOLERANCE		TITLE:	
LINEAR	ANGLES	DDR4 So Dimm 260P	
X.±0.30	X°.±2.0°	9.2H RVS C-DWG	
.X±0.25	.X°±1.0°	PART NO.: SEE TABLE	
.XX±0.20		DWG NO.: EAST-28001-07	
	APPD:	DRWN: Rocky	UNITS SCALE SHEET REV
	CHKD:	DATE: 2014-3-28	

深圳市东方御业科技有限公司  
WWW.DFYCONN.COM Tel:0755-27155560

MM	1:1	2 OF 3	A/0
----	-----	--------	-----



TOLERANCE		深圳市东方御业科技有限公司 WWW.DFYCONN.COM Tel:0755-27155560	TITLE: <b>DDR4 So Dimm 260P 9.2H RVS C-DWG</b>				
LINEAR	ANGLES		PART NO.: <b>SEE TABLE</b>				
X.±0.30	X°.±2.0°		DWG NO.: <b>EAST-26001-07</b>				
.X±0.25	.X°±1.0°		APPD:	DRWN: <b>Rocky</b>	UNITS	SCALE	SHEET
.XX±0.20		CHKD:	DATE: <b>2014-3-28</b>	MM	1:1	3 OF 3	A/0

250	2	500	
PCS/REEL	REEL/CARTON	PCS/CARTON	PART NUMBER