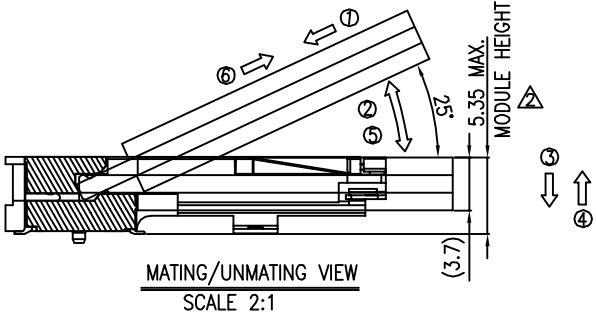


NOTES:
1.MATERIAL:
1.1 HOUSING:HIGH TEMPERATURE THERMOPLASTIC, UL94V-0,COLOR:BLACK.
1.2 CONTACT:COPPER ALLOY.
1.3 SOLDER PEG AND LATCH:STAINLESS STEEL.
2. FINISH:
2.1 CONTACT: 50u" MIN NICKEL UNDERPLATED ALL OVER. GOLD FALSH PLATING ON SOLDER TAIL. GOLD PLATING (THICKNESS SEE TABLE) ON CONTACT AREA.
2.2 SOLDER PEG: 50u" MIN NICKEL UNDERPLATED ALL OVER. AU 2u" MAX ON SOLDER TAIL.

CHNEAST P/N:
EAST-260 01 X 02 XX X X

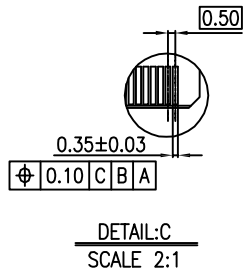
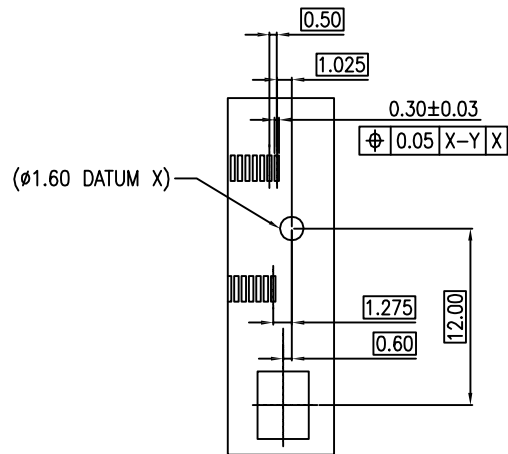
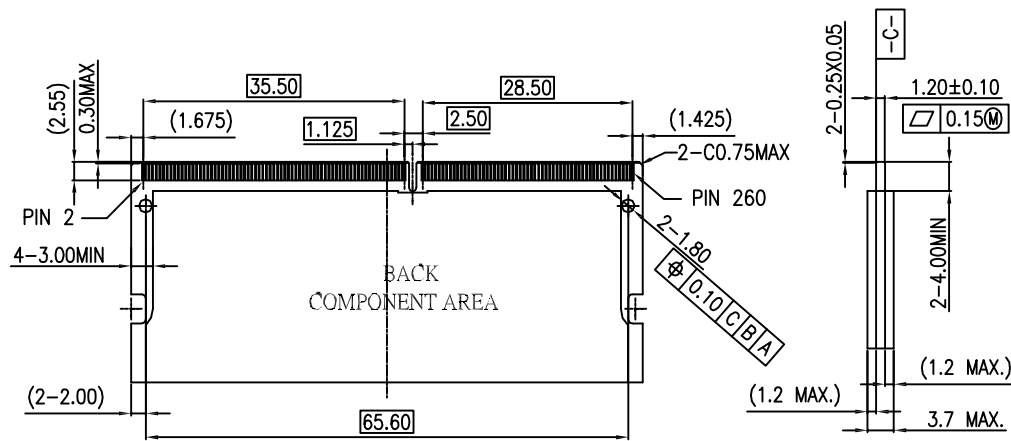
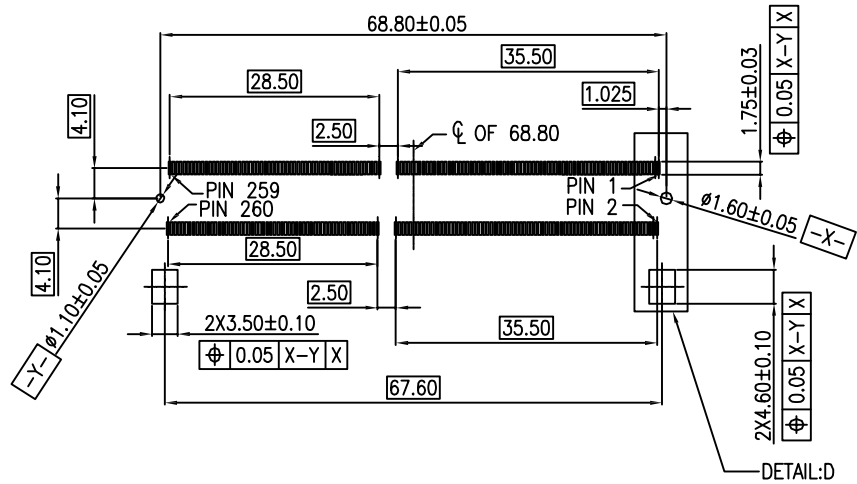
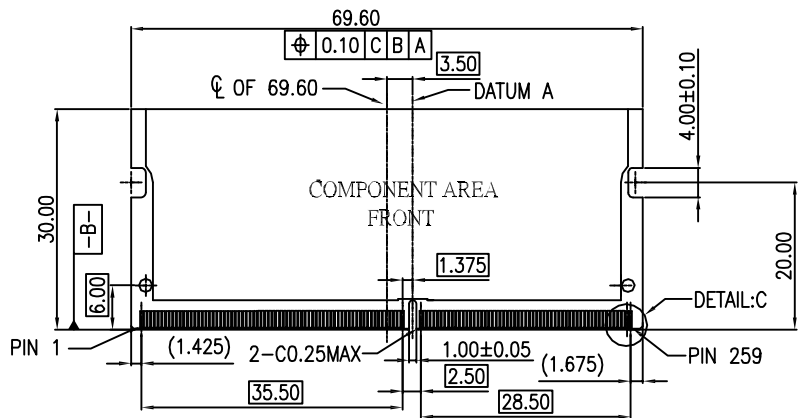
No. of Pins
Plating:
A- Pin Flash.Gold
B-Pin Gold 3u"
C-Pin Gold 5u"
D-Pin Gold 10u"
E-Pin Gold 15u"
G-Pin Gold 30u"
Enviroment Protection:
R for RoHS
G for GP
H for Halogen-free
Packing:
A-Tube, B-Reel, C-Tray
Color:
Kx:Black, Lx:White



MATING: ① INSERTING(30°) — ② ROTATING — ③ FIXED
UNMATING: ④ UNFIXED — ⑤ ROTATING — ⑥ WITHDRAWING

TOLERANCE		深圳市东方御业科技有限公司 WWW.DFYCONN.COM Tel:0755-27155560	TITLE: DDR4 So Dimm 260P 5.2H STD C-DWG				
LINEAR	ANGLES		PART NO.: SEE TABLE				
X.±0.30	X°.±2.0°		DWG NO.: EAST-26001-02				
.X ±0.25	.X°±1.0°		UNITS	SCALE	SHEET	REV	
.XX ±0.20		APPD:	DRWN: Rocky	MM	1:1	1 OF 3	A/0
		CHKD:	DATE: 2014-3-28				

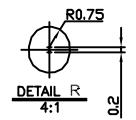
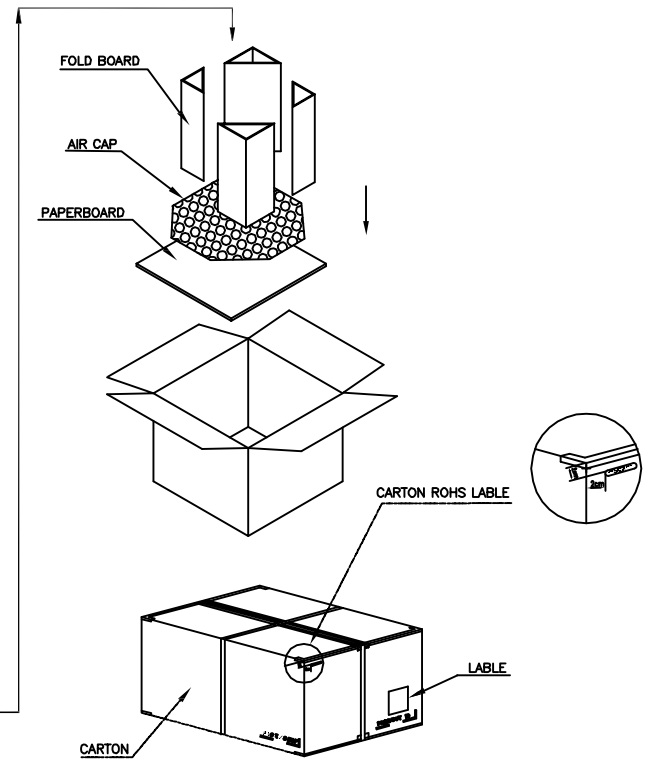
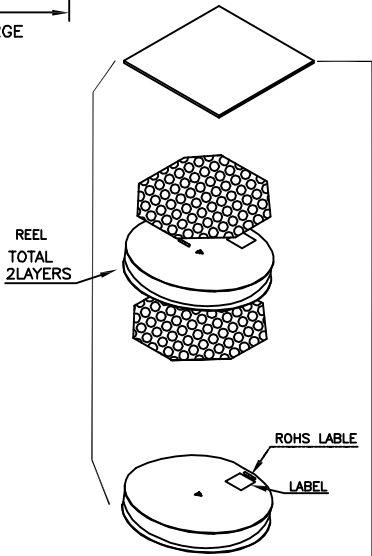
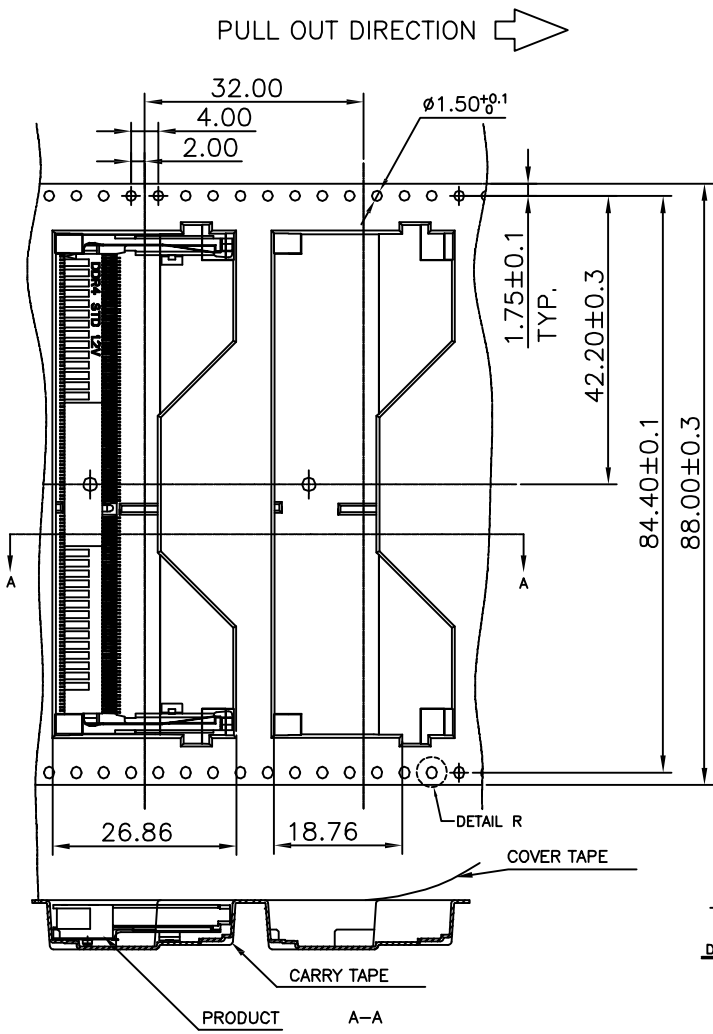
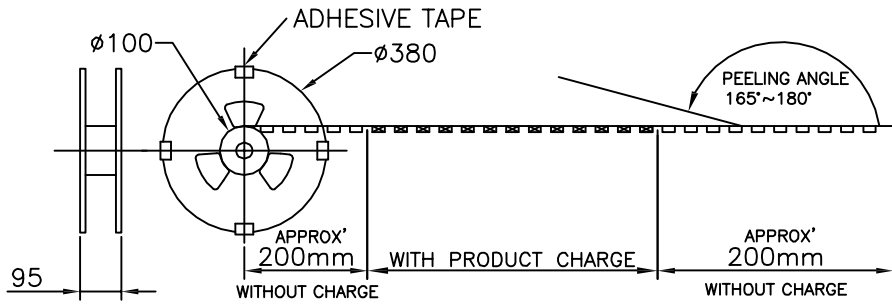
REV	LTR	DESCRIPTION	DATE	DWN
-----	-----	-------------	------	-----



DETAIL:D
SCALE 2:1

DETAIL:C
SCALE 2:1

TOLERANCE		深圳市东方御业科技有限公司 WWW.DFYCONN.COM Tel:0755-27155560	TITLE: DDR4 So Dimm 260P 5.2H STD C-DWG			
LINEAR	ANGLES		PART NO.:	SEE TABLE		
X.±0.30	X°.±2.0°		DWG NO.:	A-26001-02		
.X ±0.25	.X*±1.0°		UNITS	SCALE	SHEET	REV
.XX ±0.20		APPD:	MM	1:1	2 OF 3	A/0
		CHKD:	DRWN: Rocky	DATE: 2014-3-28		



400	2	800	40-42272-2600XRHF
PCS/REEL	REEL/CARTON	PCS/CARTON	PART NUMBER

TOLERANCE		深圳市东方御业科技有限公司 WWW.DFYCONN.COM Tel:0755-27155560	TITLE: DDR4 So Dimm 260P 5.2H STD C-DWG				
LINEAR	ANGLES		PART NO.: SEE TABLE				
X.±0.30	X°.±2.0°		DWG NO.: EAST-26001-02				
.X±0.25	.X°±1.0°		APPD:	DRWN: Rocky	UNITS	SCALE	SHEET
.XX±0.20		CHKD:	DATE: 2014-3-28	MM	1:1	3 OF 3	A/0