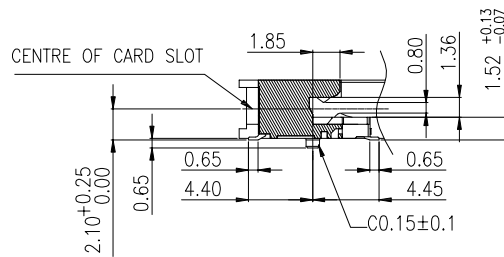
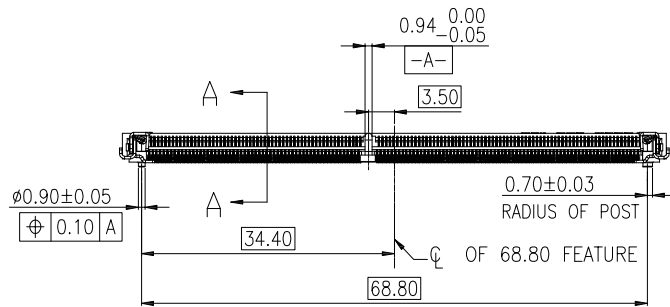


NOTES:

- MATERIAL:
  - HOUSING:LCP,UL94V-0,COLOR:BLACK.
  - CONTACT:PHOSPHOR BRONZE.
  - LATCH:STAINLESS STEEL.
- FINISH:
  - CONTACT: 50u" MIN NICKEL UNDERPLATED ALL OVER. GOLD FALSH PLATING ON SOLDERTAIL. GOLD PLATING (THICKNESS SEE TABLE 1) ON CONTACT AREA.
  - LATCH: 50u" MIN NICKEL UNDERPLATED ALL OVER. 100u" MIN MATTE TIN PLATED ALL OVER.
- DATE CODE: YYWW
 

YY: YEAR (09: 2009)  
 WW: WEEK (25: THE 25TH WEEK)  
 D: DAY (1~7: SUNDAY~SATURDAY)



\*CHNEAST P/N:\*  
**EAST-260 01 X 04 XX X X**

No. of Pins

Plating:

- A- Pin Flash.Gold
- B-Pin Gold 3u"
- C-Pin Gold 5u"
- D-Pin Gold 10u"
- E-Pin Gold 15u"
- G-Pin Gold 30u"

Environment Protection:

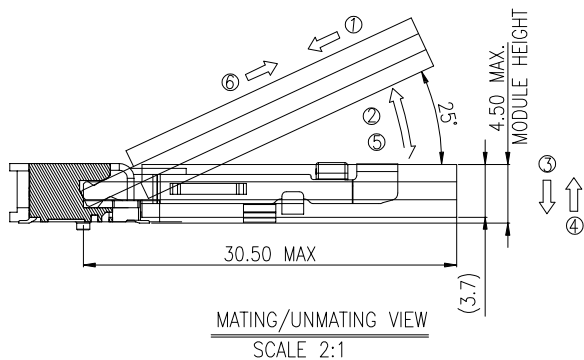
- R for RoHS
- G for GP
- H for Halogen-free

Packing:

A-Tube, B-Reel, C-Tray

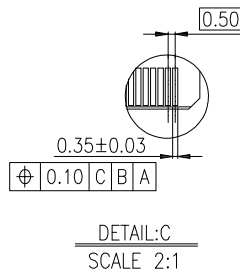
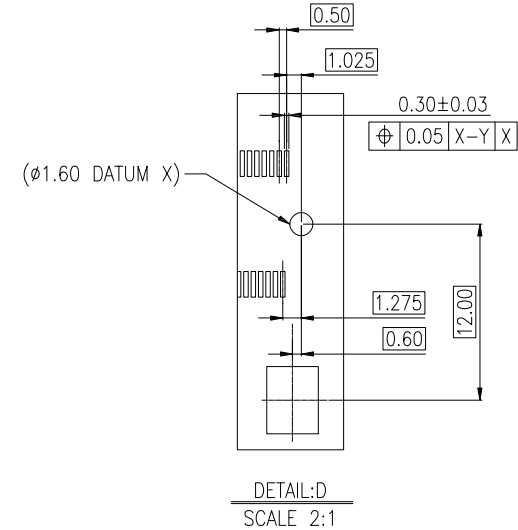
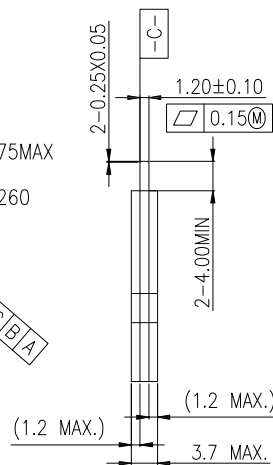
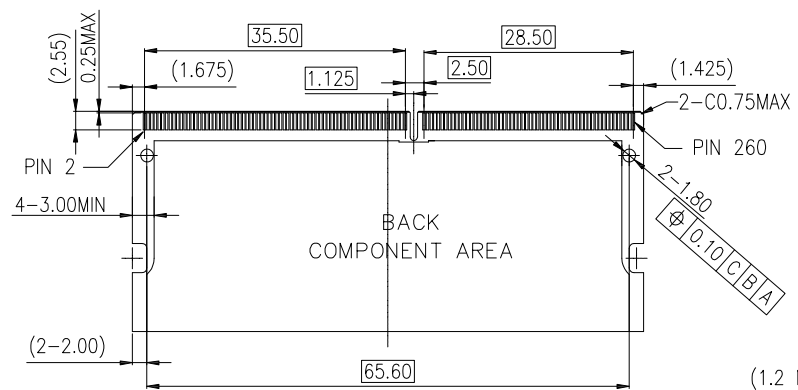
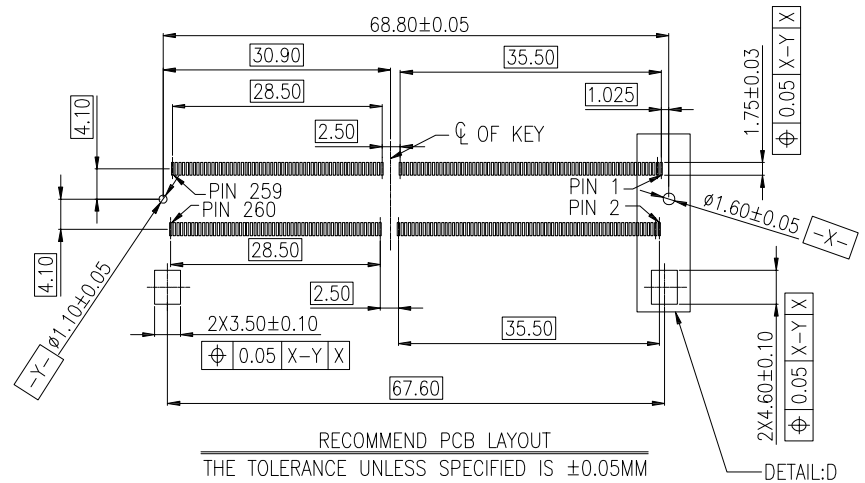
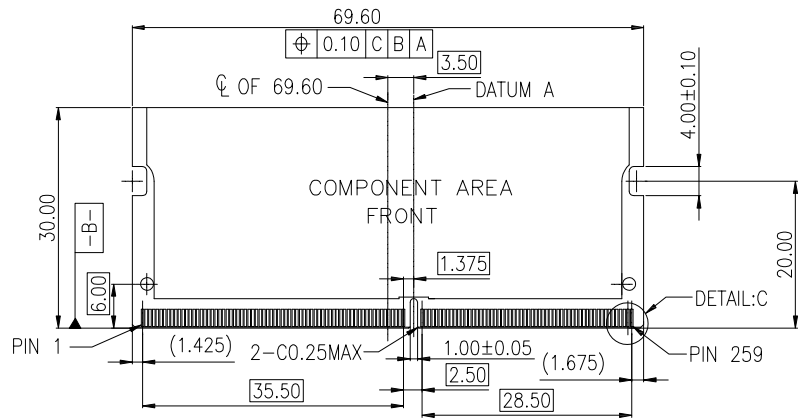
Color:

Kx:Black, Lx:White .....



- MATING: ① INSERTING(25°) → ② ROTATING → ③ FIXED  
 UNMATING: ④ UNFIXED → ⑤ ROTATING → ⑥ WITHDRAWING

TOLERANCE		深圳市东方御业科技有限公司 WWW.DFYCONN.COM Tel:0755-27155560	TITLE: DDR4 So Dimm 260P 4.0H STD C-DWG				
LINEAR	ANGLES		PART NO.: SEE TABLE				
X.±0.30	X°.±2.0°		DWG NO.: EAST-26001-04				
.X ±0.25	.X°±1.0°		APPD:	DRWN: Rocky	UNITS	SCALE	SHEET
.XX ±0.20		CHKD:	DATE: 2014-3-28	MM	1:1	1 OF 3	A/0



TOLERANCE		深圳市东方御业科技有限公司 WWW.DFYCONN.COM Tel:0755-27155560	TITLE: DDR4 So Dimm 260P 4.0H STD C-DWG			
LINEAR	ANGLES		PART NO.: SEE TABLE			
X.±0.30	X°.±2.0°		DWG NO.: EAST-26001-04			
.X ±0.25	.X°±1.0°		APPD:	DRWN: Rocky	UNITS	SCALE
.XX ±0.20		CHKD:	DATE: 2014-3-28	MM	1:1	
				SHEET	REV	
				2 OF 3	A/0	

REV	LTR	DESCRIPTION	DATE	DWN
-----	-----	-------------	------	-----

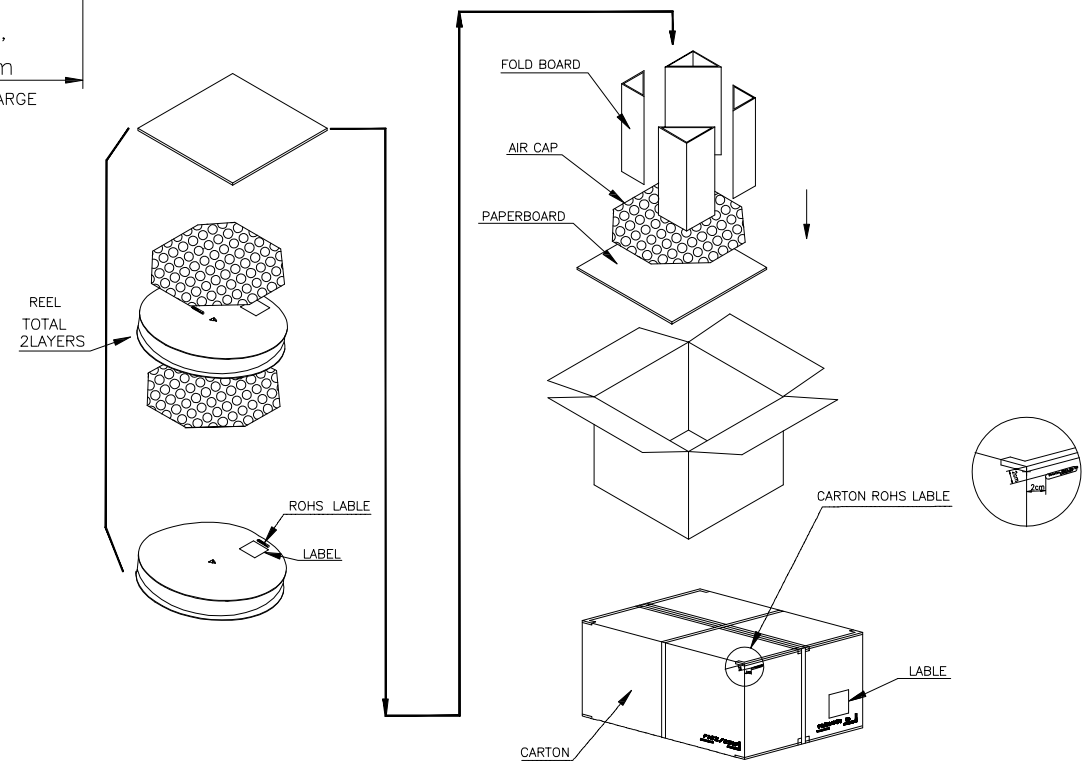
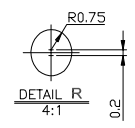
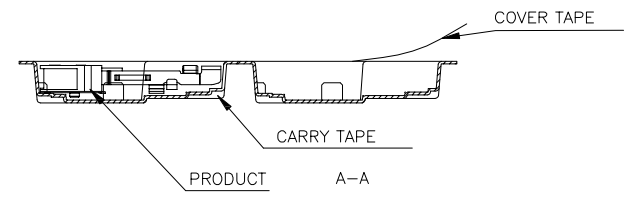
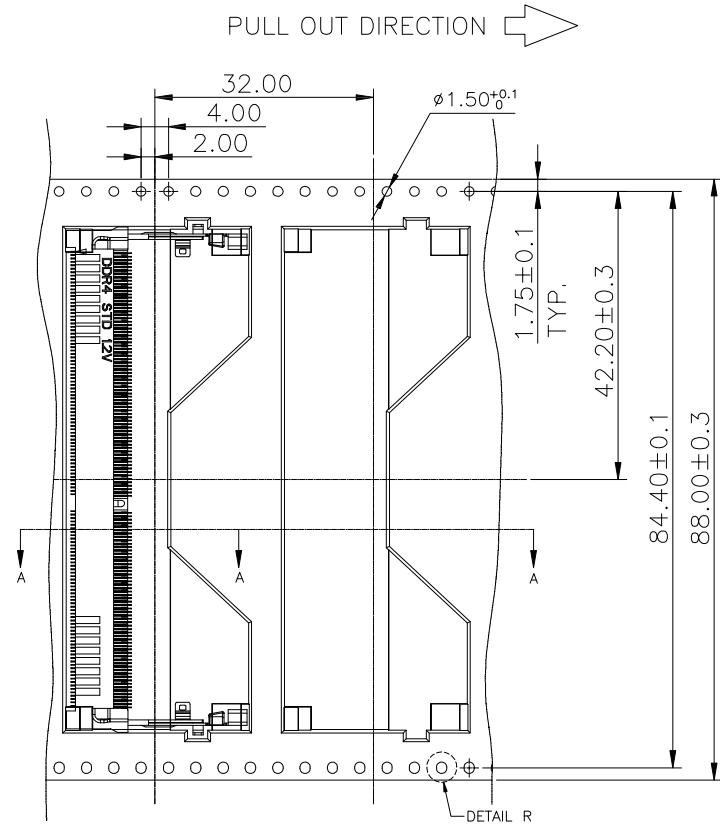
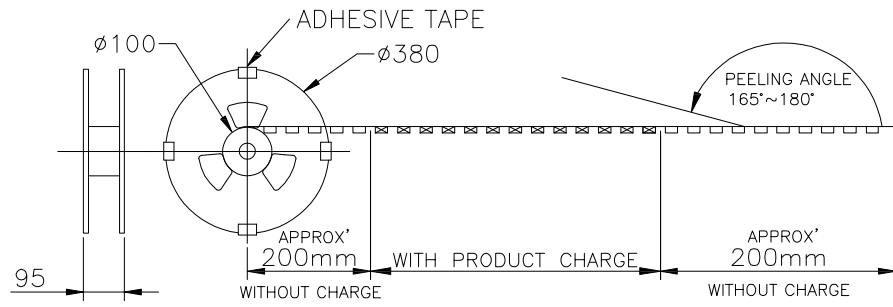


TABLE 2

500 PCS/REEL	2 REEL/CARTON	1000 PCS/CARTON	SEE TABLE 1 PART NUMBER
--------------	---------------	-----------------	-------------------------

TOLERANCE		深圳市东方御业科技有限公司 WWW.DFYCONN.COM Tel:0755-27155560	TITLE: DDR4 So Dimm 260P 4.0H STD C-DWG			
LINEAR	ANGLES		PART NO.: SEE TABLE			
X.±0.30	X°.±2.0°		DWG NO.: EAST-26001-04			
.X ±0.25	.X°±1.0°		APPD:	DRWN: Rocky	UNITS	SCALE
.XX ±0.20		CHKD:	DATE: 2014-3-28	MM	1:1	
				SHEET	REV	
				3 OF 3	A/0	