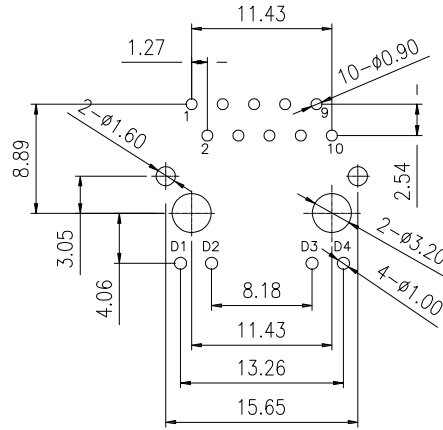
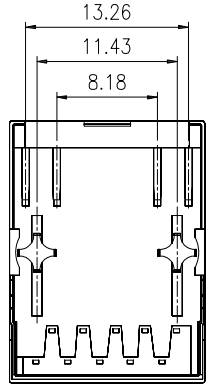
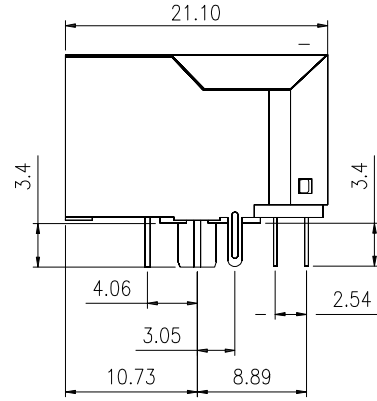
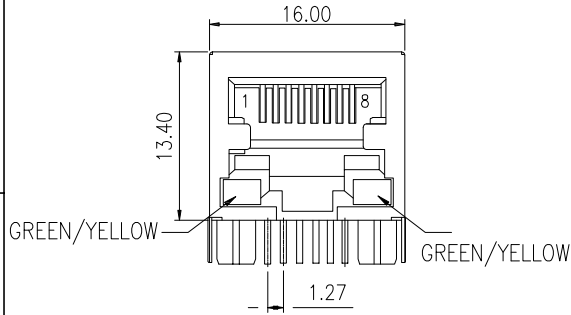
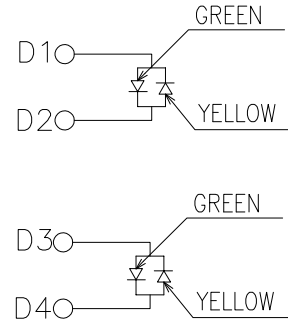


REV.	ECN NO.	MODIFY MATTER	DATE	APPROVED
A		RELEASE TO PRODUCTION		



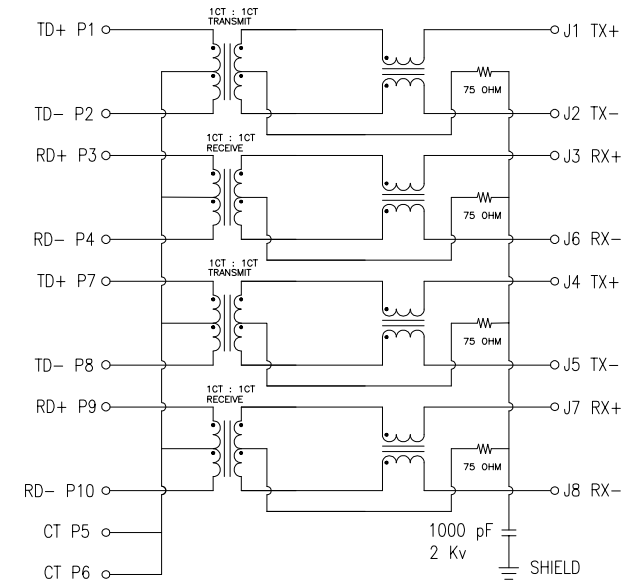
Recommend PCB Layout  
(Jack Top View)  
Tolerance:  $\pm 0.05\text{mm}$   
Recommend PCB Thickness: 1.6mm



**ELECTRICAL SPECIFICATIONS @ 25°C $\pm$ 5°C**

Insertion Loss: 1-100MHZ -1.0dB MAX  
Return Loss: 1-30MHZ -16.0dB MIN  
30-60MHZ -14.0dB MIN  
60-80MHZ -10.0dB MIN  
Cross Talk: 1-30MHZ -40.0dB MIN  
30-60MHZ -35.0dB MIN  
60-80MHZ -30.0dB MIN

Turn Ratio: 1CT:1CT $\pm$ 3%  
CMR:1-100MHZ -35.0dB MIN  
Hi-Pot: 1000v AC 2S 1mA  
OCL:350uH MIN @ 100KHZ 100mV 8mA DC  
Operating temperature range:0°C to +70°C



g	LED-R	1	GREEN/YELLOW	Tin PALTING	
f	LED-L	1	GREEN/YELLOW	Tin PALTING	
e	SHELL	1	BRASS	Ni PALTING	
d	SOLDER TERMINAL	10	BRASS	Tin PALTING	
c	CONTACT TERMINAL	8	PHOSPHOR BRONZE	Au 6u" PALTING	
b	COVER	1	PBT UL94V-0	BLACK	
a	HOUSING	1	PBT UL94V-0	BLACK	
NO.	PART NAME	Q'TY	MATERIAL	PLATING & COLOR	Remark

TOLERANCES UNLESS OTHERWISE SPECIFIED: X. --- X.X $\pm 0.38$ X.XX $\pm 0.25$ X.XXX $\pm 0.10$ Angle $\pm 1^\circ$	<b>深州市东方御业科技有限公司</b> WWW.DFYCONN.COM TEL:0755-27155560	
	CUSTOMER COPY DRAWN: CHENLEI CHECKED: CHENLEI APPROVED: QINKAIXING	2017/09/10 2017/09/10 2017/09/10
THESE DRAWING AND SPECIFICATION ARE THE PROPERTY OF Shenzhen Dongfangyue ELECTRONIC CO., LTD. SHALL NOT BE REPRODUCED.		