

NOTES:

1. MATERIAL:

1.1 HOUSING: HIGH TEMPERATURE THERMOPLASTIC, UL94V-0, COLOR: BLACK

1.2 CONTACT: COPPER ALLOY.

1.3 SOLDER PEG: STAINLESS STEEL.

2. FINISH:

2.1 CONTACT: UNDERCOAT NICKEL 50u" MIN ALL OVER.
Au GF PLATING ON SOLDER TAIL. CONTACT AREA: SEE TABLE,

2.2 SOLDER PEG: MATTE TIN 80u" MIN. AND NICKEL 50u" MIN UNDERPLATED.

DATE CODE : YYWWDLX

YY: YEAR (09: 2009)

WW: WEEK (25: THE 25TH WEEK)

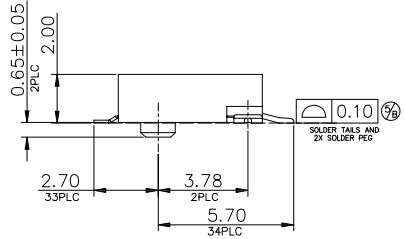
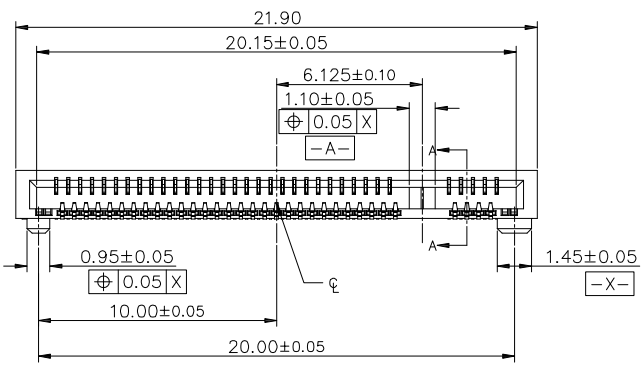
D: DAY (1~7: SUNDAY~SATURDAY)

L: LINE NUMBER OF ASSEMBLY (A: LINE A)

X: D OR N (D: DAY; N: NIGHT)

4. CONNECTOR ACTUAL PIN QUANTITY IS 67, AS THE KEY TAKING OUT 8 PINS.

5. PART NUMBER DESCRIPTION:



CHNEAST INFORMATION:

EAST-067 20 X 25 K1 B R

No. of Pins

Plating:

- A-Flash Gold (0.8u" Min)
- B-Gold 3u" Au
- C-Gold 5u" Au
- D-Gold 10u" Au
- E-Gold 15u" Au
- G-Gold 30u" Au

Environment Protection:

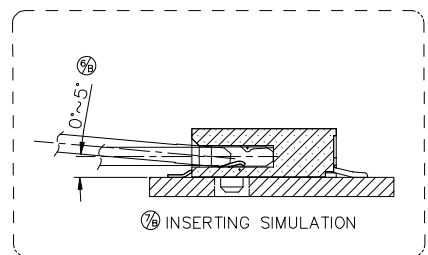
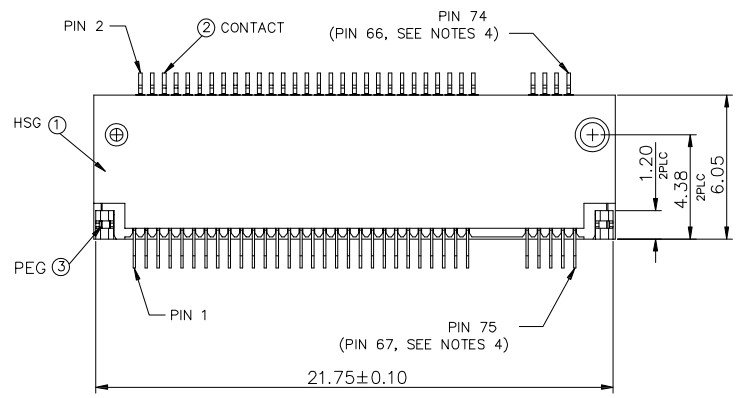
R for RoHS

Packing:

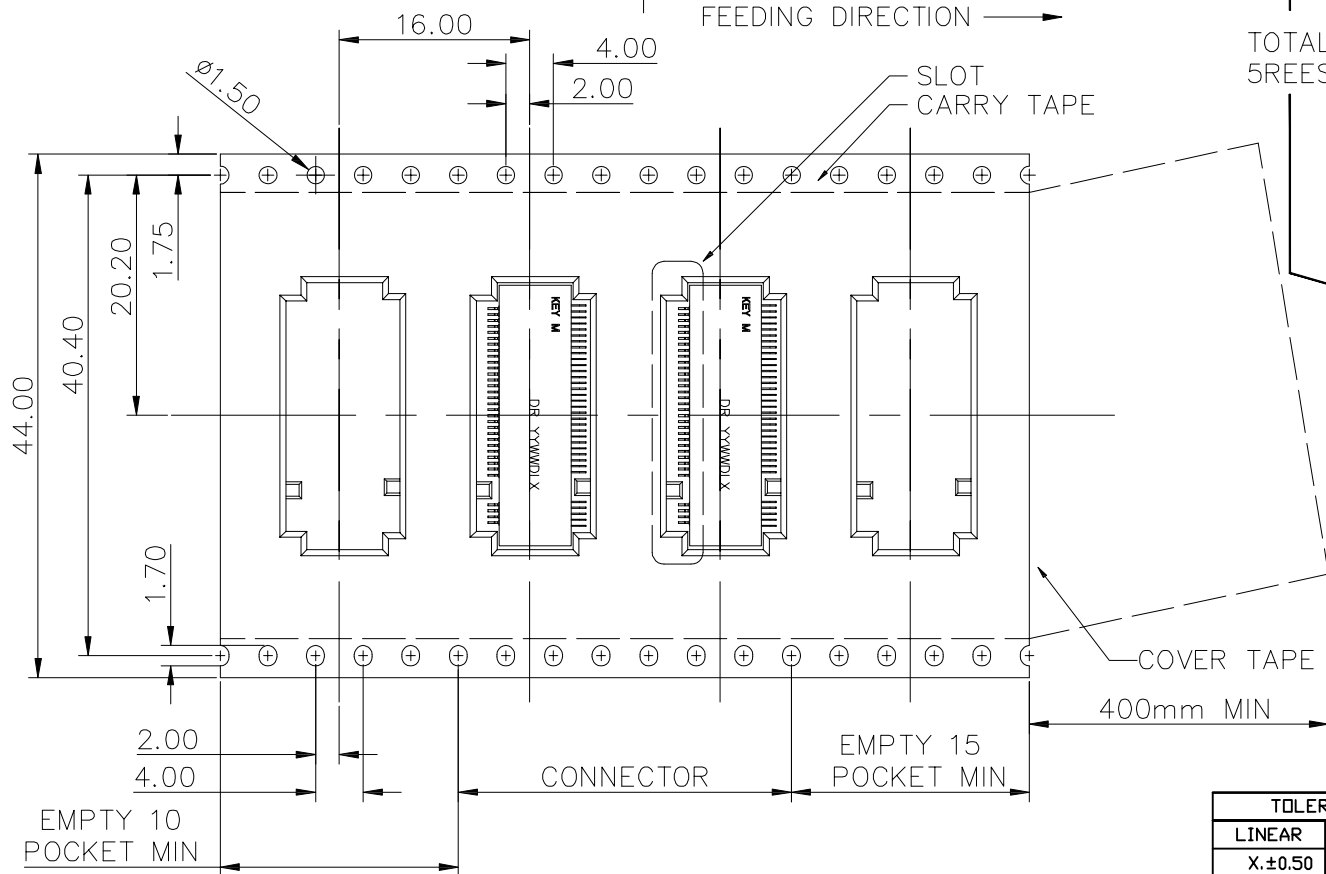
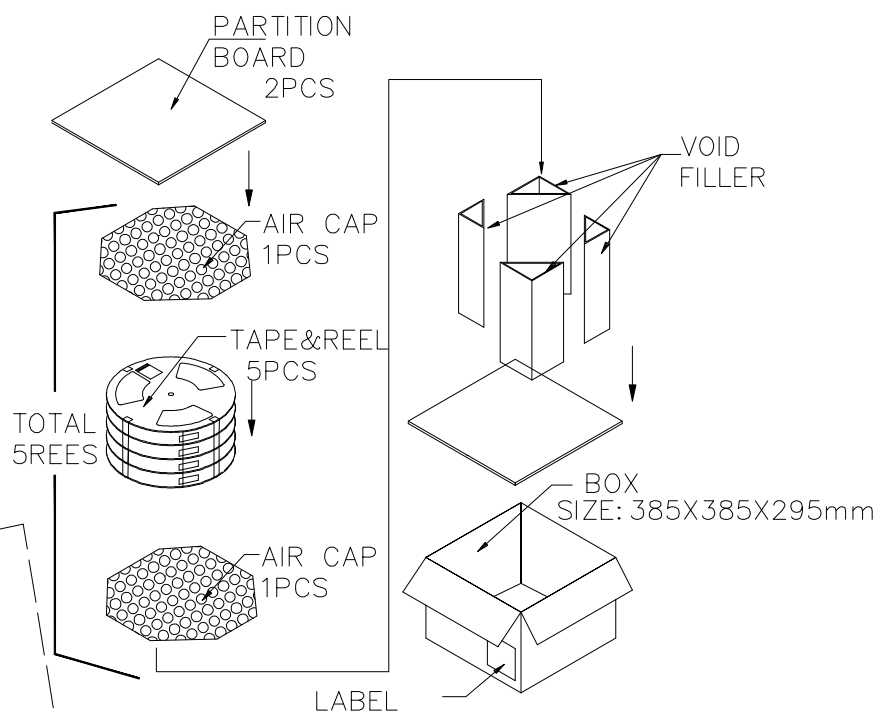
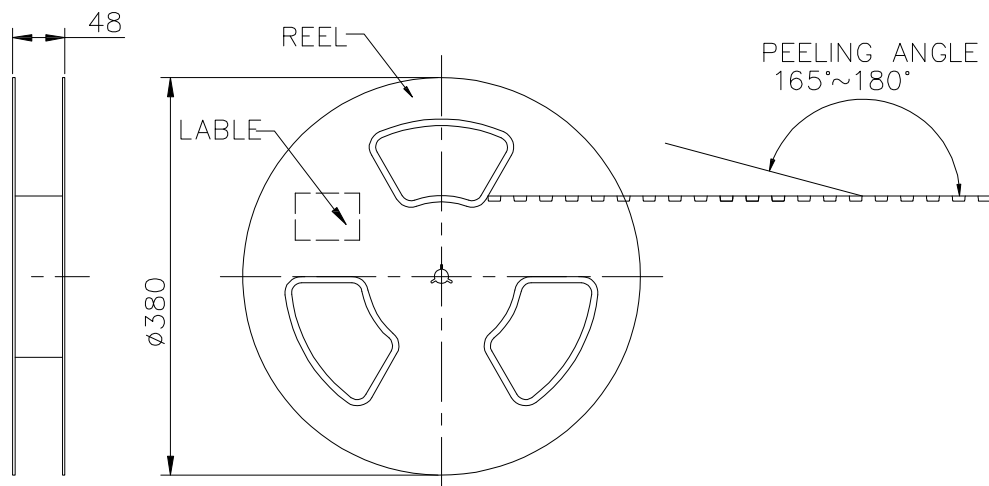
B-Tape&Reel

HSG Color:

K1:Black



TOLERANCE		深圳市东方御业科技有限公司 WWW.DFYCONN.COM TEL:0755-27155560	TITLE: NGFF(M.2) 2.0H KEY-M Connector				
LINEAR	ANGLES		CUSTOMER COPY	PART NO.:	DWG NO.:	REV	
X.±0.50	X°.±2.0°		EAST-06720-25	MM	1:1	1 OF 2	A/0
.X±0.38	.X°.±1.0°						
.XX±0.25	.XX°.±	APPD:	DRWN: Rocky				
.XXX±0.15	.XXX°.±	CHKD:	DATE: 2016-9-29				



TOLERANCE		TITLE:	
LINEAR	ANGLES	深圳市东方御业科技有限公司	
X.±0.50	X°.±2.0°	NGFF(M.2) 2.0H KEY-M Connector	
.X±0.38	.X°±1.0°	WWW.DFYCONN.COM TEL:0755-27155560	
.XX±0.25	.XX°±	CUSTOMER COPY	PART NO.:
.XXX±0.15	.XXX°±	DRWN: Rocky	DWG NO.: EAST-06720-25
		DATE: 2016-9-29	UNITS SCALE SHEET REV
			MM 1:1 1 OF 2 A/0