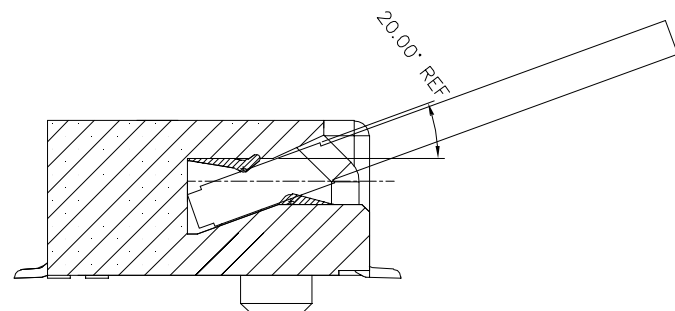
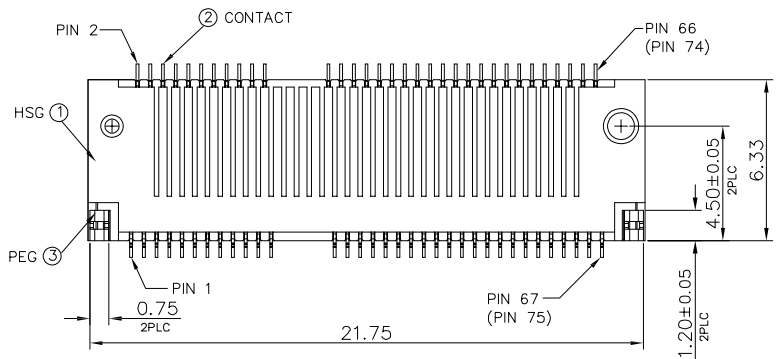


NOTES:

- MATERIAL:
 - HOUSING: HIGH TEMPERATURE THERMOPLASTIC, UL94V-0, COLOR: BLACK.
 - CONTACT: COPPER ALLOY.
 - SOLDER PEG: STAINLESS STEEL.
- FINISH:
 - CONTACT: UNDERPLATING NICKEL 50u" MIN ALL OVER. MATING AREA: GOLD PLATING, THICKNESS SEE TABLE LIST. SOLDER AREA: GOLD FLASH ON SOLDER TAIL
 - SOLDER PEG: UNDERPLATING NICKEL 50u" MIN ALL OVER, 80u" MIN MATTE TIN ON SURFACE
- DATE CODE : YYWW
 YY: YEAR (09: 2009)
 WW: WEEK (25: THE 25TH WEEK)
 D: DAY (1~7: SUNDAY~SATURDAY)
- PART NUMBER DESCRIPTION:



CHNEAST INFORMATION:
EAST-067 31 X 18 K1 B R

No. of Pins: 31
 Plating: A-Flash Gold (0.8u" Min)
 B-Gold 3u" Au
 C-Gold 5u" Au
 D-Gold 10u" Au
 E-Gold 15u" Au
 G-Gold 30u" Au

Environment Protection:
 R For RoHS
 G For GP
 H For Halogen-free

Packing:
 A-Tube, B-Reel, C-Tray,
 HSG Color:
 K1:Black, L1:White

MATING SIMILAR
 SCALE: 2:1

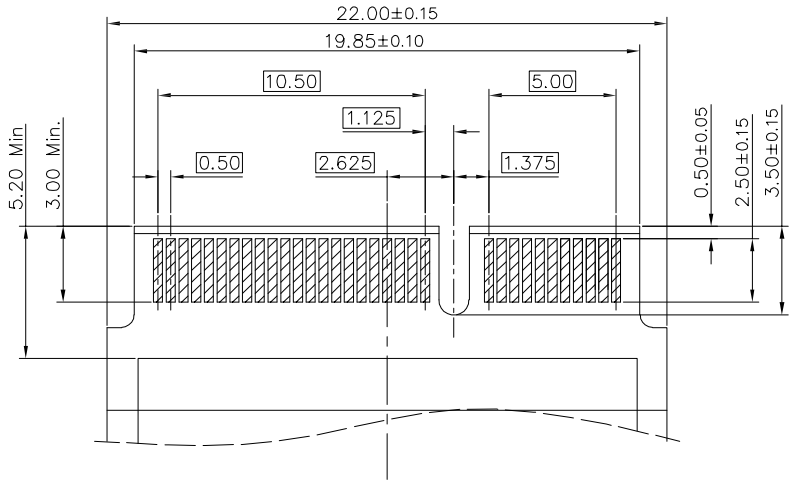
TOLERANCE		TITLE:	
LINEAR	ANGLES	NGFF M.2 H3.1mm E.KEY	
X. ±0.50	X° . ±2.0°	PART NO. :	
.X ±0.38	.X° ±1.0°	DWG NO. : EAST-06731X18K1BR	
.XX ±0.25	.XX° ±	APPD:	DRWN: Rocky
.XXX ±0.15	.XXX° ±	CHKD:	DATE: 2014-04-29

深圳市东方御业科技有限公司
 WWW.DFYCONN.COM TEL:0755-27155560

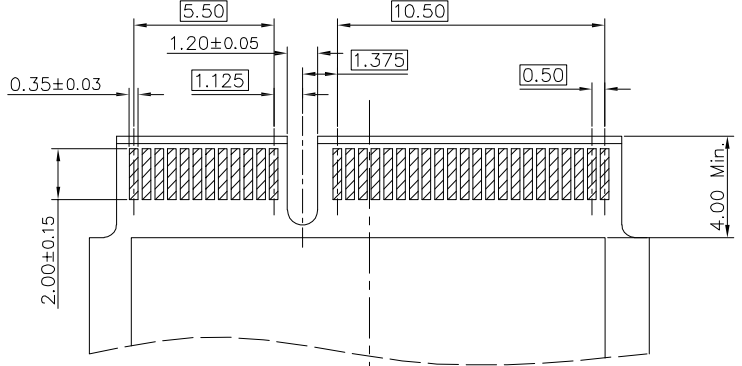
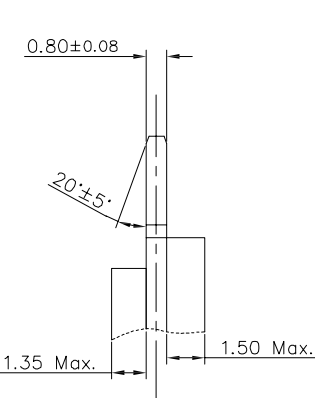
UNITS	SCALE	SHEET	REV
MM	1:1	1 OF 3	A/0

REV	LTR	DESCRIPTION	DATE	DWN
-----	-----	-------------	------	-----

PLUG PCB

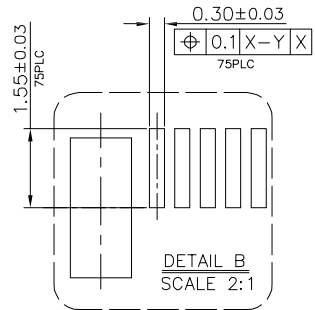
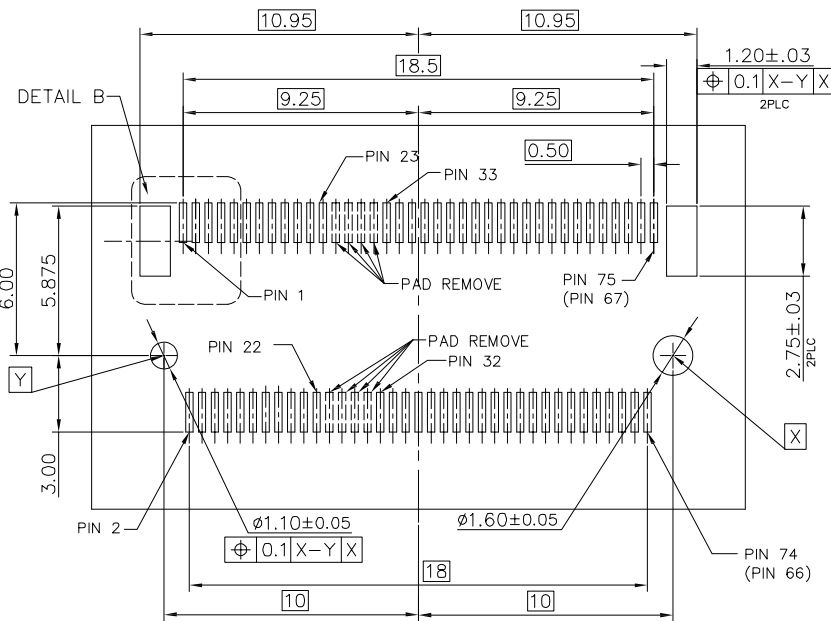


BOTTOM SIDE

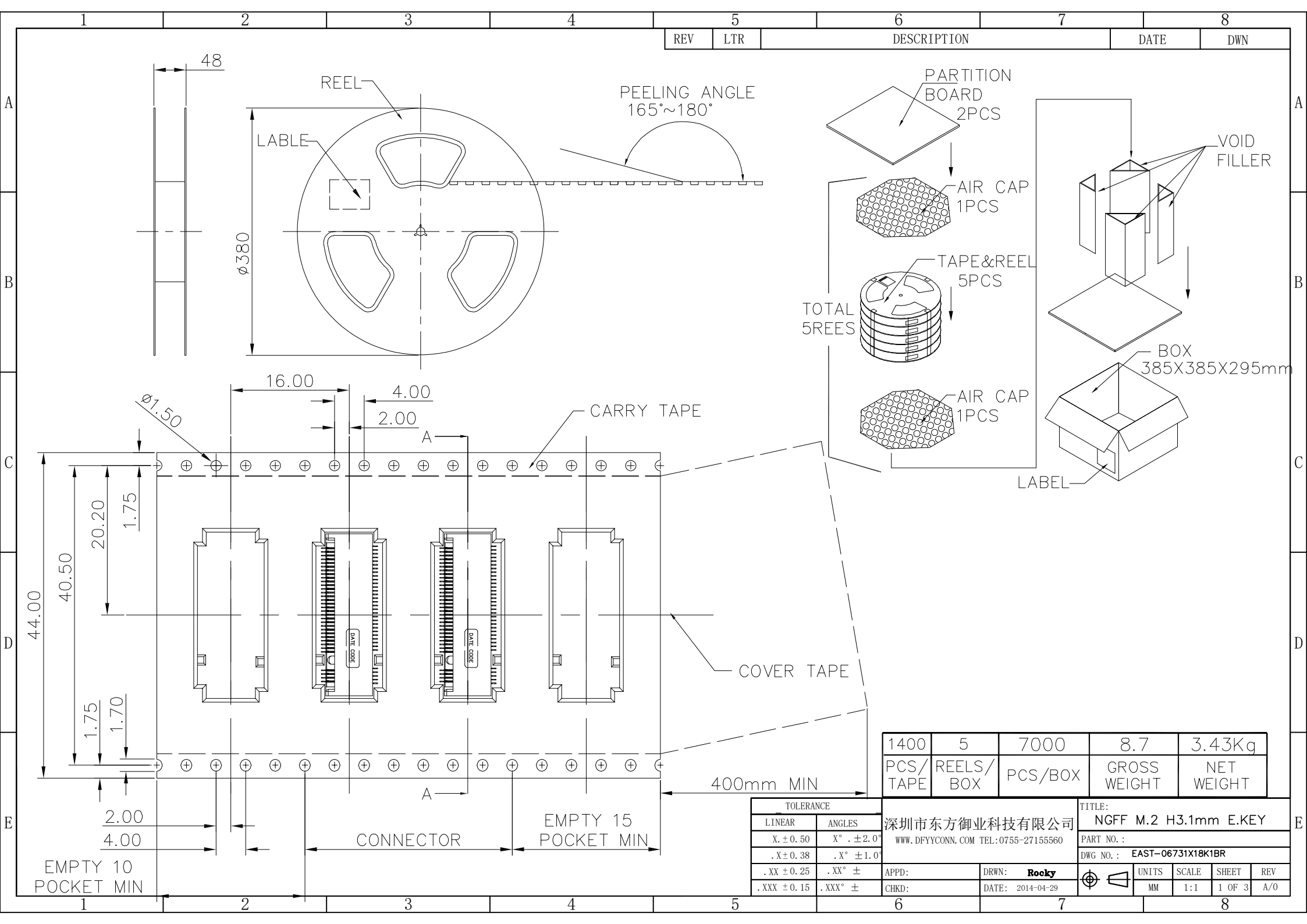


TOP SIDE

RECOMMENDED NGFF MINI CARD MOUNTING TYP PCB_LAYOUT



TOLERANCE		深圳市东方御业科技有限公司 WWW.DFYCONN.COM TEL:0755-27155560	TITLE: NGFF M.2 H3.1mm E.KEY			
LINEAR	ANGLES		PART NO. :			
X. ±0.50	X° . ±2.0°	DWG NO. : EAST-06731X18K1BR	UNITS	SCALE	SHEET	REV
.X ±0.38	.X° ±1.0°					
.XX ±0.25	.XX° ±	APPD:	DRWN: Rocky			
.XXX ±0.15	.XXX° ±	CHKD:	DATE: 2014-04-29			



REV	LTR	DESCRIPTION	DATE	DWN
-----	-----	-------------	------	-----

1400	5	7000	8.7	3.43Kg
PCS/TAPE	REELS/BOX	PCS/BOX	GROSS WEIGHT	NET WEIGHT

TOLERANCE		TITLE: NGFF M.2 H3.1mm E.KEY	PART NO.:	DWG NO.:	UNITS	SCALE	SHEET	REV
LINEAR	ANGLES							
X ± 0.50	X° ± 2.0°	深圳市东方御业科技有限公司 WWW.DFYCONN.COM TEL:0755-27155560	EAST-06731X18K1BR	APPD:	DRWN: Rocky	MM	1:1	1 OF 3
.X ± 0.38	.X° ± 1.0°							
.XX ± 0.25	.XX° ±	CHKD:	DATE: 2014-04-29					
.XXX ± 0.15	.XXX° ±							A/0

EMPTY 10 POCKET MIN

2.00

4.00

CONNECTOR

EMPTY 15 POCKET MIN

400mm MIN