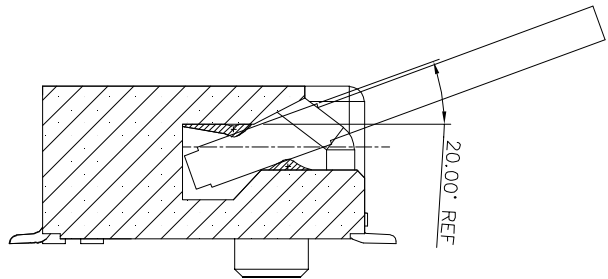
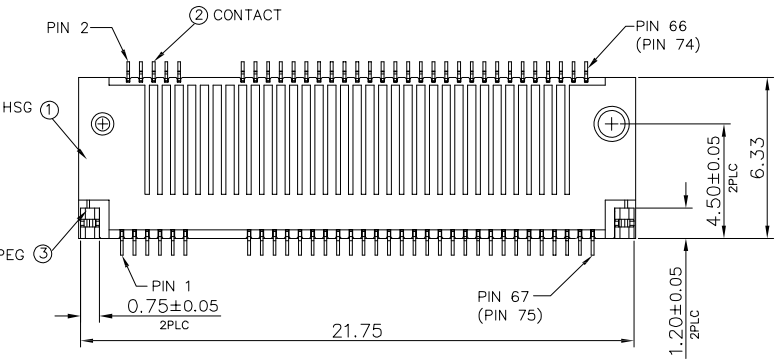
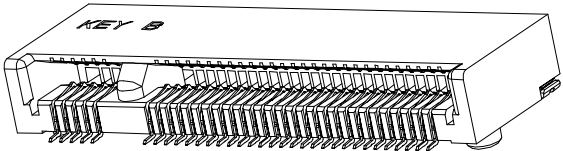
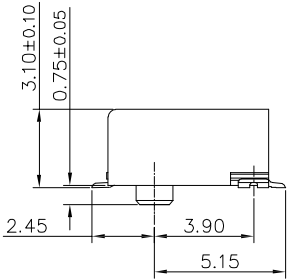
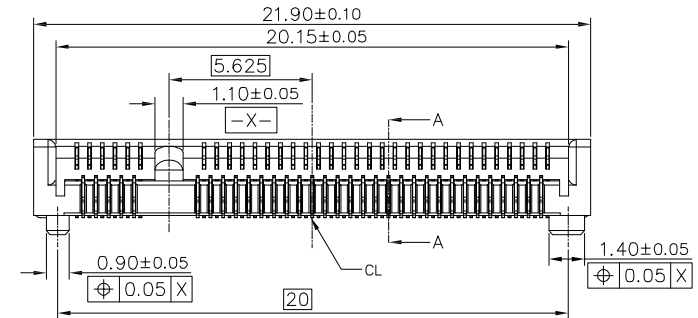


NOTES:  
 1.MATERIAL:  
 1.1 HOUSING:HIGH TEMPERATURE THERMOPLASTIC, UL94V-0,COLOR:BLACK.  
 1.2. CONTACT:COPPER ALLOY.  
 1.3. SOLDER PEG:STAINLESS STEEL.  
 2. FINISH:  
 2.1 CONTACT:UNDERPLATING NICKEL 50u" MIN ALL OVER. MATING AREA:GOLD PLATING, THICKNESS SEE TABLE LIST. SOLDER AREA:GOLD FLASH ON SOLDER TAIL.  
 2.2 SOLDER PEG:UNDERPLATING NICKEL 50u" MIN ALL OVER,80u" MIN MATTE TIN ON SURFACE  
 3. LOGO&DATE CODE : YYWDLX  
 YY: YEAR (09: 2009)  
 WW: WEEK (25: THE 25TH WEEK)  
 D: DAY (1~7: SUNDAY~SATURDAY)  
 L: LINE NUMBER OF ASSEMBLY (A: LINE A)  
 X: D OR N (D: DAY; N: NIGHT)  
 4.CONNECTOR ACTUAL PIN QUANTITY IS 67, AS THE KEY TAKING OUT 8 PINS.  
 5.PART NUMBER DESCRIPTION:



MATING SIMILAR  
SCALE: 2:1

※CHNEAST INFORMATION:※  
 EAST-067 31 X 15 K1 B R

No. of Pins

Plating:

- A-FlashGold (0.8u" Min)
- B-Gold 3u" Au
- C-Gold 5u" Au
- D-Gold 10u" Au
- E-Gold 15u" Au
- G-Gold 30u" Au

Environment Protection:  
 R for RoHS  
 G for GP  
 H for Halogen-free

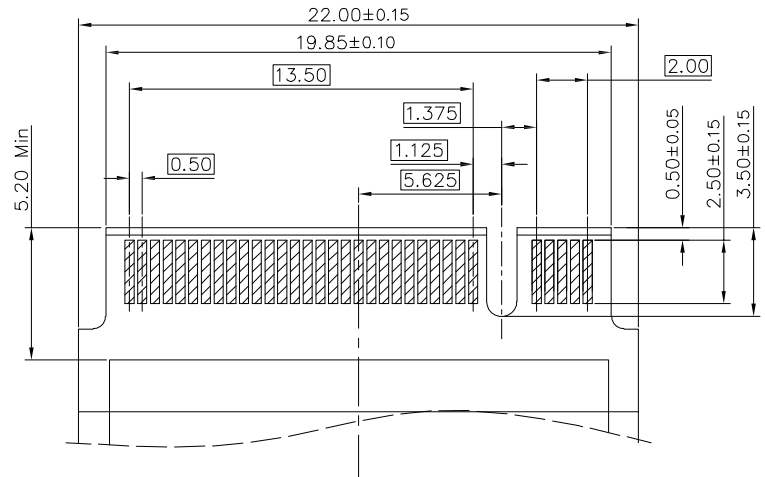
Packing:  
 A-Tube, B-Reel, C-Tray,

HSG Color:  
 K1Black, L1White

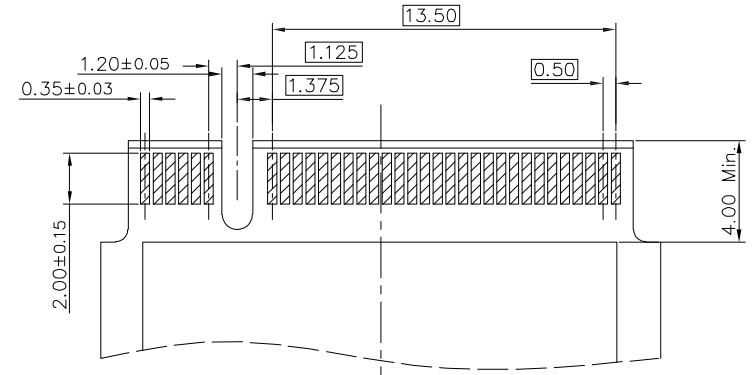
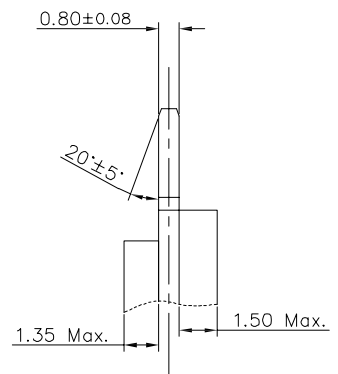
TOLERANCE		TITLE: NGFF M.2 H3.1mm B.KEY
LINEAR	ANGLES	
X. ±0.50	X° . ±2.0°	PART NO. : EAST-06731X15K1BR
.X ±0.38	.X° ±1.0°	
.XX ±0.25	.XX° ±	DWG NO. :
.XXX ±0.15	.XXX° ±	
APPD:	DRWN: Rocky	UNITS: MM
CHKD:	DATE: 2014-04-29	
深圳市东方御业科技有限公司 WWW.DFYCONN.COM TEL:0755-27155560		SCALE: 1:1
		SHEET: 1 OF 3
		REV: A/0

REV	LTR	DESCRIPTION	DATE	DWN
-----	-----	-------------	------	-----

PLUG PCB

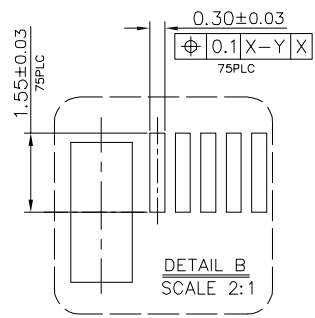
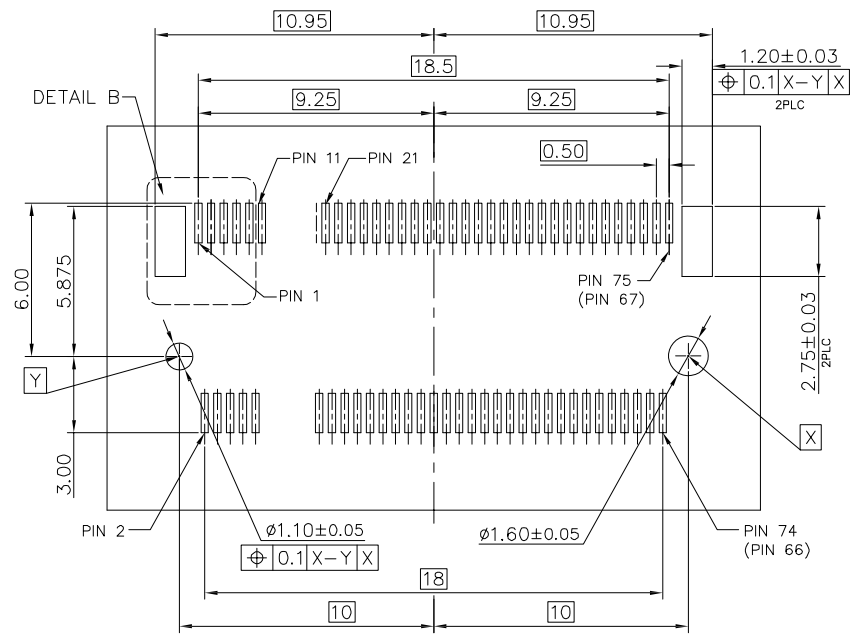


BOTTOM SIDE



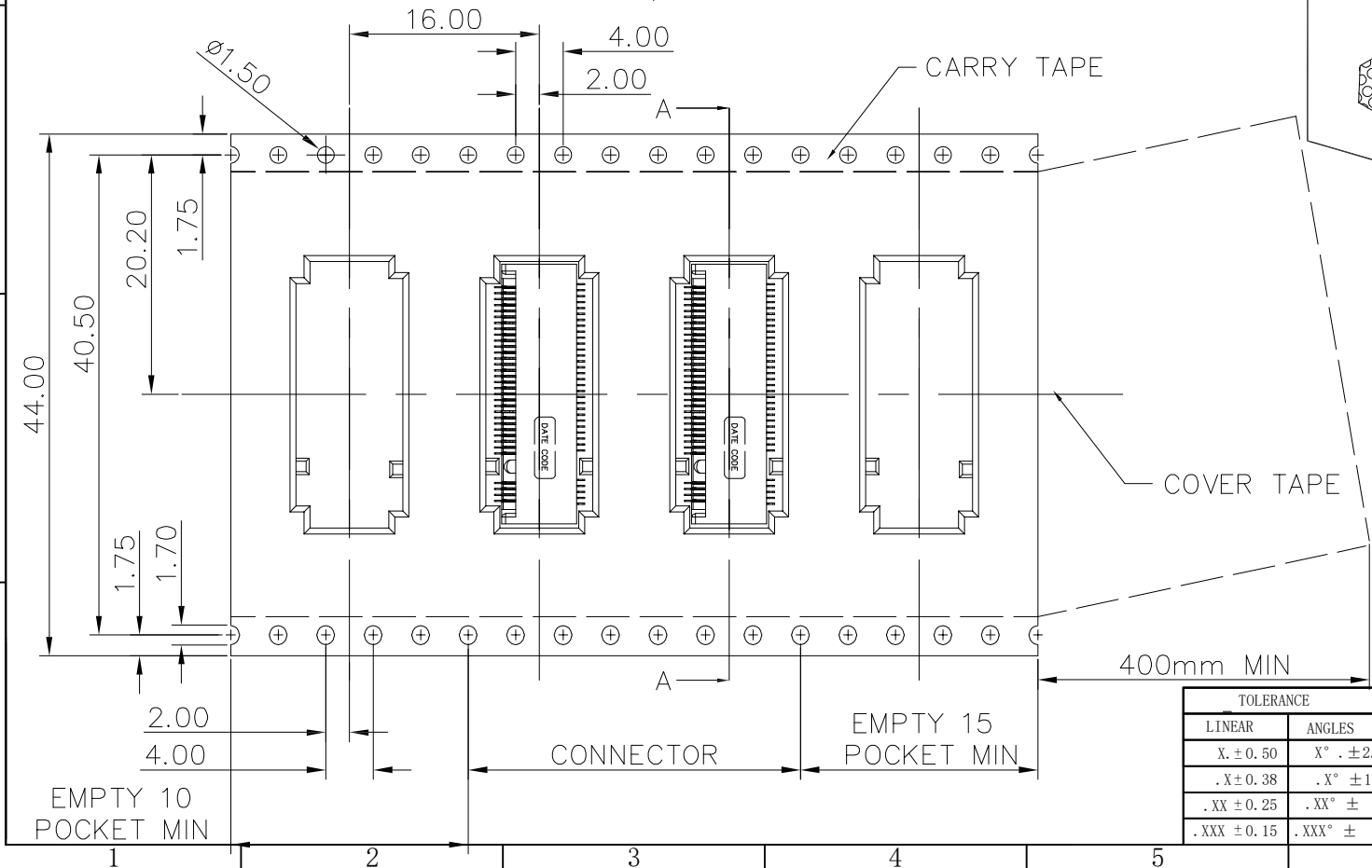
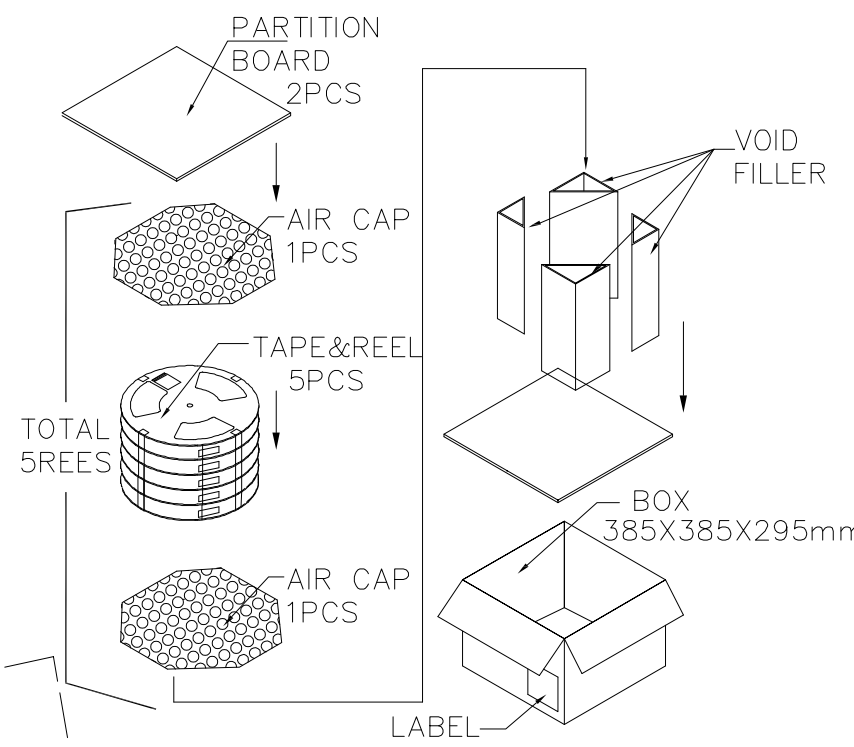
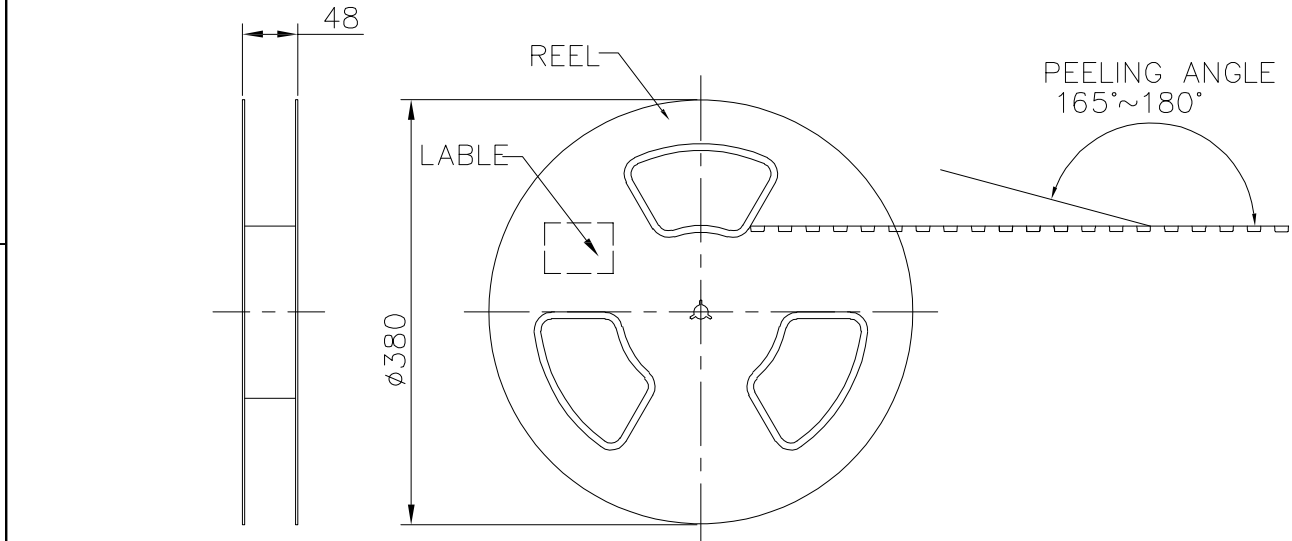
TOP SIDE

RECOMMENDED NGFF MOUNTING TYP PCB\_LAYOUT



TOLERANCE		深圳市东方御业科技有限公司 WWW.DFYCONN.COM TEL:0755-27155560	TITLE: NGFF M.2 H3.1mm B.KEY			
LINEAR	ANGLES		PART NO. :	EAST-06731X15K1BR		
X. ± 0.50	X° . ± 2.0°	DWG NO. :	UNITS	SCALE	SHEET	REV
.X ± 0.38	.X° ± 1.0°	APPD:	MM	1:1	1 OF 3	A/0
.XX ± 0.25	.XX° ±	DRWN: <b>Rocky</b>				
.XXX ± 0.15	.XXX° ±	CHKD:				
		DATE: 2014-04-29				

REV	LTR	DESCRIPTION	DATE	DWN
-----	-----	-------------	------	-----



1400	5	7000	8.7	3.43Kg
PCS/TAPE	REELS/BOX	PCS/BOX	GROSS WEIGHT	NET WEIGHT

TOLERANCE	
LINEAR	ANGLES
.X ± 0.50	.X° ± 2.0°
.XX ± 0.38	.XX° ± 1.0°
.XXX ± 0.25	.XXX° ±
.XXX ± 0.15	.XXX° ±

深圳市东方御业科技有限公司 WWW.DFYCONN.COM TEL:0755-27155560		TITLE: NGFF M.2 H3.1mm B.KEY PART NO.: EAST-06731X15K1BR DWG NO.:	
APPD:	DRWN: Rocky	UNITS: MM SCALE: 1:1	SHEET: 1 OF 3 REV: A/0
CHKD:	DATE: 2014-04-29		