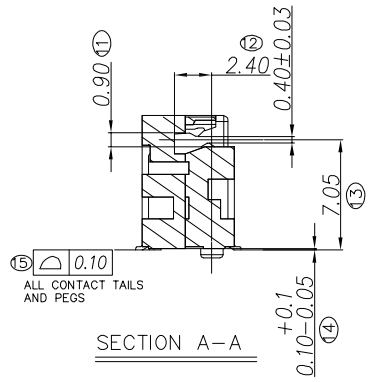
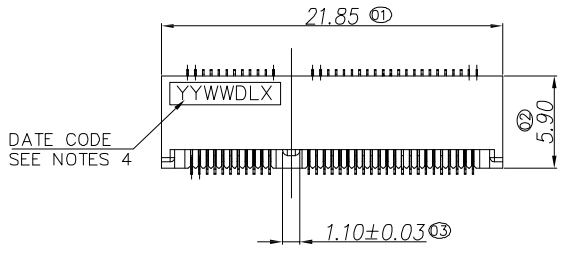


REV	LTR	DESCRIPTION	DATE	DWN
-----	-----	-------------	------	-----



NOTES:

- MATERIAL:
 - HOUSING: HIGH TEMPERATURE THERMOPLASTIC, UL94V-0, COLOR: BLACK
 - CONTACTS: COPPER ALLOY;
 - PEG: STAINLESS STEEL.
- REFLOW SOLDER CAPABLE TO 260°C.
- FINISH:

CONTACT: GOLD(SEE TABLE) PLATED ON CONTACT AREA AND GOLD FLASH SOLDER AREA. 50u" MIN NICKEL UNDERPLATING OVERALL.

PEG: 80u" MIN. MATTE-TIN PLATED ON SOLDERING AREA.

50u" MIN. NICKEL UNDERPLATING.
- DATE CODE : YYWWDLX

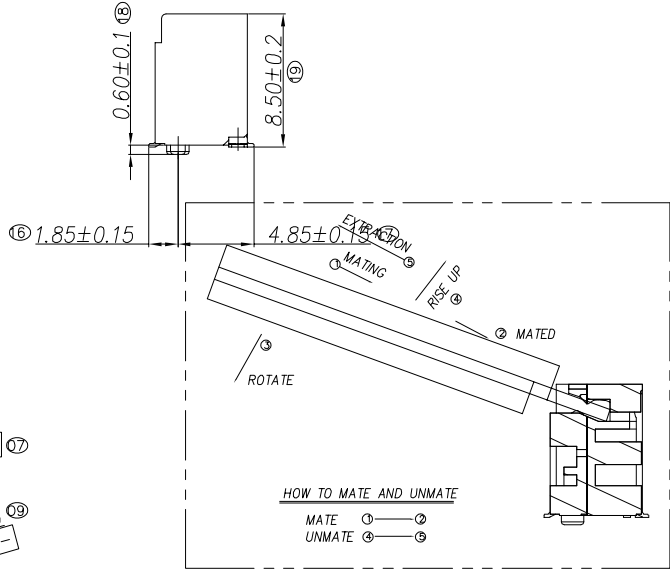
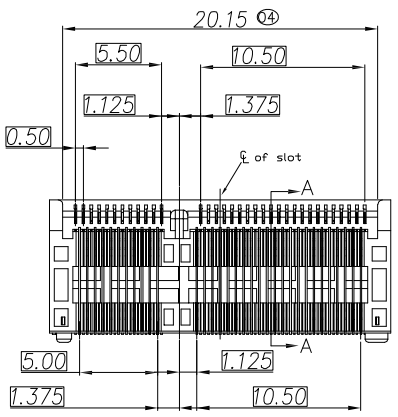
YY: YEAR (09: 2009)

WW: WEEK (25: THE 25TH WEEK)

D: DAY (1~7: SUNDAY~SATURDAY)

L: LINE NUMBER OF ASSEMBLY (A: LINE A)

X: D OR N (D: DAY; N: NIGHT)
- CONNECTOR ACTUAL PIN QUANTITY IS 67, AS THE KEY TAKING OUT 8 PINS.
- PART NUMBER DESCRIPTION:



CHNEAST INFORMATION
EAST-067 85 X 18 K1 B R

No. of Pins

Plating:

A-FlashGold (0.8u" Min)

B-Gold 3u" Au

C-Gold 5u" Au

D-Gold 10u" Au

E-Gold 15u" Au

G-Gold 30u" Au

Environment Protection:

R for RoHS

G for GP

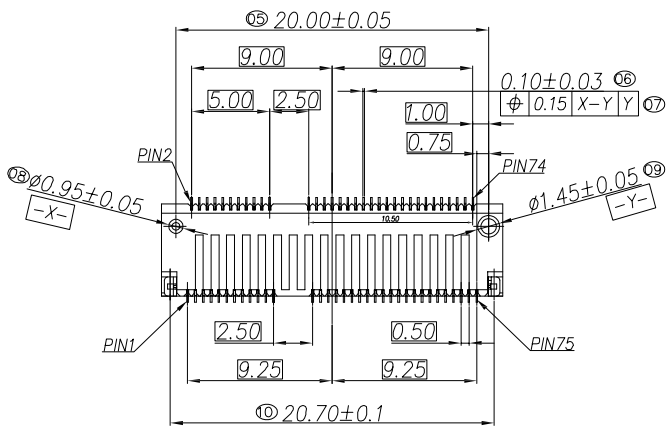
H for Halogen-free

Packing:

A-Tube, B-Reel, C-Tray,

HSG Color:

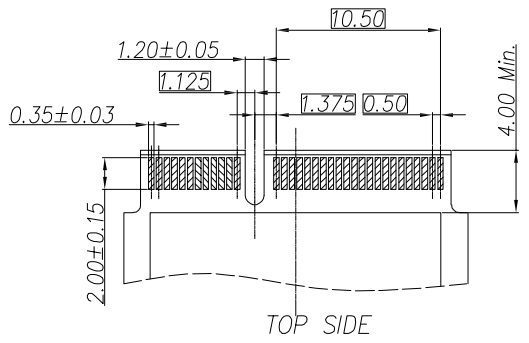
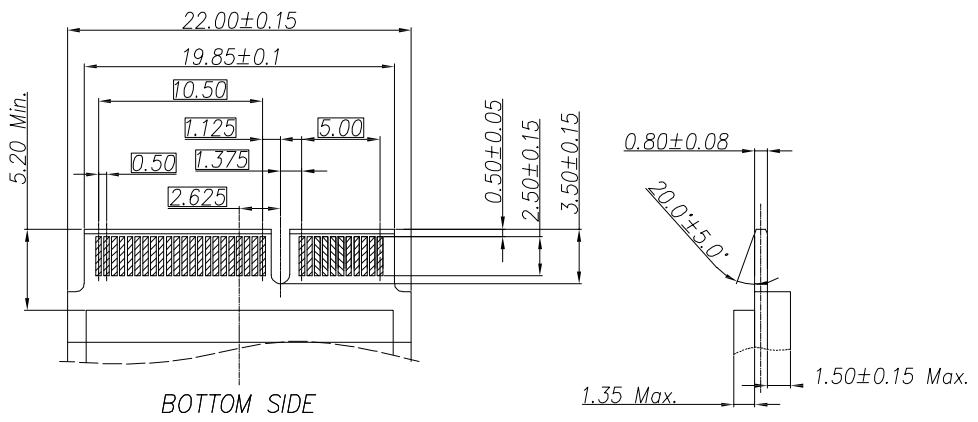
K1:Black, L1:White



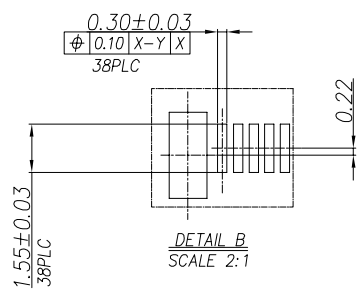
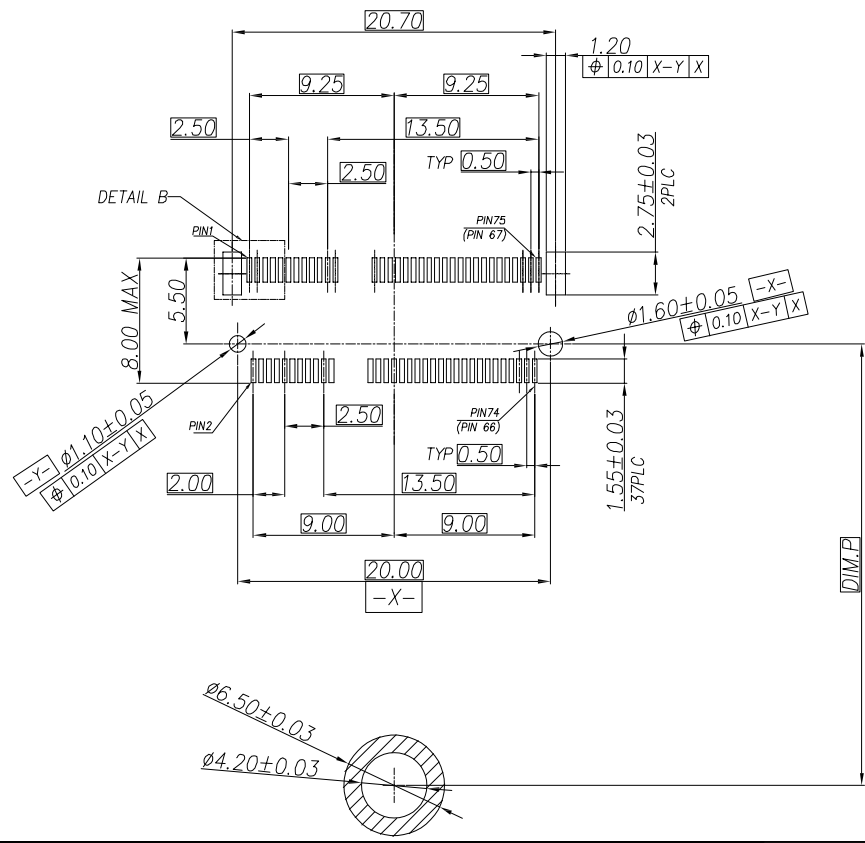
TOLERANCE		深圳市东方御业科技有限公司 WWW.DFYCONN.COM Tel:0755-27155560	TITLE: NGFF 8.5H EKEY Conn. Assembly Packing Drawing			
LINEAR	ANGLES		CUSTOMER COPY	PART NO.:	EAST-06785A18K1BR	REV
X.±0.50	X°.±2.0°	APPD:	DWG NO.:	EAST-06785-18	A/0	
.X±0.38	.X°.±1.0°	DRWN: Rocky	UNITS	SCALE	SHEET	
.XX±0.25	.XX°.±	DATE: 2016-3-1	MM	1:1	1 OF 2	
.XXX±0.10	.XXX°.±	CHKD:				

REV	LTR	DESCRIPTION	DATE	DWN
-----	-----	-------------	------	-----

PLUG PCB



RECOMMENDED PCB LAYOUT



2210	107.60
2280	77.60
2260	57.60
2242	39.60
2230	27.60
3042	39.60
3030	27.60
MODULE TYPE	DIM.P

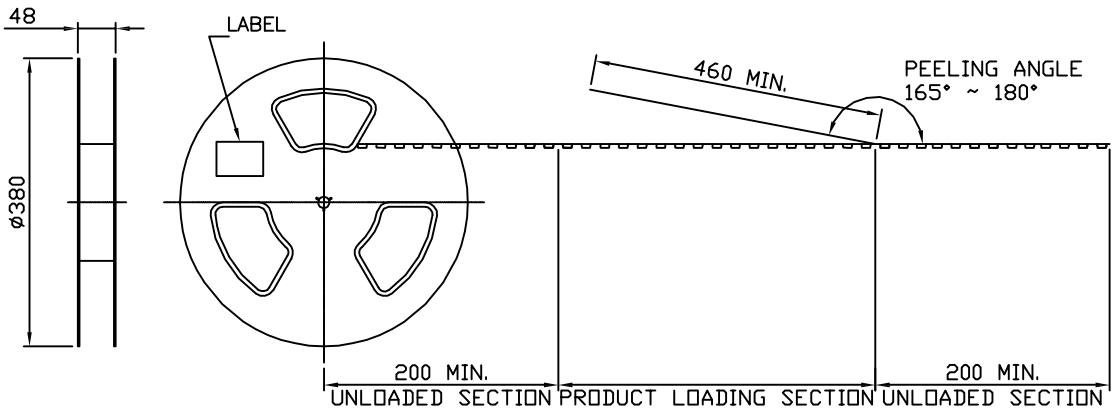
TOLERANCE	
LINEAR	ANGLES
X ±0.50	X° ±2.0°
.X ±0.38	.X° ±1.0°
.XX ±0.25	.XX° ±
.XXX ±0.10	.XXX° ±

深圳市东方御业科技有限公司
WWW.DFYCONN.COM Tel:0755-27155560

APPD: DRWN: Rocky
CHKD: DATE: 2016-3-1

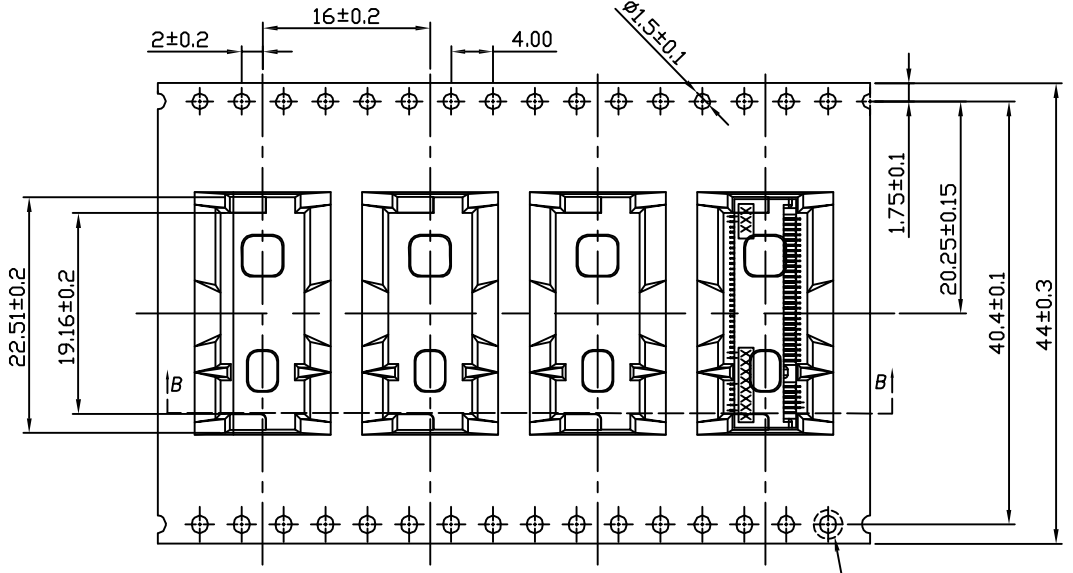
TITLE: NGFF 8.5H EKEY Conn. Assembly Packing Drawing			
CUSTOMER COPY	PART NO.: EAST-06785A18K1BR	UNITS	SCALE
DWG NO.: EAST-06785-18	SHEET	REVISION	
MM	1:1	1 OF 2	A/0

EMBOSS WIDTH 44mm, SLOT FORWARD

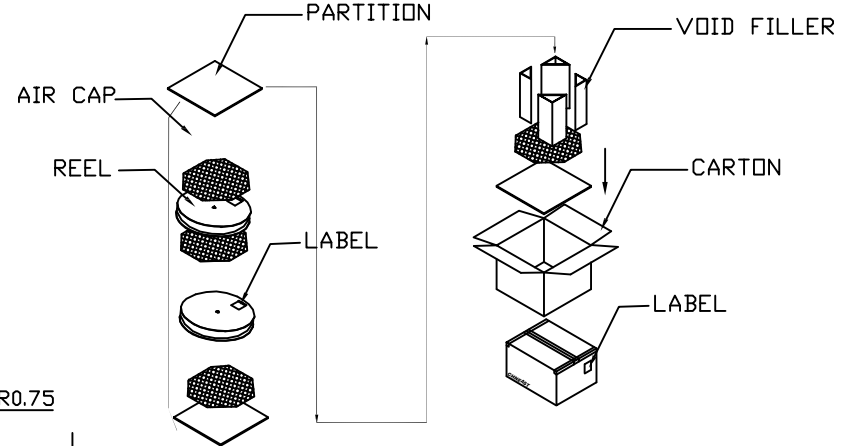
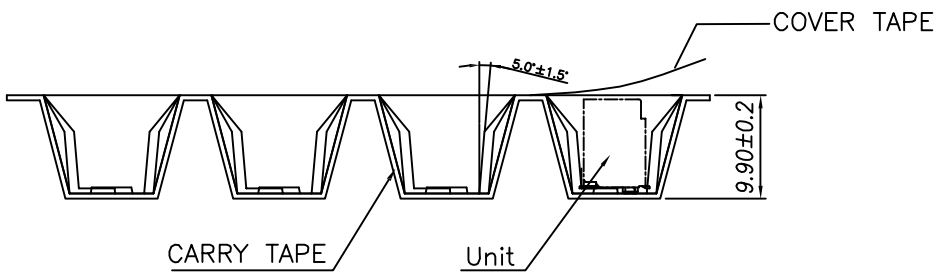
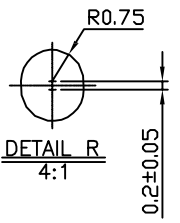


NOTES :

- MATERIAL :
COVER TAPE : ANTISTATIC P.S T=0.05±0.01 ,COLOR:CLEAR
CARRIER TAPE : ANTISTATIC P.S T=0.40±0.10,COLOR:BLACK
REEL : PS UL94V-0
CARTON: CORRUGATED FIBER
- DIMENSION :
REEL : SEE DRAWING
SHIPPING BOX: 385X385X295mm
- QUANTITY : SEE TABLE
- PEELING RESISTANCE : 10gf~130gf (for 12~56mm)
- PEELING SPEED : 300mm/MINUTES



DETAIL R



500	5	2500
PCS/ REEL	REEL/ CARTON	PCS/ CARTON

TOLERANCE		深圳市东方御业科技有限公司 WWW.DFYCONN.COM Tel:0755-27155560	TITLE: NGFF 8.5H Conn. Assembly Packing Drawing					
LINEAR	ANGLES		CUSTOMER COPY	PART NO.:				
X.±0.50	X°.±2.0°		APPD:	DRWN: Rocky	UNITS	SCALE	SHEET	REV
.X ±0.38	.X°±1.0°		CHKD:	DATE: 2016-3-1	MM	1:1	1 OF 2	A/0