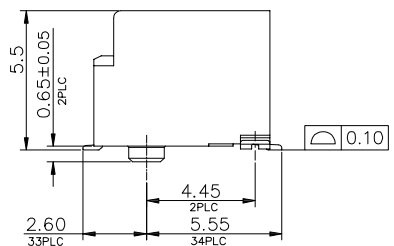
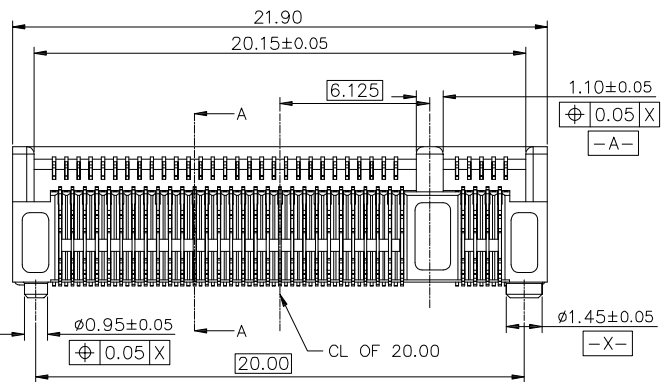
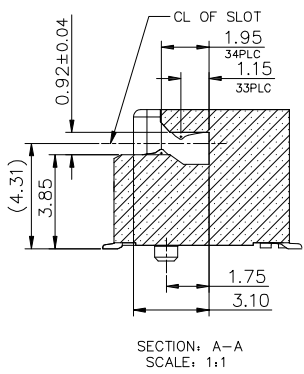
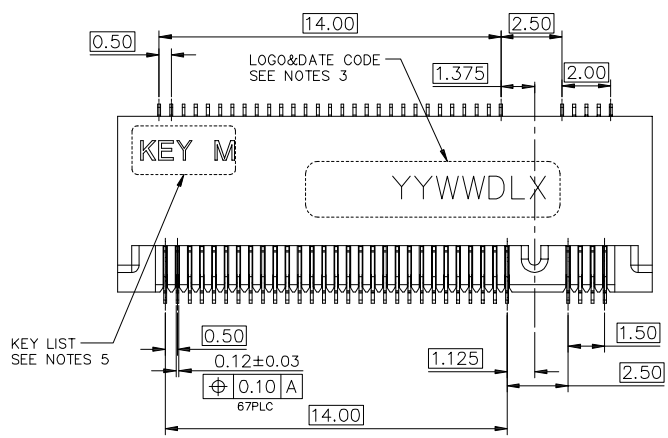


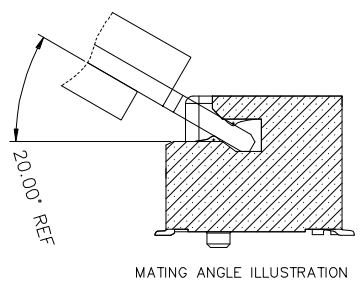
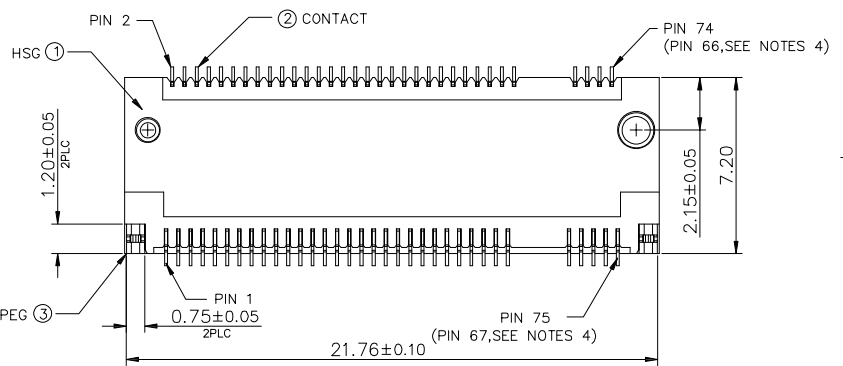
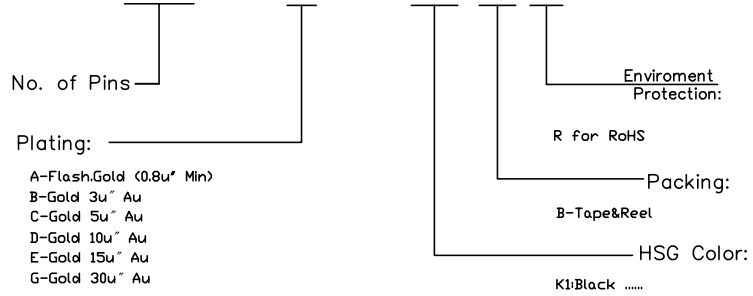
NOTES:

- MATERIAL:
  - HOUSING: HIGH TEMPERATURE THERMOPLASTIC, UL94V-0, COLOR: BLACK
  - CONTACT: COPPER ALLOY.
  - SOLDER PEG: STAINLESS STEEL.
- FINISH:
  - CONTACT: UNDERPLATING NICKEL 50u" MIN OVERALL, GF PLATING ON SOLDER AREA. CONTACT AREA: SEE TABLE,
  - SOLDER PEG: MATTE TIN 80u" MIN. AND NICKEL 50u" MIN UNDER PLATED.
- LOGO & DATE CODE: LOGO: DR OR DEREN, DATE CODE: YYWWDLX  
 YY: YEAR (09: 2009)  
 WW: WEEK (25: THE 25TH WEEK)  
 D: DAY (1~7: SUNDAY~SATURDAY)  
 L: LINE NUMBER OF ASSEMBLY  
 X: D OR N, D: DAY, N: NIGHT
- CONNECTOR ACTUAL PIN QUANTITY IS 67, AS THE KEY TAKING OUT 8 PINS.
- PART NUMBER DESCRIPTION:



\*CHNEAST INFORMATION:\*

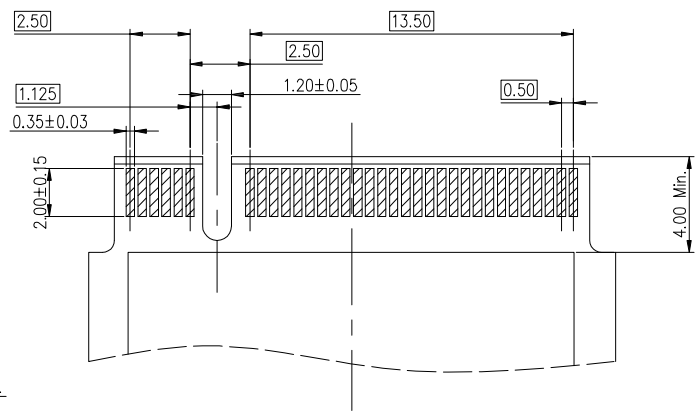
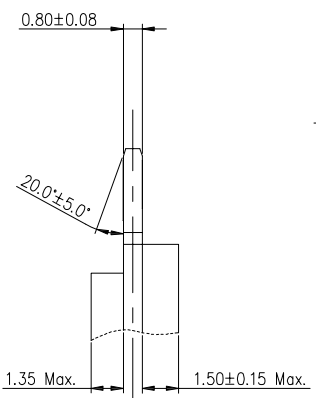
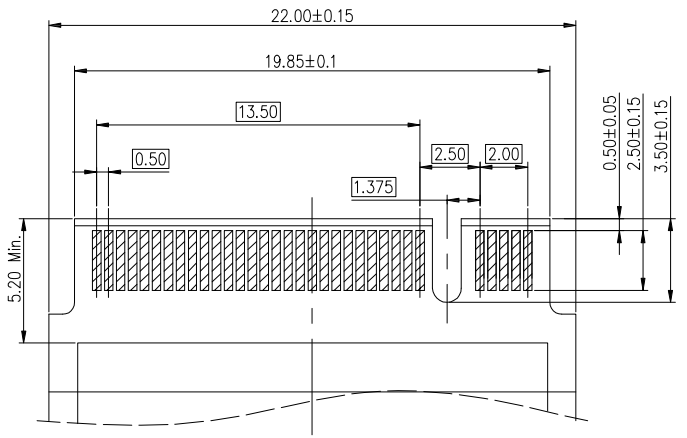
EAST-067 55 X 25 K1 B R



TOLERANCE		深圳市东方御业科技有限公司 WWW.DFYCONN.COM TEL:0755-27155560	TITLE: NGFF(M.2) 55H KEY-M Connector			
LINEAR	ANGLES		CUSTOMER COPY	PART NO.:	SHEET	REV
X.±0.50	X°.±2.0°		EAST-06755-25	1 OF 2	A/0	
.X±0.38	.X°±1.0°					
.XX±0.25	.XX°±	APPD:	DRWN: Rocky	UNITS	SCALE	
.XXX±0.15	.XXX°±	CHKD:	DATE: 2016-9-29	MM	1:1	

PLUG PCB

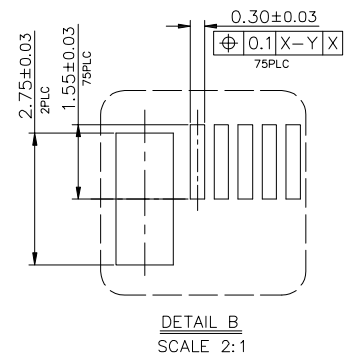
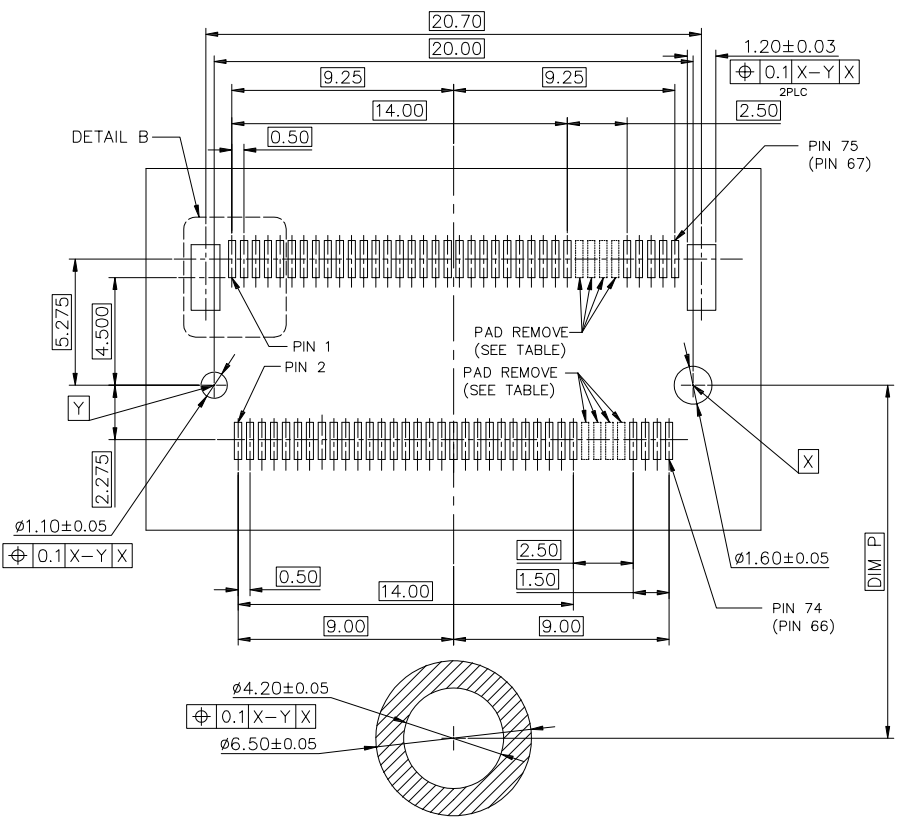
SEE SHEET 1/4



BOTTOM SIDE

TOP SIDE

RECOMMENDED PCB LAYOUT

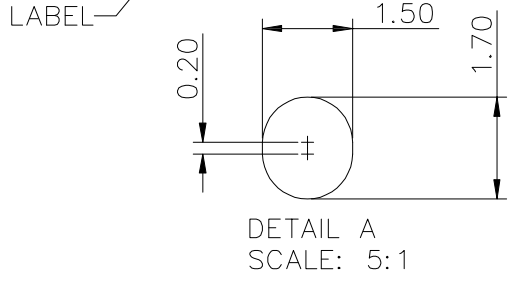
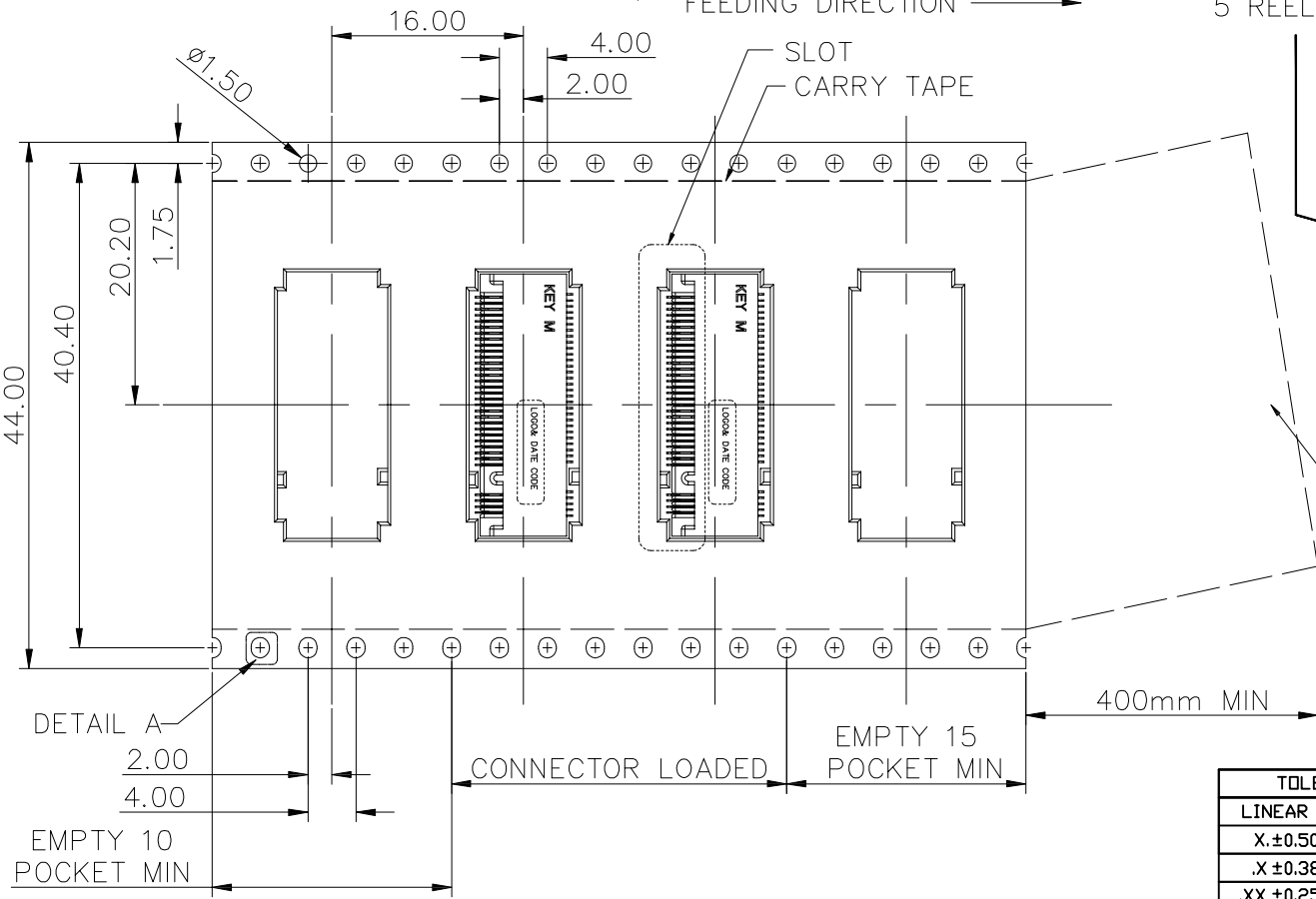
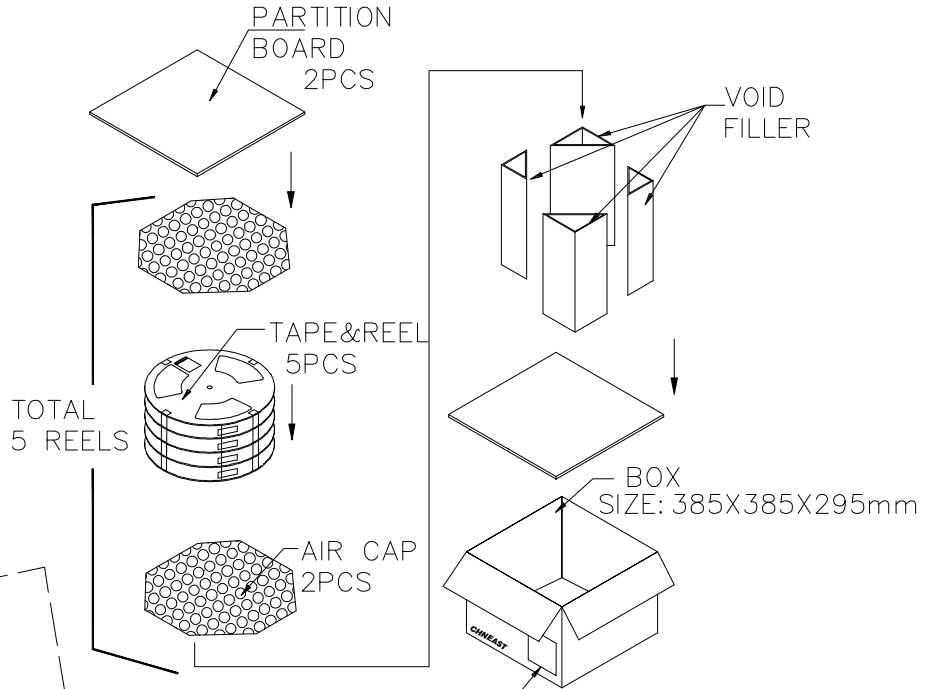
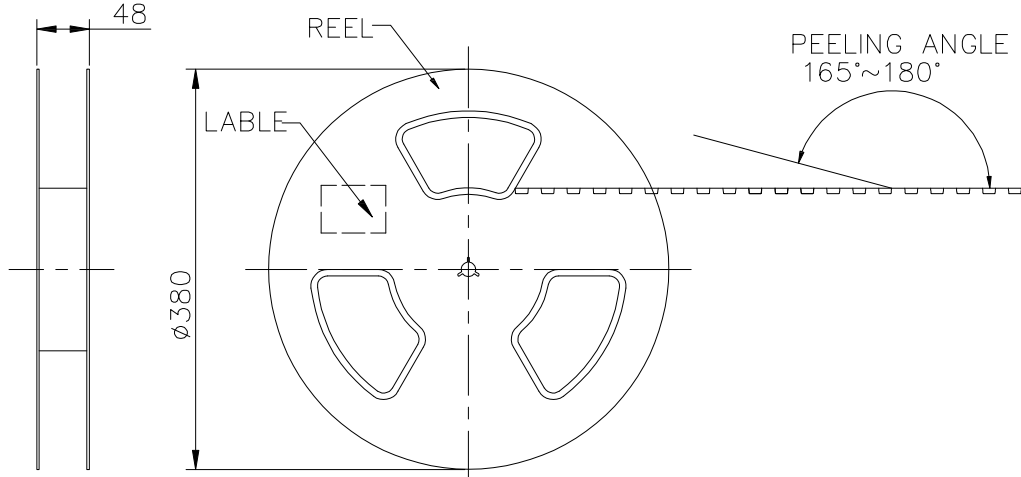


22110	108.25
2280	78.25
2260	58.25
2242	40.25
2230	28.25
3042	40.25
3030	28.25
MODULE TYPE	DIM P

TOLERANCE		TITLE:	
LINEAR	ANGLES	NGFF(M.2) 5.5H KEY-M Connector	
X.±0.50	X°.±2.0°	深圳市东方御业科技有限公司	
.X ±0.38	.X°±1.0°	WWW.DFYCONN.COM TEL:0755-27155560	
.XX ±0.25	.XX°±	CUSTOMER	PART NO.: EAST-06755-25
.XXX ±0.15	.XXX°±	APPD:	DRWN: Rocky
		CHKD:	DATE: 2016-9-29
			UNITS: MM
			SCALE: 1:1
			SHEET: 2 OF 2
			REV: A/0

REV	LTR	DESCRIPTION	DATE	DWN
-----	-----	-------------	------	-----

SEE SHEET 1/4



900	5	4500	X.XXKg	X.XXKg
PCS/REEL	REELS/BOX	PCS/BOX	GROSS WEIGHT	NET WEIGHT

TOLERANCE	
LINEAR	ANGLES
X.±0.50	X*±2.0°
.X ±0.38	.X*±1.0°
.XX ±0.25	.XX*±
.XXX ±0.15	.XXX*±

深圳市东方御业科技有限公司  
 WWW.DFYCONN.COM TEL:0755-27155560

APPD: DRWN: Rocky  
 CHKD: DATE: 2016-9-29

TITLE: NGFF(M.2) 5.5H KEY-M Connector			
CUSTOMER COPY	PART NO.: EAST-06755-25	UNITS	SCALE
	DWG NO.: EAST-06755-25	SHEET	REV
		MM	1:1
		2 OF 2	A/0