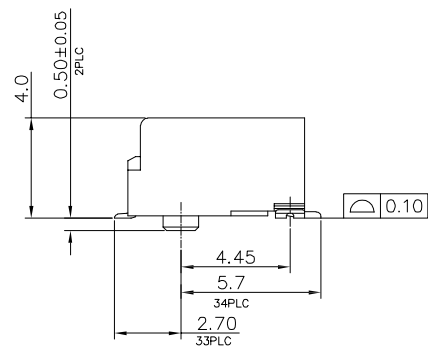
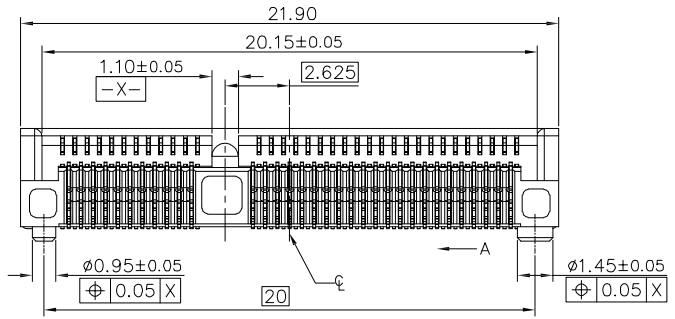


NOTES:  
 1. MATERIAL:  
 1.1 HOUSING: HIGH TEMPERATURE THERMOPLASTIC, UL94V-0, COLOR: BLACK  
 1.2 CONTACT: COPPER ALLOY.  
 1.3 SOLDER PEG: STAINLESS STEEL.  
 2. FINISH:  
 2.1 CONTACT: UNDERCOAT NICKEL 50u" MIN ALL OVER.  
 Au GF PLATING ON SOLDER TAIL. CONTACT AREA: SEE TABLE,  
 2.2 SOLDER PEG: MATTE TIN 80u" MIN. AND NICKEL 50u" MIN UNDERPLATED.  
 3. DATE CODE : YYWDDLX  
 YY: YEAR (09: 2009)  
 WW: WEEK (25: THE 25TH WEEK)  
 D: DAY (1~7: SUNDAY~SATURDAY)  
 L: LINE NUMBER OF ASSEMBLY (A: LINE A)  
 X: D OR N (D: DAY; N: NIGHT)  
 4. CONNECTOR ACTUAL PIN QUANTITY IS 67, AS THE KEY TAKING OUT 8 PINS.



\*CHNEAST INFORMATION:\*

EAST-067 40 X 18 K1 B R

No. of Pins: 40  
 X: 18  
 K1: K1  
 B: B  
 R: R

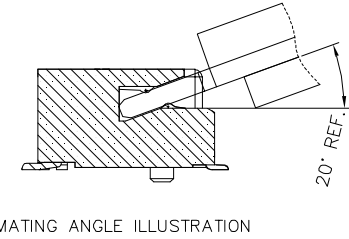
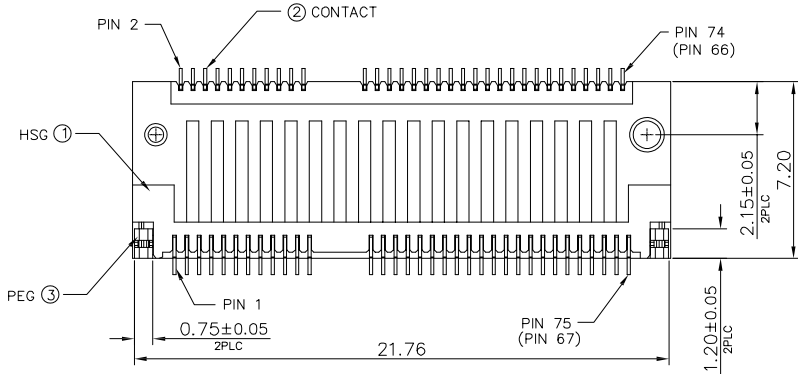
Environment Protection:  
 R For RoHS  
 G For GP  
 H For Halogen-free

Plating:  
 A-Flash Gold (0.8u" Min)  
 B-Gold 3u" Au  
 C-Gold 5u" Au  
 D-Gold 10u" Au  
 E-Gold 15u" Au  
 G-Gold 30u" Au

Packing:  
 A-Tube, B-Reel, C-Tray

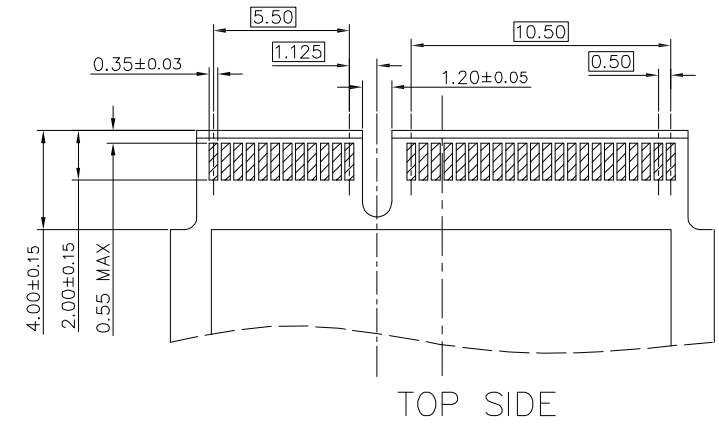
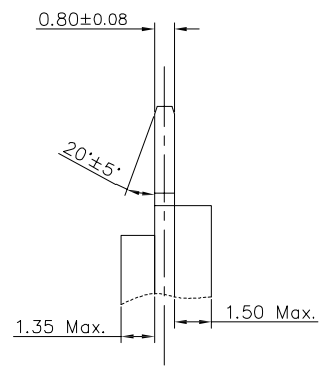
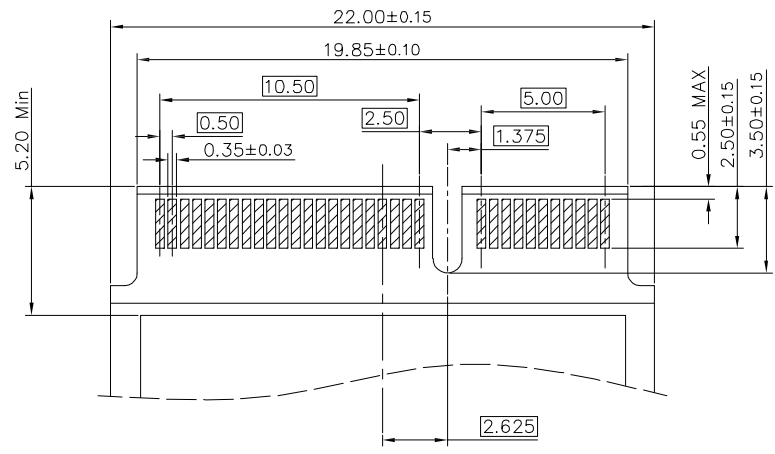
HSG Color:  
 K1: Black, L1: White

E.KEY

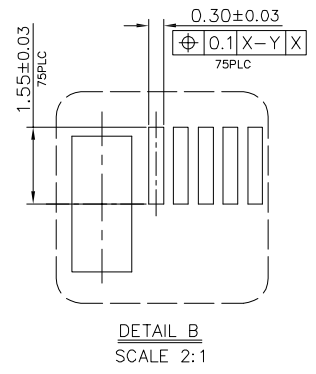
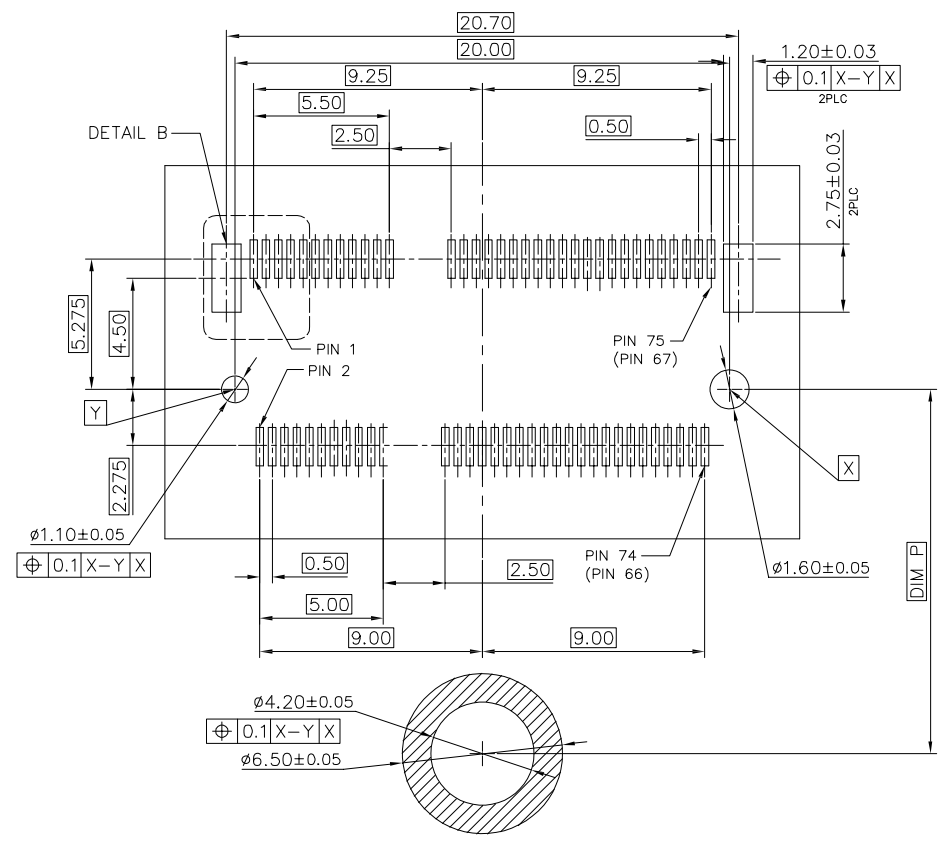


TOLERANCE		深圳市东方御业科技有限公司 WWW.DFYCONN.COM TEL:0755-27155560	TITLE: NGFF Connector 4.0H E.KEY				
LINEAR	ANGLES		PART NO.:	DWG NO.:	UNITS	SCALE	SHEET
X.±0.50	X°.±2.0°			MM	1:1	1 OF 3	A/0
.X±0.38	.X°.±1.0°						
.XX±0.25	.XX°.±	APPD:	DRWN: Rocky				
.XXX±0.15	.XXX°.±	CHKD:	DATE: 2016-9-29				

REV	LTR	DESCRIPTION	DATE	DWN
-----	-----	-------------	------	-----



BOTTOM SIDE  
RECOMMENDED PCB LAYOUT

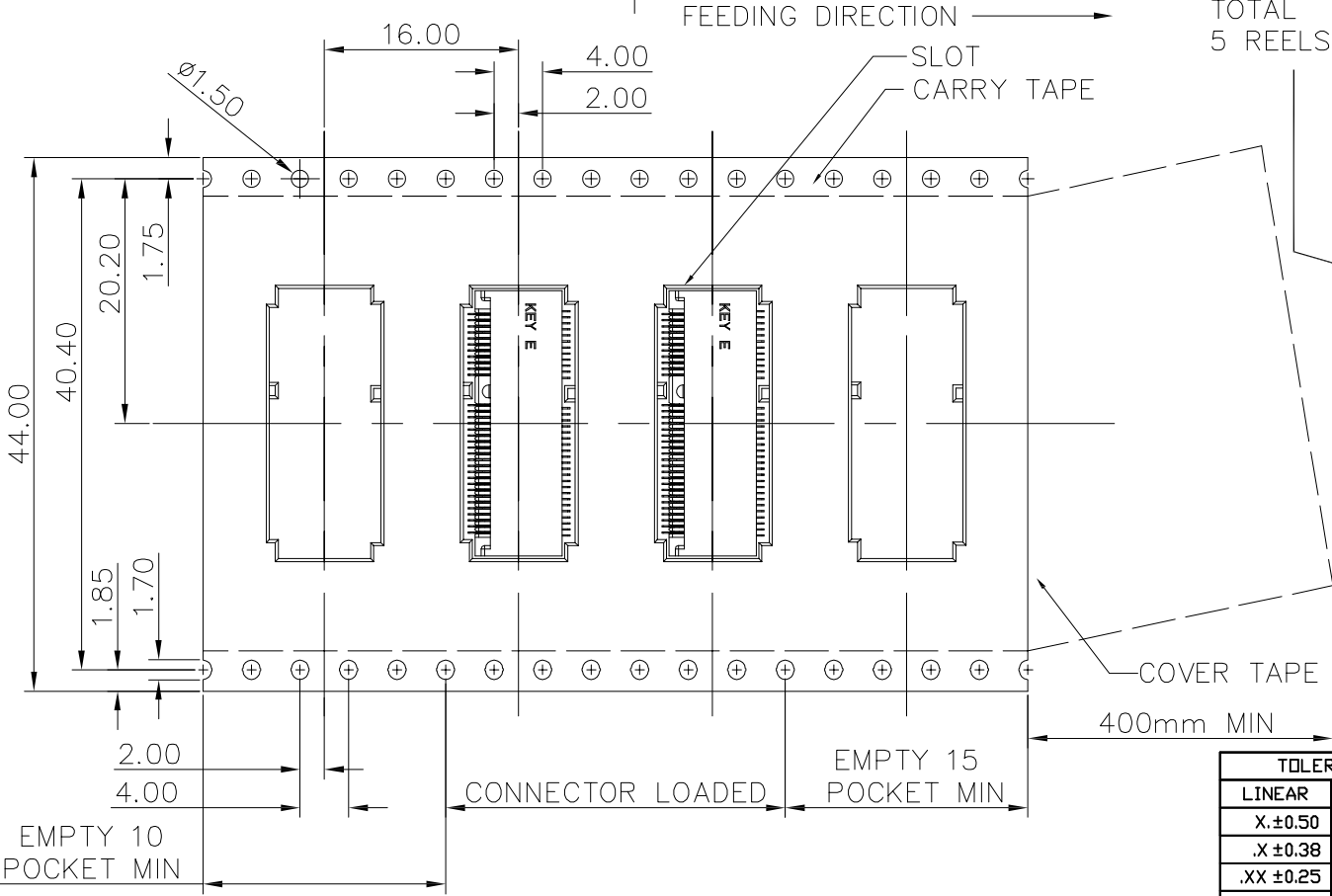
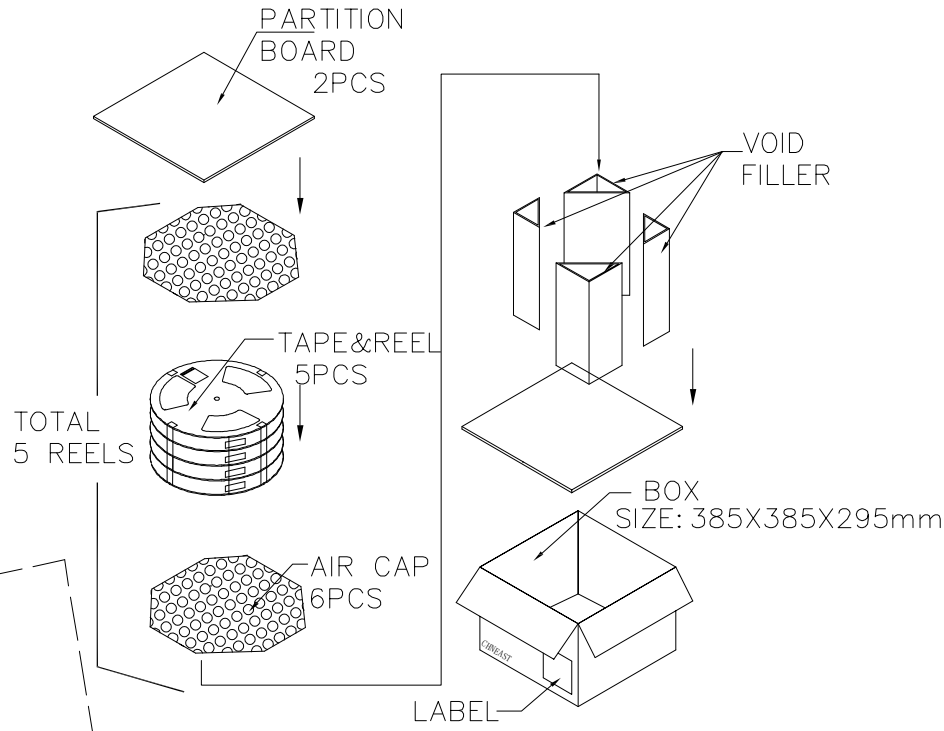
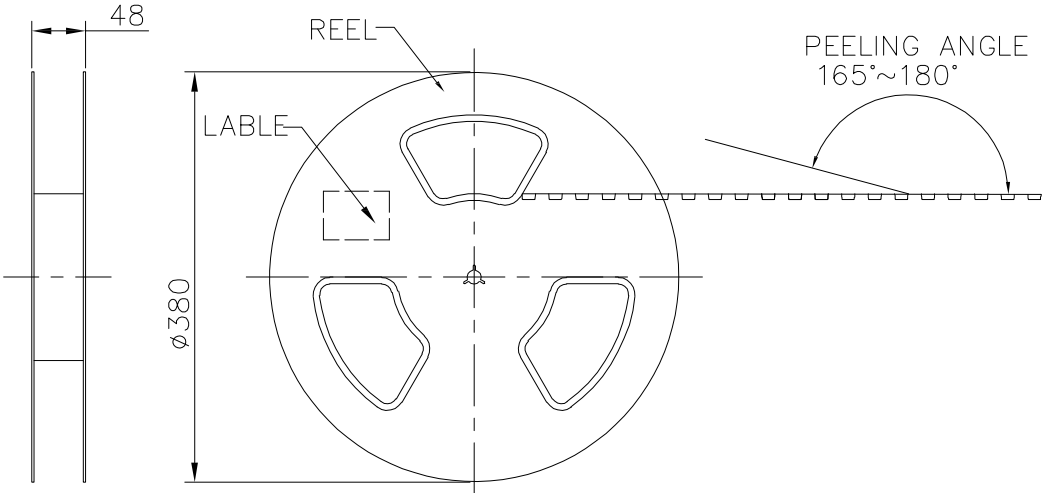


2210	108.25
2280	78.25
2260	58.25
2242	40.25
2230	28.25
3042	40.25
3030	28.25
MODULE TYPE	DIM P

TOLERANCE		深圳市东方御业科技有限公司 WWW.DFYCONN.COM TEL:0755-27155560	TITLE: NGFF Connector 4.0H E.KEY				
LINEAR	ANGLES		PART NO.:	DWG NO.:	UNITS	SCALE	SHEET
X.±0.50	X°.±2.0°	APPD:	DRWN: Rocky	MM	1:1	1 OF 3	A/0
.X ±0.38	.X°±1.0°						
.XX ±0.25	.XX°±	CHKD:	DATE: 2016-9-29				
.XXX ±0.15	.XXX°±						

WIDTH IS 44mm, SLOT BACKWARD

REV	LTR	DESCRIPTION	DATE	DWN
-----	-----	-------------	------	-----



TOLERANCE	
LINEAR	ANGLES
X.±0.50	X°.±2.0°
.X±0.38	.X*±1.0°
.XX±0.25	.XX*±
.XXX±0.15	.XXX*±

深圳市东方御业科技有限公司  
 WWW.DFYCONN.COM TEL:0755-27155560  
 APPD: \_\_\_\_\_  
 DRWN: Rocky  
 DATE: 2016-9-29  
 CHKD: \_\_\_\_\_

TITLE: NGFF Connector 4.0H E.KEY			
PART NO.: _____			
DWG NO.: _____			
UNITS	SCALE	SHEET	REV
MM	1:1	1 OF 3	A/0