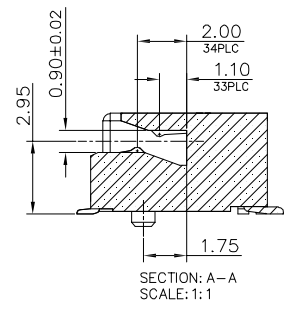
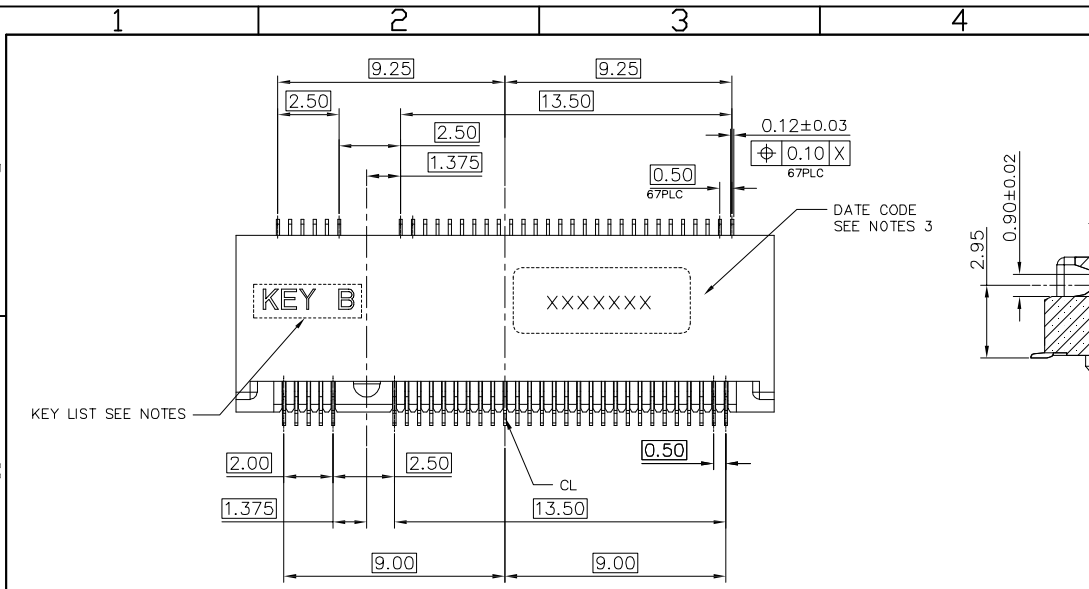
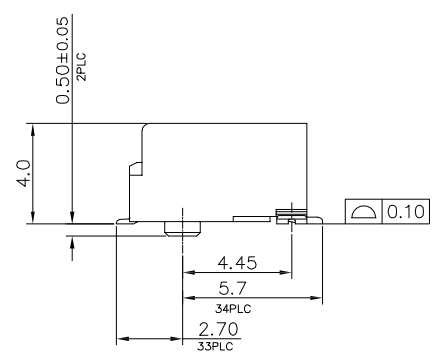
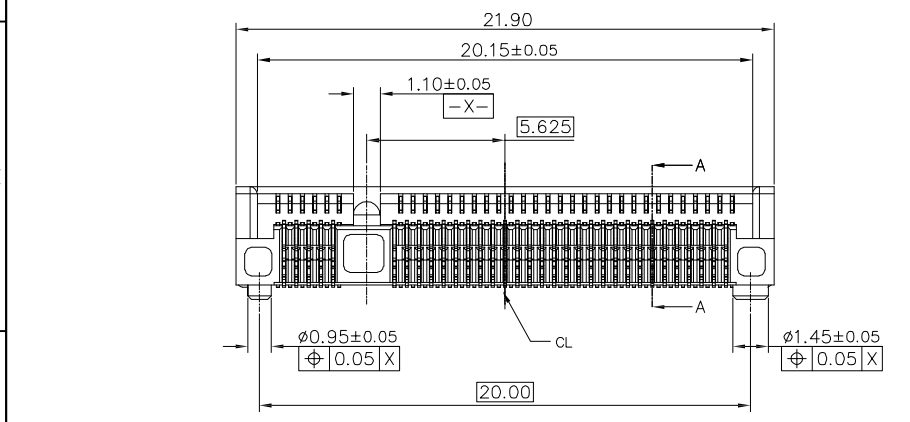


REV	LTR	DESCRIPTION	DATE	DWN
-----	-----	-------------	------	-----



NOTES:
 1. MATERIAL:
 1.1 HOUSING: HIGH TEMPERATURE THERMOPLASTIC, UL94V-0, COLOR: BLACK
 1.2 CONTACT: COPPER ALLOY.
 1.3 SOLDER PEG: STAINLESS STEEL.
 2. FINISH:
 2.1 CONTACT: UNDERCOAT NICKEL 50u" MIN ALL OVER.
 Au GF PLATING ON SOLDER TAIL. CONTACT AREA: SEE TABLE,
 2.2 SOLDER PEG: MATTE TIN 80u" MIN. AND NICKEL 50u" MIN UNDERPLATED.
 3. DATE CODE : YYWDLX
 YY: YEAR (09: 2009)
 WW: WEEK (25: THE 25TH WEEK)
 D: DAY (1~7: SUNDAY~SATURDAY)
 L: LINE NUMBER OF ASSEMBLY (A: LINE A)
 X: D OR N (D: DAY; N: NIGHT)
 4. CONNECTOR ACTUAL PIN QUANTITY IS 67, AS THE KEY TAKING OUT 8 PINS.



CHNEAST INFORMATION:

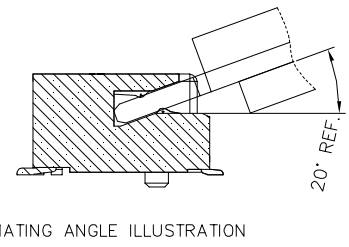
EAST-067 40 X 15 K1 B R

No. of Pins: 40
 X: 15
 K1: K1
 B: B
 R: R

Environment Protection:
 R For RoHS
 G For GP
 H For Halogen-free

Packing:
 A-Tube, B-Reel, C-Tray,
 HSG Color:
 K1: Black, L1: White
 B: KEY

Plating:
 A-Flash Gold (0.8u" Min)
 B-Gold 3u" Au
 C-Gold 5u" Au
 D-Gold 10u" Au
 E-Gold 15u" Au
 G-Gold 30u" Au

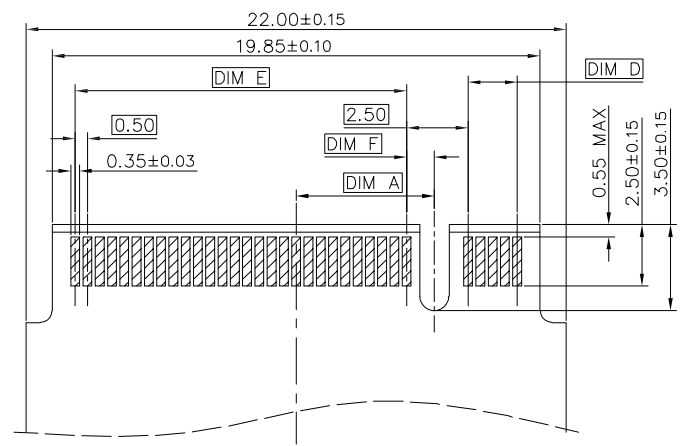


TOLERANCE		TITLE: NGFF Connector 4.0H B.KEY			
LINEAR	ANGLES				
X.±0.50	X°.±2.0°	PART NO.:			
.X ±0.38	.X°±1.0°		DWG NO.:		
.XX ±0.25	.XX°±	UNITS		SCALE	SHEET
.XXX ±0.15	.XXX°±	MM	1:1	1 OF 3	A/0

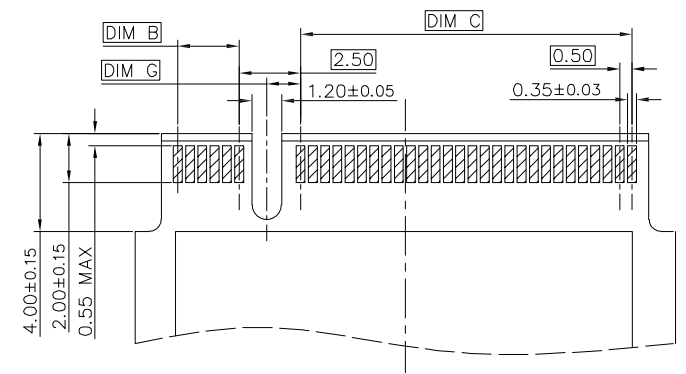
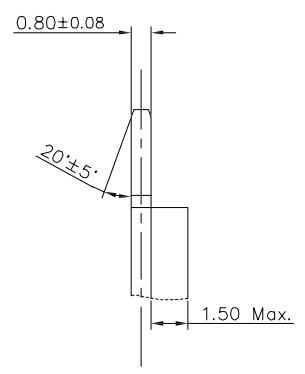
APPD: DRWN: Rocky
 CHKD: DATE: 2016-9-29

深圳市东方御业科技有限公司
 WWW.DFYCONN.COM TEL: 0755-27155560

REV	LTR	DESCRIPTION	DATE	DWN
-----	-----	-------------	------	-----

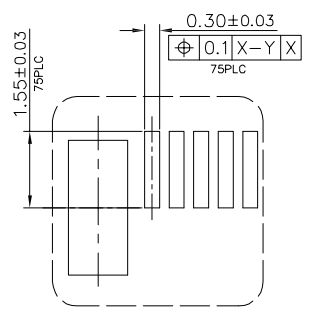
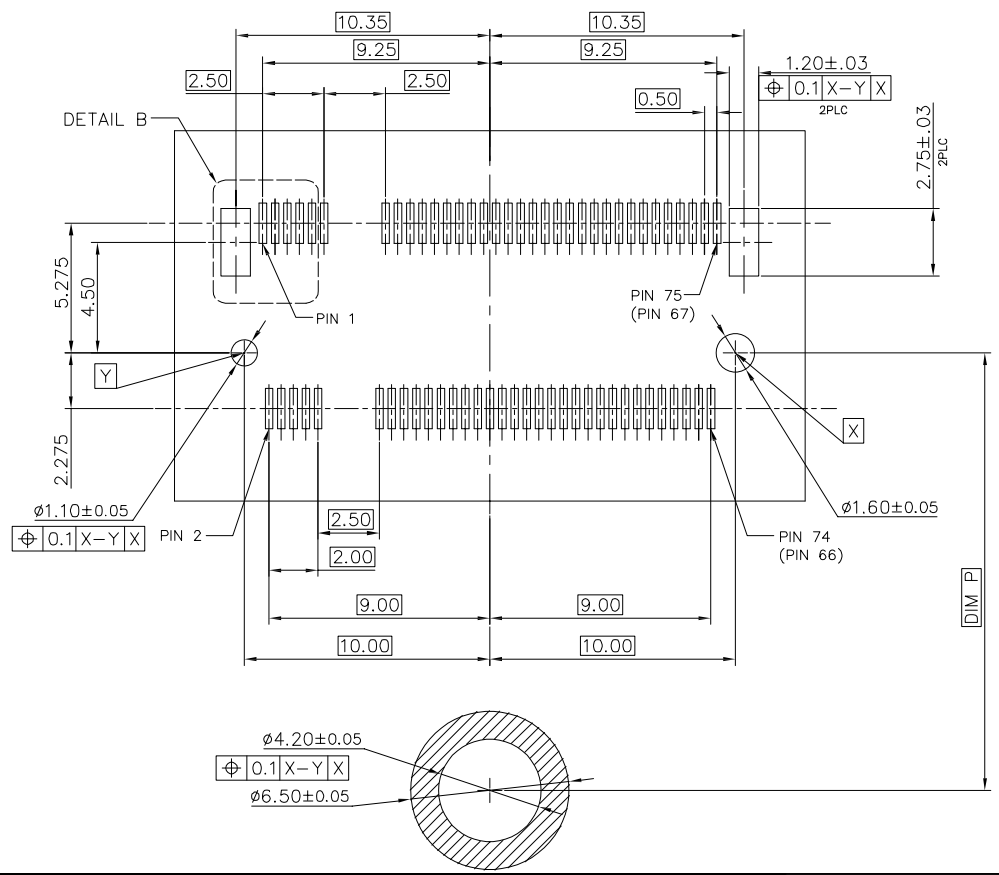


BOTTOM SIDE



TOP SIDE

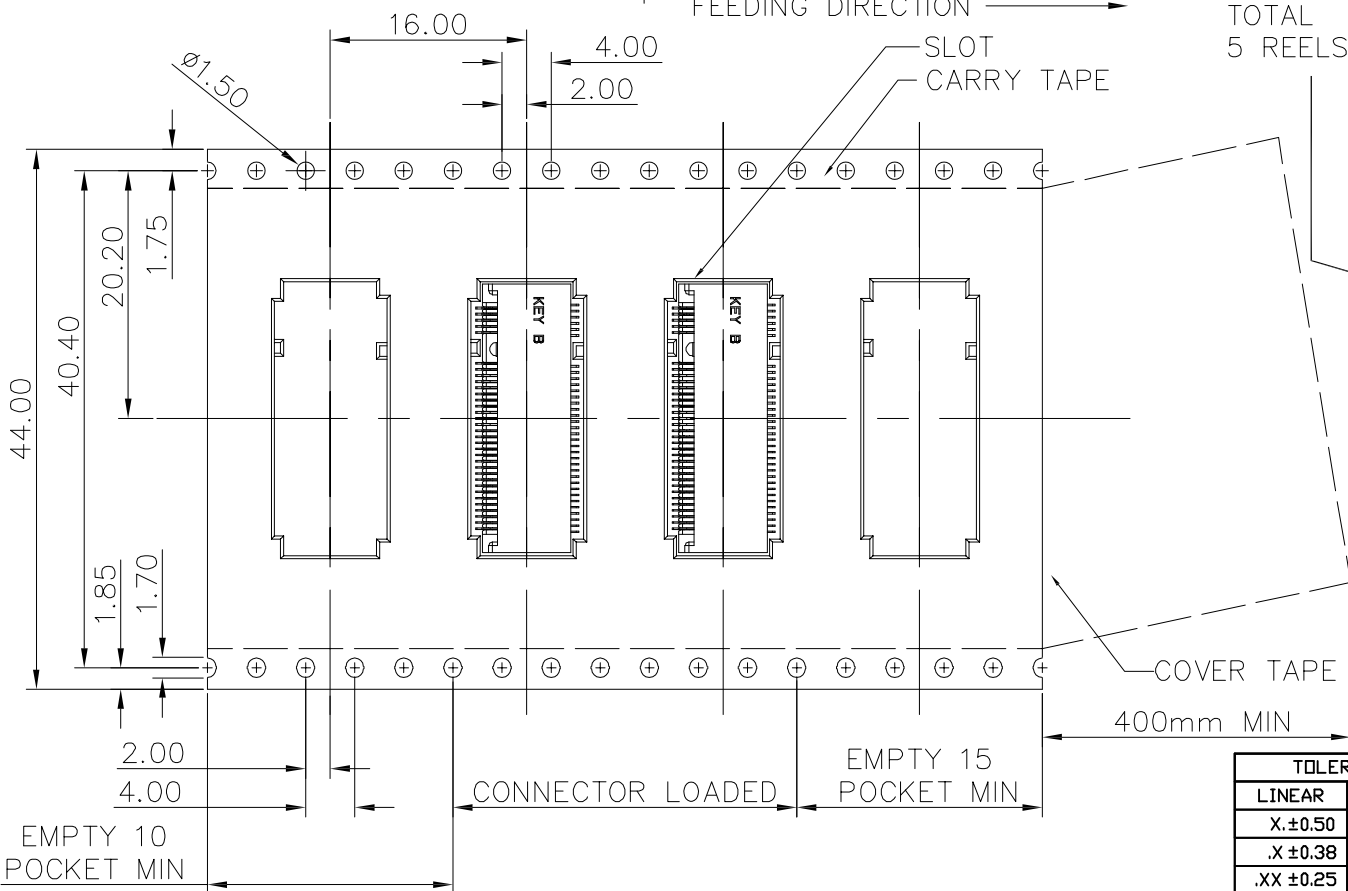
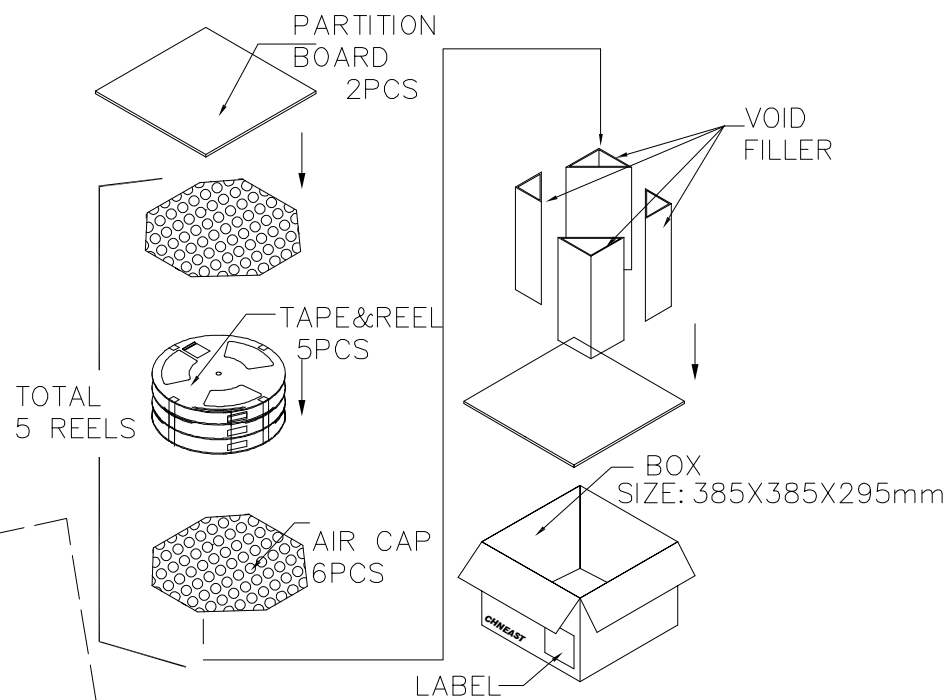
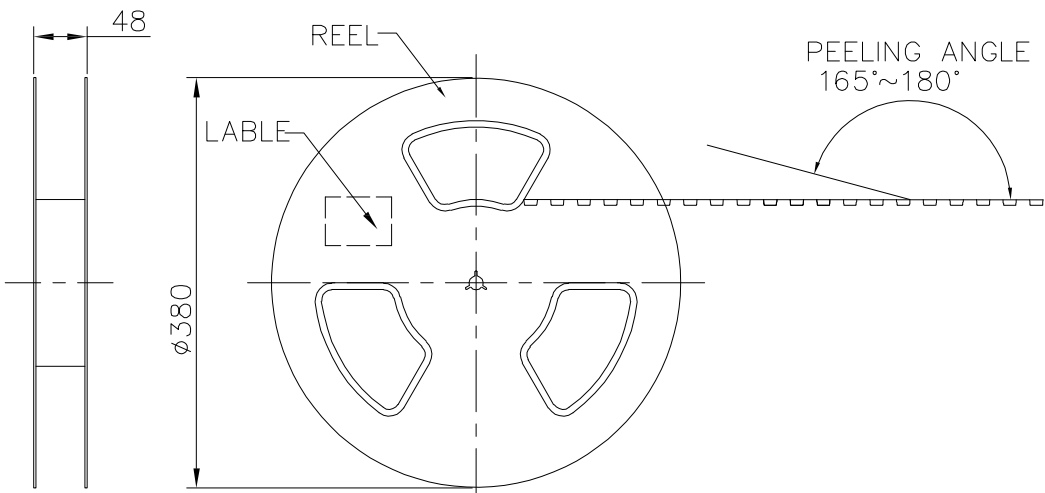
RECOMMENDED PCB LAYOUT



DETAIL B
SCALE 2:1

2210	108.25
2280	78.25
2260	58.25
2242	40.25
2230	28.25
3042	40.25
3030	28.25
MODULE TYPE	DIM P

TOLERANCE		深圳市东方御业科技有限公司 WWW.DFYCONN.COM TEL:0755-27155560	TITLE: NGFF Connector 4.0H B.KEY				
LINEAR	ANGLES		PART NO: _____				
X.±0.50	X°.±2.0°	APPD: _____	DRWN: Rocky	UNITS: MM	SCALE: 1:1	SHEET: 1 OF 3	REV: A/0
.X ±0.38	.X*±1.0°						
.XX ±0.25	.XX*±	CHKD: _____	DATE: 2016-9-29				
.XXX ±0.15	.XXX*±						



TOLERANCE	
LINEAR	ANGLES
X.±0.50	X°.±2.0°
.X±0.38	.X°±1.0°
.XX±0.25	.XX°±
.XXX±0.15	.XXX°±

深圳市东方御业科技有限公司
 WWW.DFYCONN.COM TEL:0755-27155560
 APPD: DRWN: Rocky
 CHKD: DATE: 2016-9-29

TITLE: NGFF Connector 4.0H B.KEY			
PART NO: _____			
DWG NO: _____			
UNITS	SCALE	SHEET	REV
MM	1:1	1 OF 3	A/0