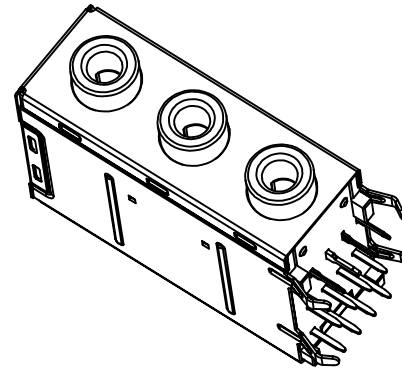
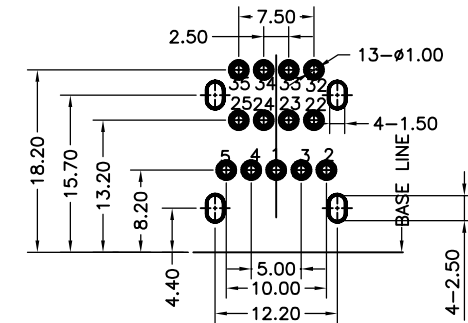
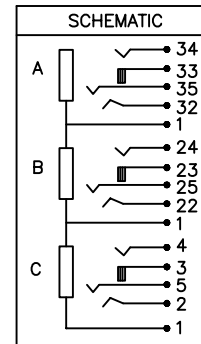
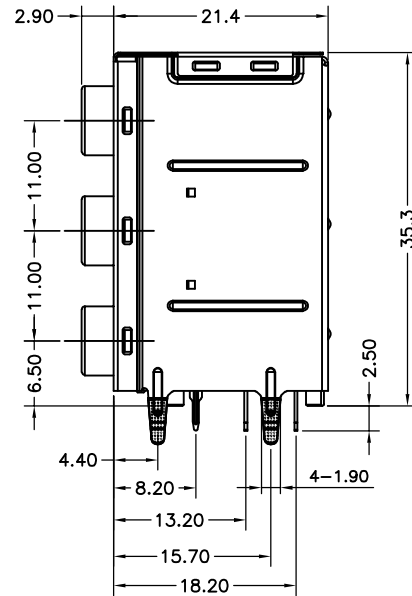
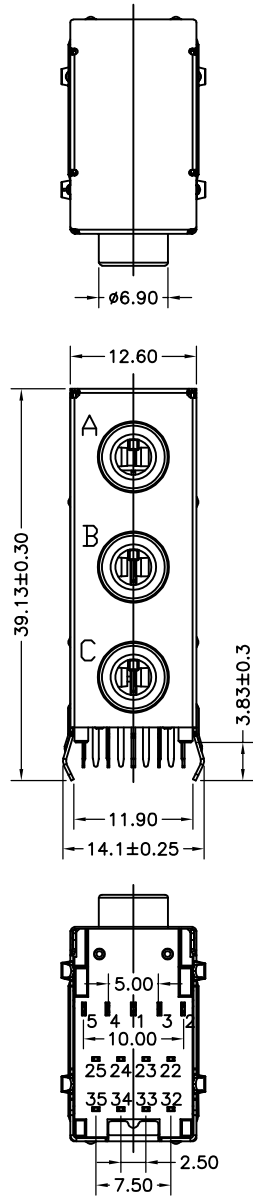


REV.	ECN NO.	MODIFY MATTER	DATE	APPROVED
A		RELEASE TO PRODUCTION		



- MATERIALS
 - INSULATOR AND COVER: PBT, COLOR: BLACK.
 - SLEEVE COVER: PA66, UL94V-0, COLOR: ORDER INFORMATION.
 - TERMINAL 3#, 4#, 2#, 5#: C2680R-H. 60U" MIN TIN PLATED ; 30U"MIN NICKEL UNDERPLATED OVERALL.
 - GROUND TERMINAL 1#: SPCC, 60U" MIN TIN PLATED ; 30U"MIN NICKEL UNDERPLATED OVERALL.
 - TERMINAL #22, #23#24, #25: SPCC, 60U" MIN TIN PLATED ; 30U"MIN NICKEL UNDERPLATED OVERALL.
 - TERMINAL #32, #33#34, #35: SPCC, 60U" MIN TIN PLATED ; 30U"MIN NICKEL UNDERPLATED OVERALL.
 - OTHER TERMINAL: C2680R-H 50U" NICKEL PLATED OVERALL.
- SHIELD: SPCC, 50U" NICKEL PLATED OVERALL.
- SPECIFICATION:
 - CURRENT RATING: 1.0 AMP. MAX.
 - DIELECTRIC WITHSTANDING: AC 500V/min R.M.S.
 - INSULATION RESISTANCE: 100MΩ min. AT 500V DC.
 - CONTACT RESISTANCE: 50mΩ MAX.
 - OPERATING TEMPERATURE: -25°C TO +85°C.
 - DURABILITY: 1500 CYCLES.
 - MATING FORCE: 5kgf MAX
 - UNMATING FORCE: 0.4~3.0kgf
- NOTES:
 - ALL COMPONENTS ARE RoHS COMPLIANT.
 - RESISTANCE TO SOLDERING HEAT: 265°C FOR 5 SECONDS, AND ONLY FOR WAVE SOLDERING PROCESS.



RECOMMENDED P.C.B LAYOUT(PCB THICKNESS: 1.6mm)
TOP VIEW

ORDER INFORMATION:

MARK 选项	PRODUCT P/N	A PORT	B PORT	C PORT
无MARK	EAST-359S-13-S	BLUE	GREEN	RED

TOLERANCES UNLESS OTHERWISE SPECIFIED:	
X. ---	---
X.X	± 0.38
X.XX	± 0.25
X.XXX	± 0.20
Angle	±3°

COSTOMER COPY	
DRAWN: Qinkx	2017/09/10
CHECKED: Chenl	2017/09/10

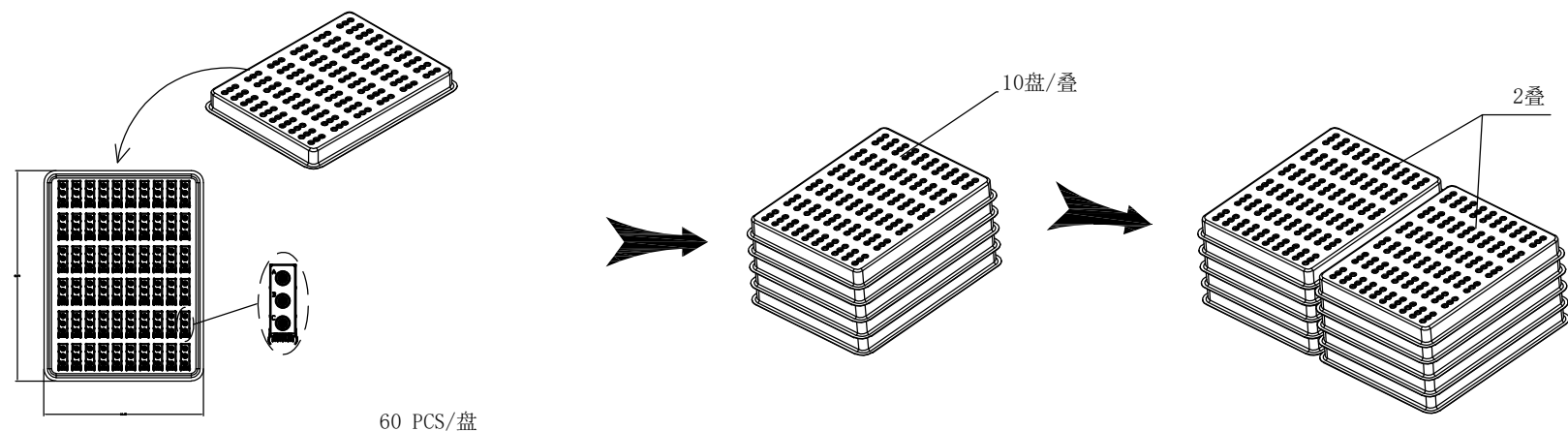
深圳市东方御业科技有限公司	
WWW.DFYCONN.COM TEL:0755-27155560	
TITAL:	3层 AUDIO JACK FEMALE DIP 1
	1.0 KINK脚 14.1 RoHS 不防火 (RoHS)
PART NO:	EAST-359S-13-S

THESE DRAWING AND SPECIFICATION ARE THE PROPERTY OF Shenzhen Dongfangyue ELECTRONIC CO., LTD.. SHALL NOT BE REPRODUCED.

APPROVED: Chenl	2017/09/10
-----------------	------------

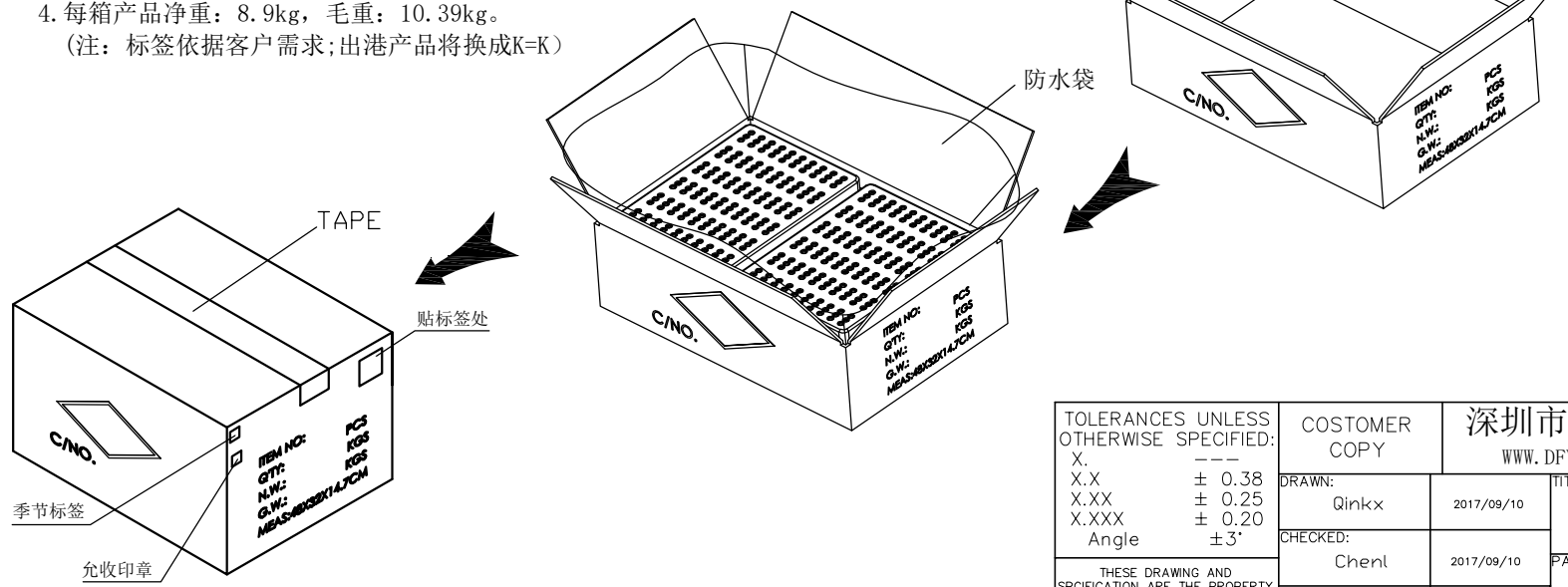
UNIT: mm	SCALE: N/A	SHEEL: REV.
----------	------------	-------------

REV.	ECN NO.	MODIFY	MATTER	DATE	APPROVED
A		RELEASE TO PRODUCTION			



要求:

1. 真空盒235*310*29, 不可有破损, 60PCS/盒。
2. 纸箱480*320*147, 材质: A=B, 不可有破损, 加装防水PE袋及干燥剂。
3. 将装好产品的5个真空盒整齐叠放在一起, 共两叠600PCS, 放入纸箱中, 用封箱胶纸封好纸箱。
4. 每箱产品净重: 8.9kg, 毛重: 10.39kg。
(注: 标签依据客户需求; 出港产品将换成K=K)



TOLERANCES UNLESS OTHERWISE SPECIFIED: X. --- X.X ± 0.38 X.XX ± 0.25 X.XXX ± 0.20 Angle ± 3'	COSTOMER COPY		深圳市东方御业科技有限公司 WWW.DFYCONN.COM TEL:0755-27155560	
	DRAWN: Qinkx	2017/09/10	TITIAL: 3层 AUDIO JACK 包装图	
CHECKED: Chenl	2017/09/10	PART NO: EAST-359S-13-S (RoHS)		
APPROVED: Chenl	2017/09/10	UNIT: mm	SCALE: N/A	SHEEL: REV.