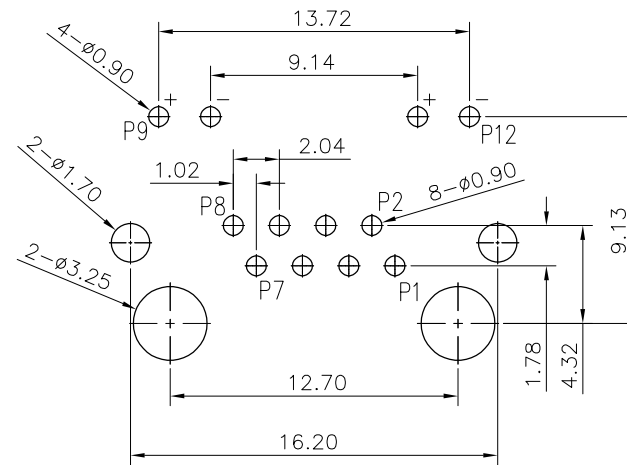
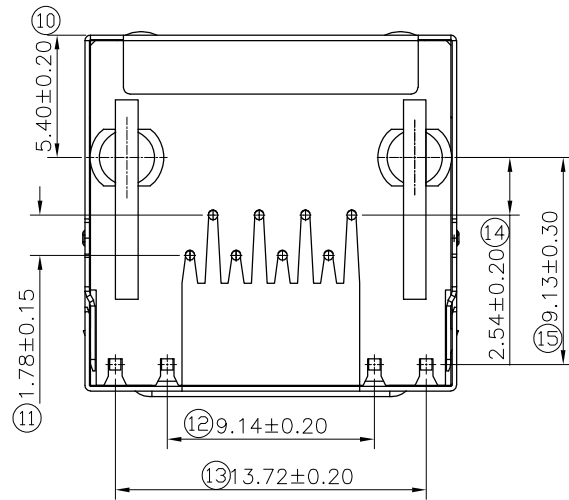
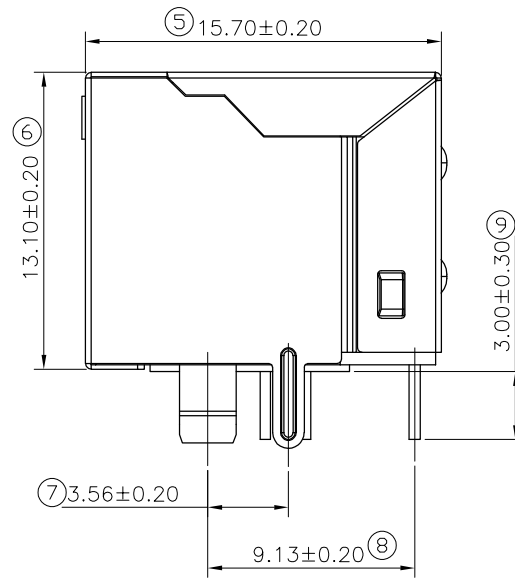
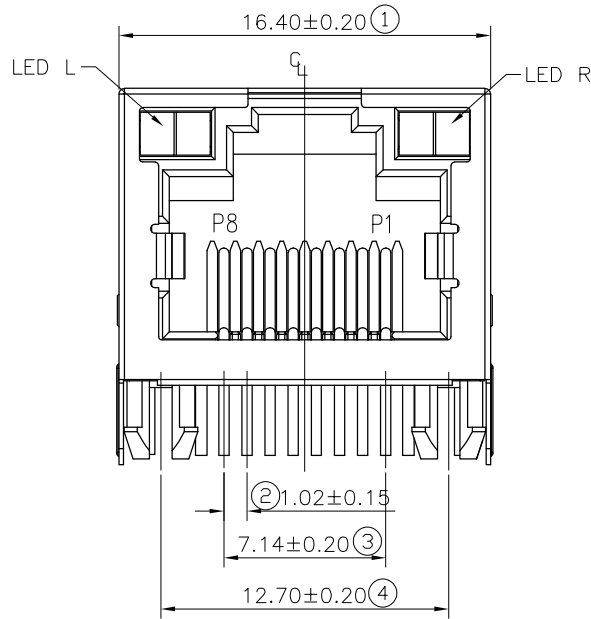


REV.	ECN NO.	MODIFY MATTER	DATE	APPROVED
A		RELEASE TO PRODUCTION		



NOTE:

1. MATERIAL:

1.1 HOUSING: (HIGH TEMP.)THERMOPLASTIC UL94V-0 BLACK

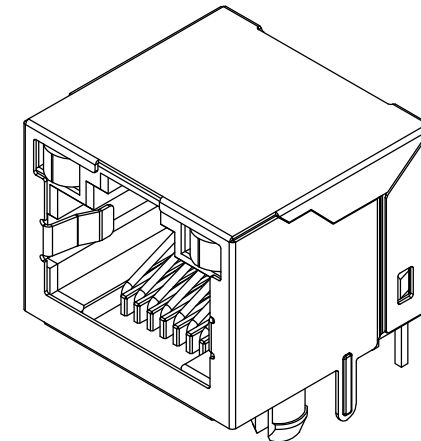
1.2 CONTACT: 0.46mm DIA COPPER ALLOY

1.3 SHELL: COPPER ALLOY

2. FINISH:

2.1 CONTACT: GOLD PLATED OVER

2.2 SHELL: NICKEL PLATING OVERALL



EAST-111A300-003

塑胶材质

0:PBT

1:PA66

2:LCP

颜色类型):

1-左绿右黄

3-左黄右绿

8-左绿右绿黄

9-左黄右绿黄

-按客户要求

RECOMMENDED P.C.B LAYOUT
TOP VIEW (COMPONENT SIDE)

LED L YELLOW LED R GREEN



TOLERANCES UNLESS OTHERWISE SPECIFIED:

X.	---
X.X	± 0.38
X.XX	± 0.25
X.XXX	± 0.10
Angle	±1°

CUSTOMER COPY

深圳市东方御业科技有限公司

WWW.DFYCONN.COM TEL:0755-27155560

DRAWN: CHENLEI

2017/09/10

TITIAL: RJ45 DIP 90度无弹有灯

CHECKED: CHENLEI

2017/09/10

PART NO: EAST-111A300-003

APPROVED: QINKAIXING

2017/09/10

UNIT: mm



SCALE: N/A

SHEET: 1:1

REV.

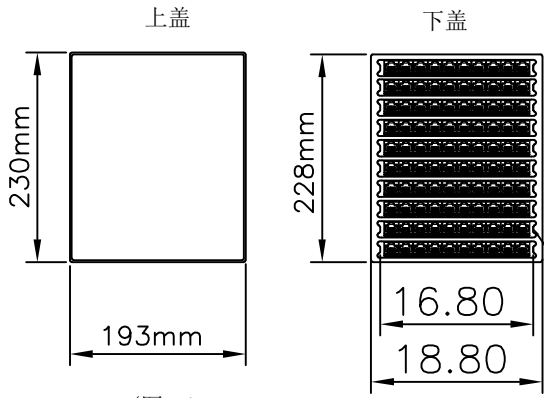
THESE DRAWING AND SPECIFICATION ARE THE PROPERTY OF Shenzhen Dongfangyue ELECTRONIC CO., LTD. SHALL NOT BE REPRODUCED.

(RoHS)

REV.	ECN NO.	MODIFY MATTER	DATE	APPROVED
A		RELEASE TO PRODUCTION		

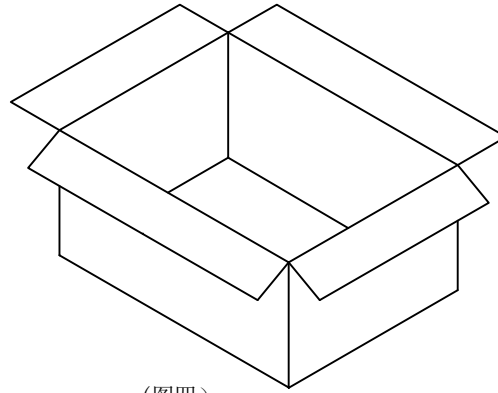


或



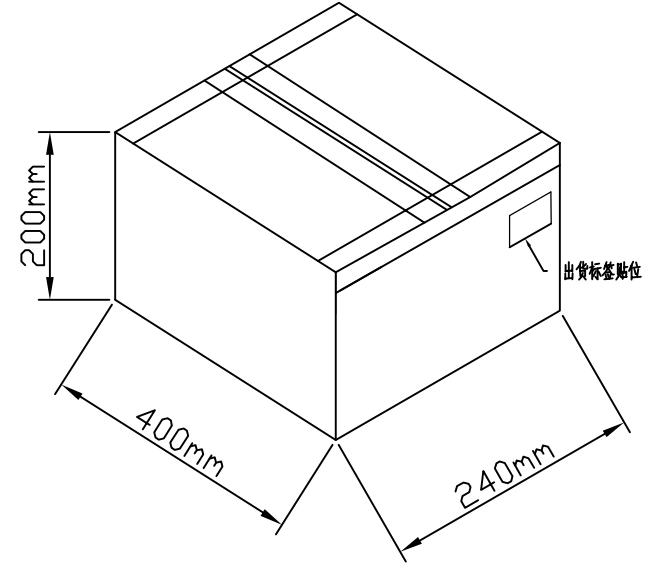
(图一)

放置100pcs产品
至底盒内并盖上上盖

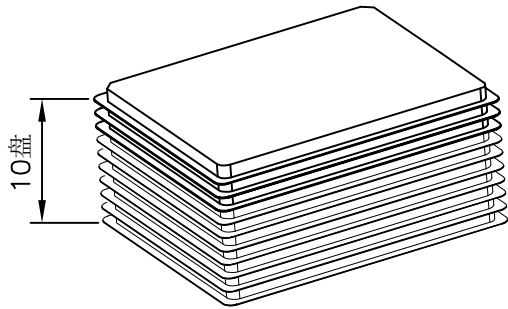


(图四)

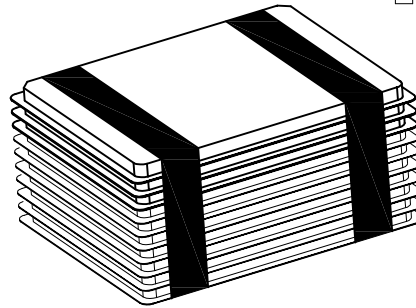
- 数量: 1盘=100Pcs,
一箱20盘=2000Pcs
- 每盘在右上角帖标签(按客户需求), 每10盘为一叠, 一箱放两叠:
- 包材脏污破损不可使用, 包装过程中注意不可碰伤刮伤产品;
- 外箱字材质为K=K, 要求破裂强度为16Kg;



(图五)



(图二)



TOLERANCES UNLESS OTHERWISE SPECIFIED: X. --- X. X ± 0.38 X. XX ± 0.25 X. XXX ± 0.10 Angle ± 1°	COSTOMER COPY		深圳市东方御业科技有限公司 WWW.DFYCONN.COM TEL:0755-27155560		
	DRAWN: CHENLEI	2017/09/10	TITIAL: RJ45单颗包装图		
THESE DRAWING AND SPECIFICATION ARE THE PROPERTY OF Shenzhen Dongfangyue ELECTRONIC CO., LTD. SHALL NOT BE REPRODUCED.	CHECKED: CHENLEI	2017/09/10	PART NO: (RoHS)		
	APPROVED: QINKAIXING	2017/09/10	UNIT: mm	SCALE: N/A	SHEET: 1:1