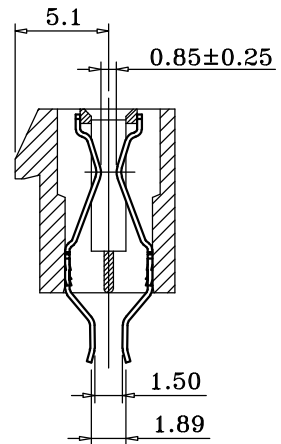
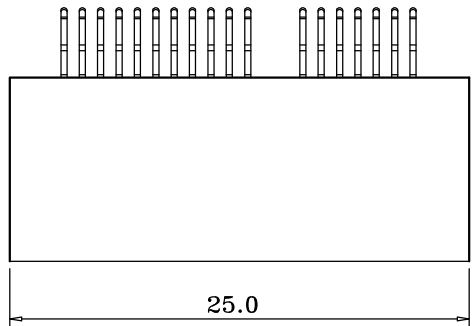
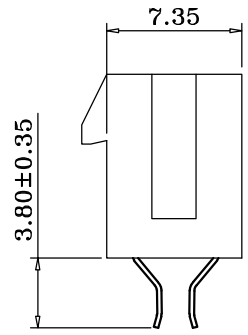
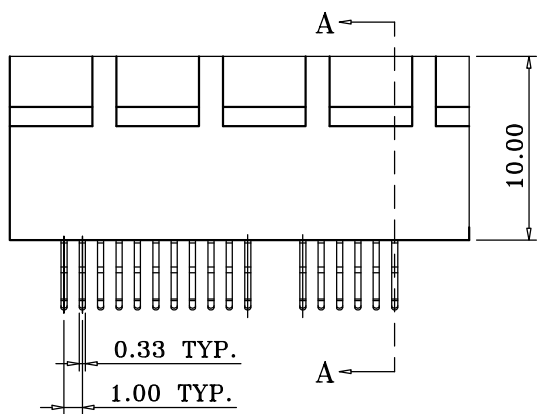
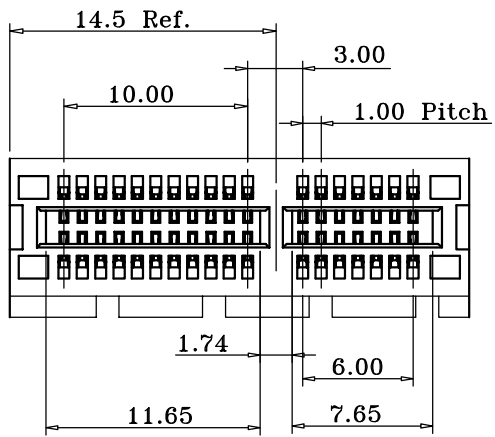


REV	LTR	DESCRIPTION	DATE	DWN
-----	-----	-------------	------	-----



SECTION A-A



**\*Material:**

- 1.Housing: LCP,UL-HB;
- 2.Terminal: Brass,T=0.25mm;
- Plating: Gold in contact area;
- 80u" Min Tin in solder area;
- 30u" MIN.NICKEL UNDERPLATING OVER ALL.

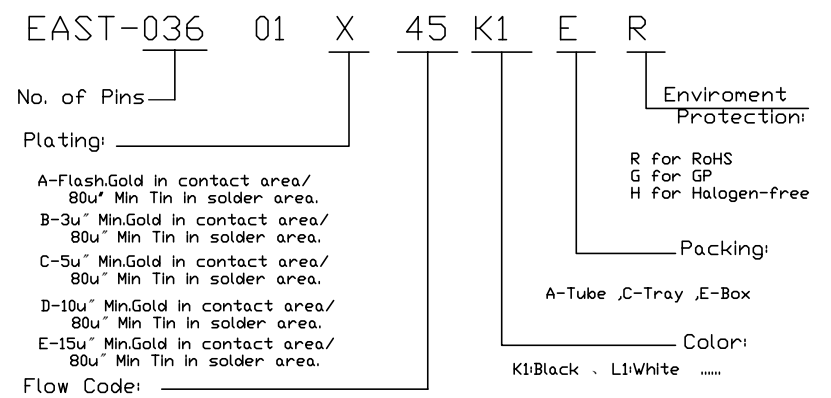
**\*Electrical Characteristics:**

- 1:Contact Resistance: 30mΩ Max.
- 2:Insulation Resistance: 1000MΩ Min.
- 3:Dielectric Strength: 500V DC/1MIN.
- 4.Contact Current rating: 1.1 A Per Pin Min.

**\*Mechanical Characteristics:**

- 1:Insertion Force: 1.15N per contact pair Max.
- 2:Extraction Force: 0.15N per contact pair Min.
- 3.Durability rating:50 Cycles

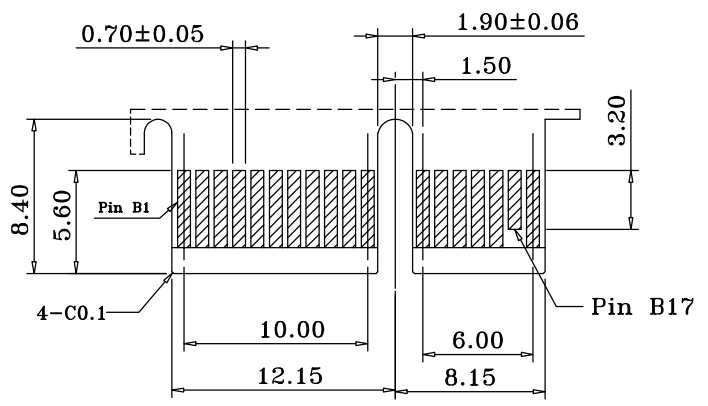
**\*ORDER INFORMATION:\***



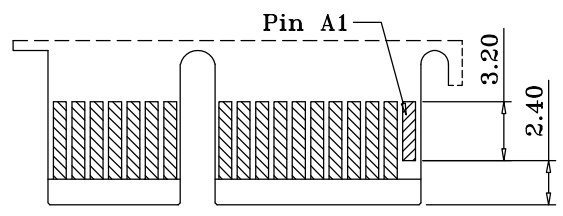
No.	PART No.	P.C.B & T
1	EAST-03601X45XXX	T=1.60mm

TOLERANCE		深圳市东方御业科技有限公司 Tel:0755-27155560 WWW.DFYCONN.COM	TITLE: PCIe 36无肋小夹脚夹板式 无耳无柱			
LINEAR	ANGLES		CUSTOMER	PART NO.: SEE TABLE		
X.±0.50	X°.±2.0°		CDPY	DWG NO.: EAST-03601-45		
.X±0.38	.X°.±1.0°		UNITS	SCALE	SHEET	REV
.XX±0.25	.XX°.±	APPD:	MM	1:1	1 OF 2	0.1
.XXX±0.15	.XXX°.±	CHKD:	DRWN: Rocky	DATE: 2015-6-3		

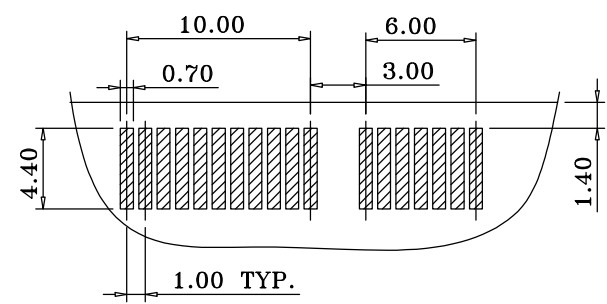
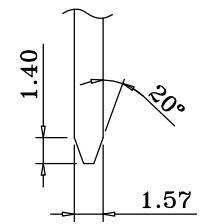
REV	LTR	DESCRIPTION	DATE	DWN
-----	-----	-------------	------	-----



**PRIMARY (COMPONENT) SIDE**  
36Pin



**SECONDARY (SOLDER) SIDE**  
36Pin



**P C B Layout for Straddle**

TOLERANCE		TITLE:	
LINEAR	ANGLES	PC1e 36无肋小夹脚板式 无耳无柱	
X.±0.50	X°.±2.0°	深圳市东方御业科技有限公司 Tel:0755-27155560 WWW.DFYCONN.COM	
.X±0.38	.X°.±1.0°	CUSTOMER	PART NO.: SEE TABLE
.XX±0.25	.XX*±	CDPY	DWG NO.: EAST-03601-45
.XXX±0.15	.XXX*±	APPD:	DRWN: Rocky
		CHKD:	DATE: 2015-6-3
		UNITS	SCALE
		MM	1:1
		SHEET	1 OF 2
		REV	0.1