

REV.	ECN NO.	MODIFY MATTER	DATE	APPROVED
A		RELEASE TO PRODUCTION		

**MATERIALS**

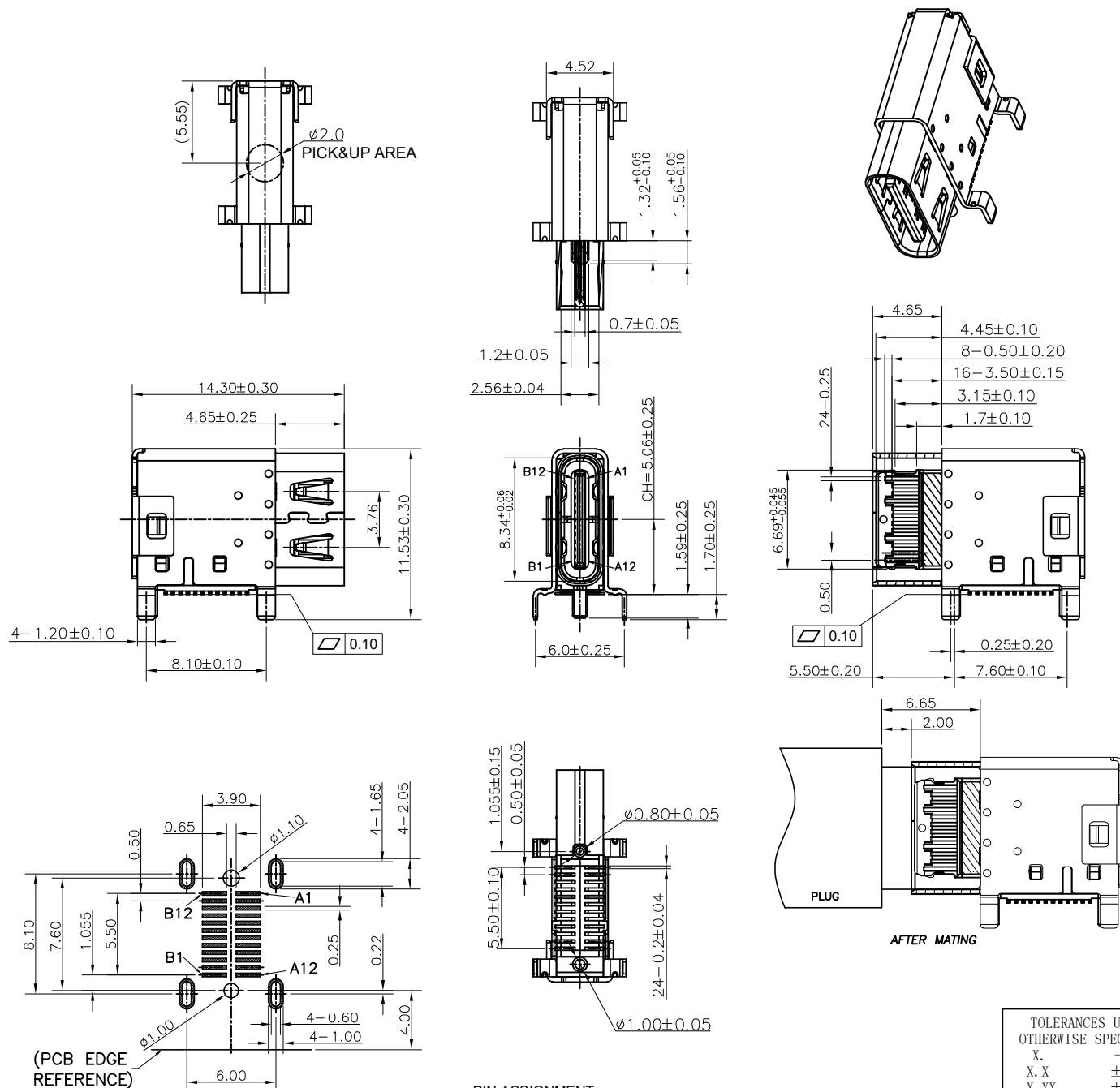
- HOUSING : LCP (UL 94V-0), BLACK.
- TERMINAL : COPPER ALLOY,C18400 T=0.12  
GOLD 3u" PLATED ON CONTACT AREA.  
GOLD FLASH PLATING ON SOLDER TAIL.  
NICKEL 50u" UNDERPLATED OVER ALL.
- MID PLATE : STAINLESS STEEL, SUS301 T=0.15
- SHELL : STAINLESS STEEL,SUS301 T=0.30  
NICKEL 50u"MIN PLATING.
- EMI : STAINLESS STEEL,SUS304 T=0.10 NICKEL 50u"MIN PLATING.

**SPECIFICATION**

- CURRENT RATING : 5.0A FOR Vbus PIN,  
1.25A FOR Vconn PIN,  
0.25A FOR OTHER PINS.
- CONTACT RESISTANCE : 40mΩ.
- INSULATION RESISTANCE : 100MΩ MIN.
- DIELECTRIC WITHSTANDING VOLTAGE : 100 VAC MIN.
- OPERATING TEMPERATURE : -40°C TO +85°C.
- MATING FORCE : 5~20N.
- UNMATING FORCE : 8~20N.
- DURABILITY : 10,000 CYCLES.
- RECOMMENDED PROCESS :  
THE PEAK TEMPERATURE ON THE BOARD SHALL  
MAINTAIN 260°C.
- SALT SPRAY:48H
- 符合ROHS&HF要求

電鍍規格: EAST-UTC24SD098-X  
A

- A: Plating
- S01-gold flash in contact area/  
80u" Tin in solder area.
  - S03-03u" gold in contact area/  
80u" Tin in solder area.
  - S05-05u" gold in contact area/  
80u" Tin in solder area.
  - S15-15u" gold in contact area/  
80u" Tin in solder area.
  - S30-30u" gold in contact area/  
80u" Tin in solder area.



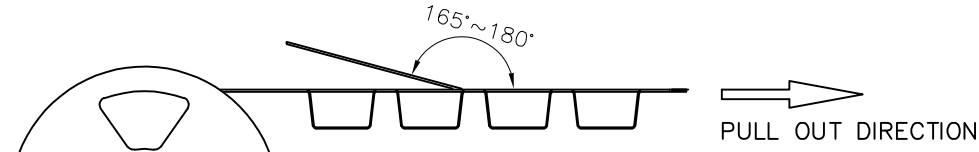
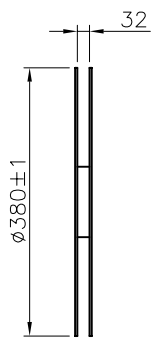
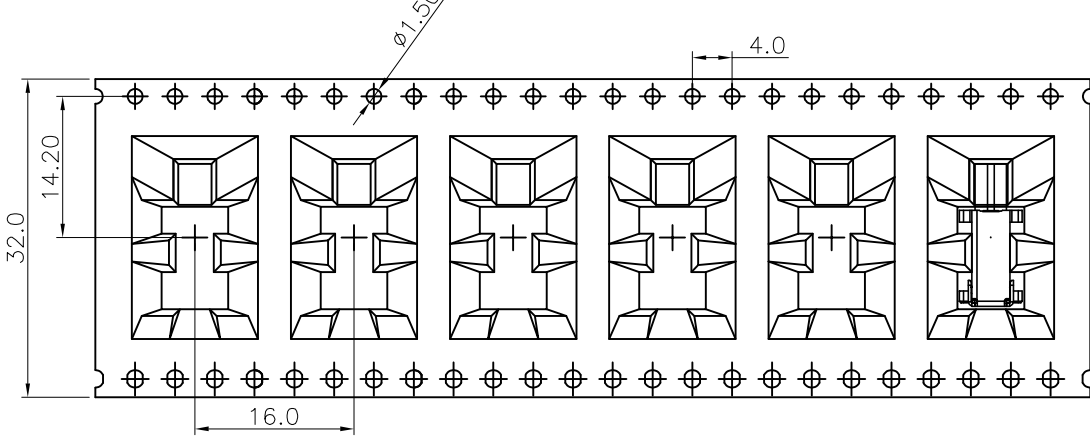
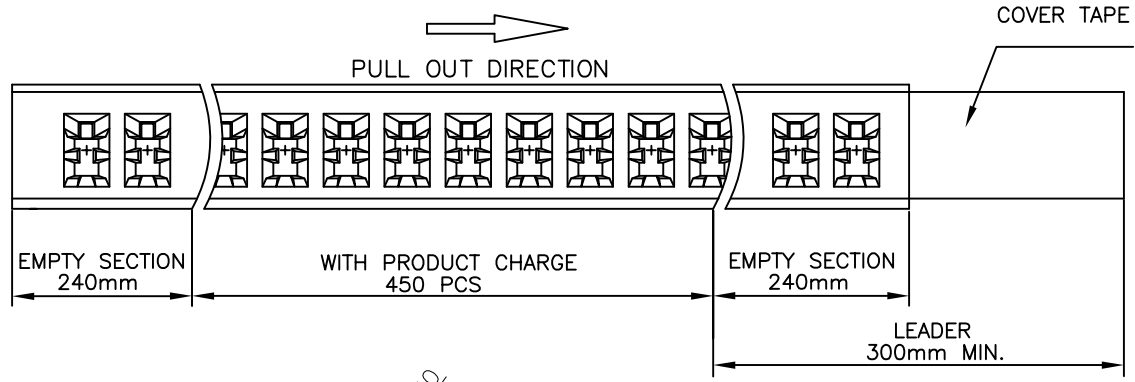
**PIN ASSIGNMENT**

A1	A2	A3	A4	A5	A6	A7	A8	A9	A10	A11	A12
GND	TX1+	TX1-	Vbus	CC1	D+	D-	SBU1	Vbus	RX2-	RX2+	GND
GND	RX1+	RX1-	Vbus	SBU2	D-	D+	CC1	Vbus	TX2-	TX2+	GND
B12	B11	B10	B9	B8	B7	B6	B5	B4	B3	B2	B1

RECOMMENDED P.C.B LAYOUT  
TOLERANCE ± 0.05mm (TOP VIEW)

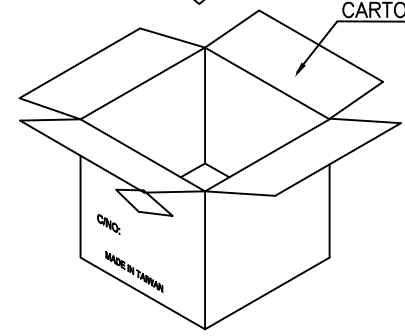
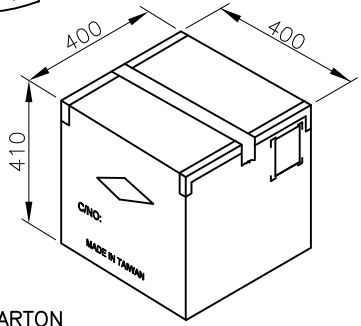
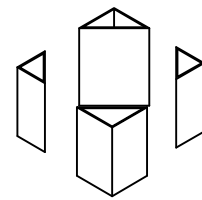
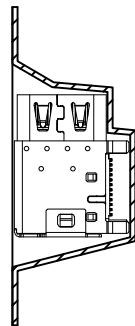
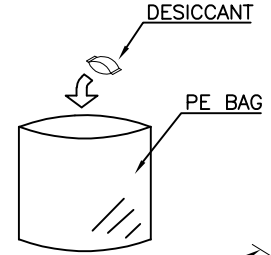
TOLERANCES UNLESS OTHERWISE SPECIFIED: X. --- X. X ± 0.38 X. XX ± 0.25 X. XXX ± 0.10 Angle ± 1°	CUSTOMER COPY	深圳市东方御业科技有限公司 WWW.DFYCONN.COM TEL:0755-27155560	
	DRAWN: CHENLEI	2017/09/10	TITL: USB Type C 3.1 侧插母座 双壳 DIP+SMT (RoHS)
THESE DRAWING AND SPECIFICATION ARE THE PROPERTY OF Shenzhen Dongfangyue ELECTRONIC CO., LTD.. SHALL NOT BE REPRODUCED.	CHECKED: CHENLEI	2017/09/10	PART NO: EAST-UTC24SD098-X
	APPROVED: QINKAIXING	2017/09/10	UNIT: mm
			SCALE: N/A
			SHEET: 1:1
			REV.

REV.	ECN NO.	MODIFY MATTER	DATE	APPROVED
A		RELEASE TO PRODUCTION		



**PACKAGE**

1. SIZE :  
 REEL :  $\phi 380 \times 32$  mm  
 CARTON : 400 x 400 x 410 mm (LxWxH)
2. QUANTITY :  
 450 PCS / REEL  
 8 REEL / CARTON = 3,600 PCS



TOLERANCES UNLESS OTHERWISE SPECIFIED: X. --- X. X $\pm 0.38$ X. XX $\pm 0.25$ X. XXX $\pm 0.10$ Angle $\pm 1^\circ$	CUSTOMER COPY 深圳市东方御业科技有限公司 WWW.DFYCONN.COM TEL:0755-27155560	
	DRAWN: CHENLEI	TITIAL: 2017/09/10
	CHECKED: CHENLEI	PART NO: 2017/09/10
	APPROVED: QINKAIXING	UNIT: 2017/09/10
THESE DRAWING AND SPECIFICATION ARE THE PROPERTY OF Shenzhen Dongfangyue ELECTRONIC CO., LTD.. SHALL NOT BE REPRODUCED.		USB Type C 3.1 侧插母座 双壳 DIP+SMT (RoHS)
SCALE: N/A	SHEEL: 1:1	REV.

www.dfyconn.com