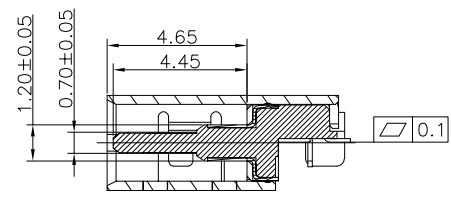
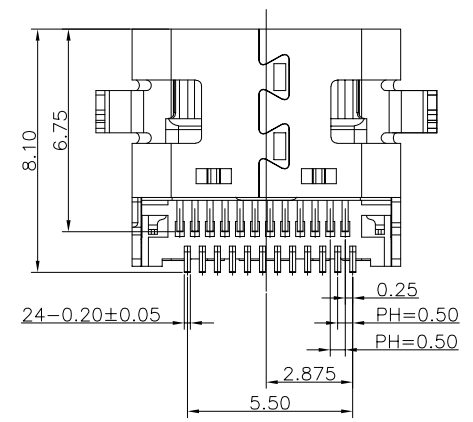
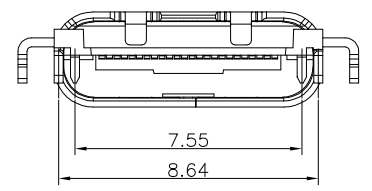
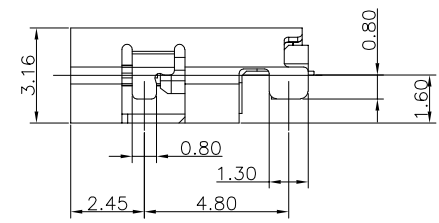
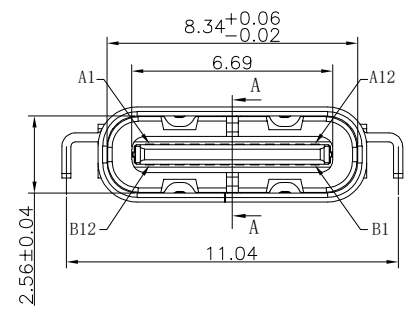
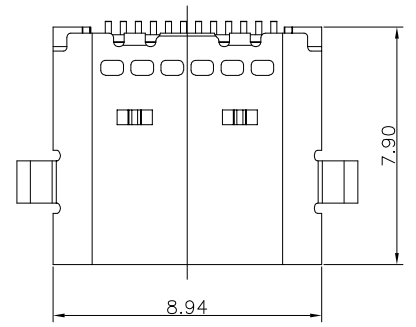
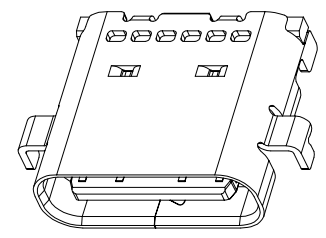


REV.	ECN NO.	MODIFY MATTER	DATE	APPROVED
		RELEASE TO PRODUCTION		

NOTE:

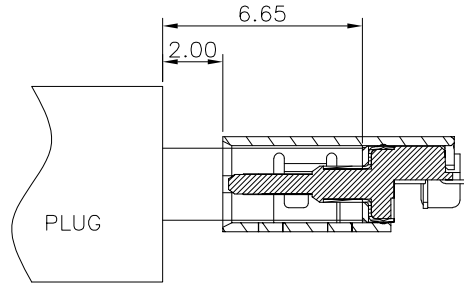
- MATERIAL SPECIFICATION:
 - HOUSING: HIGH TEMPERATURE RESISTANT PLASTIC, UL94 V-0.
 - TERMINAL: COPPER ALLOY
 - MID PLATE: STAINLESS STEEL (SUS301 T=0.15mm)
 - FRONT SHELL: STAINLESS STEEL (SUS304 T=0.3mm)
 - EMI PLATE: STAINLESS STEEL (SUS304 T=0.10mm)
- PLATING SPECIFICATION:
 - TERMINAL:
 - Ni 50u" MIN. UNDER PLATED OVER ALL.
 - Au PLATED ON THE FUNCTIONAL AREA OF CONTACT.
 (GOLD PLATING THICKNESS FOLLOW THE P/N)
 PLATING SPECIFICATIONS OF THE SOLDER AREA FOLLOW THE P/N
 - FRONT SHELL:
 - Ni 30u" MIN. UNDER PLATED OVER ALL.
 - MID PLATE
CLEAR ONLY
 - EMI PLATE:
CLEAR ONLY
- MECHANICAL PERFORMANCE,
 - INSERTION FORCE: 0.5~2.0kgf.
 - REMOVAL FORCE: 0.8kgf~2.0kgf.
 - DURABILITY: 10000 CYCLES.
- ELECTRICAL PERFORMANCE,
 - VOLTAGE RATING: 5 V DC/AC (RMS. max)
 - CURRENT RATING: 5 AMPS. FOR TOTAL VBUS/GND PINS; 1.25AMPS FOR CC PIN, 0.25 AMPS. FOR ALL OTHER CONTACT.
 - LLCR:
 - VBUS & GND PINS AND OTHER PINS: 40mΩ/PIN MAX.
 - SHIELD: 50mΩ/MAX.
 - LLCR MAX. CHANGE OF ALL PINS: 10mΩ.
 - INSULATION RESISTANCE: 100MΩ MIN
 - DIELECTRIC WITHSTAND VOLTAGE, AC 100V FOR 1 MINUTE.
- ENVIRONMENTAL PERFORMANCE:
 - OPERATING TEMPERATURE: -25°C~+85°C.
- IR REFLOW:
 - THE PEAK TEMPERATURE ON THE BOARD SHALL BE MAINTAINED FOR 10 SECONDS AT 260°C.



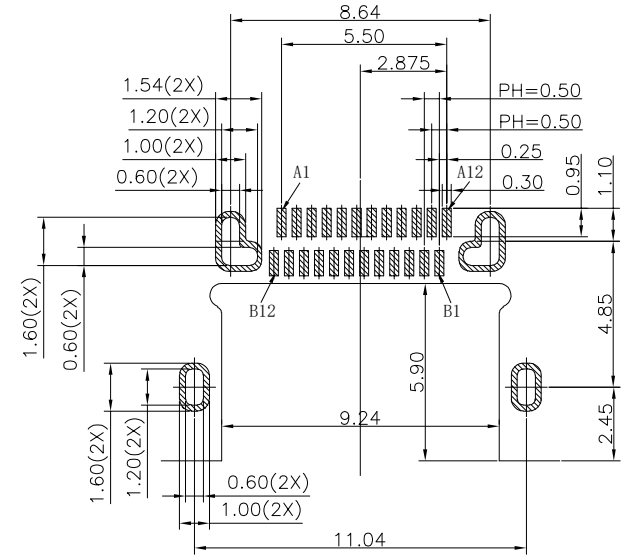
SECTION A-A
SCALE 1:1

TOLERANCES UNLESS OTHERWISE SPECIFIED: X. --- X.X ± 0.38 X.XX ± 0.25 X.XXX ± 0.10 Angle ± 1°	CUSTOMER COPY 深圳市东方御业科技有限公司 WWW.DFYCONN.COM TEL:0755-27155560	
	DRAWN: CHENLEI CHECKED: CHENLEI APPROVED: QINKAIXING	2017/09/10 2017/09/10 2017/09/10
THESE DRAWING AND SPECIFICATION ARE THE PROPERTY OF Shenzhen Dongfongyue ELECTRONIC CO., LTD.. SHALL NOT BE REPRODUCED.		

REV.	ECN NO.	MODIFY MATTER	DATE	APPROVED
		RELEASE TO PRODUCTION		



AFTER MATING



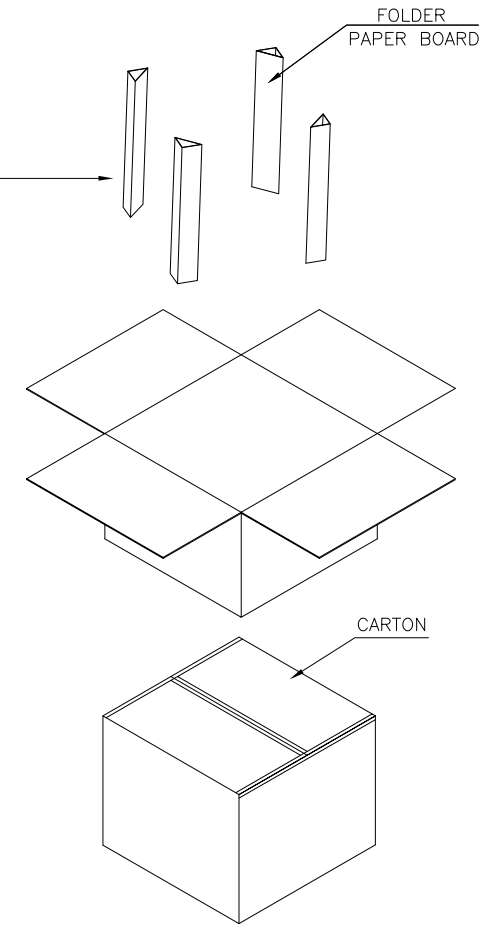
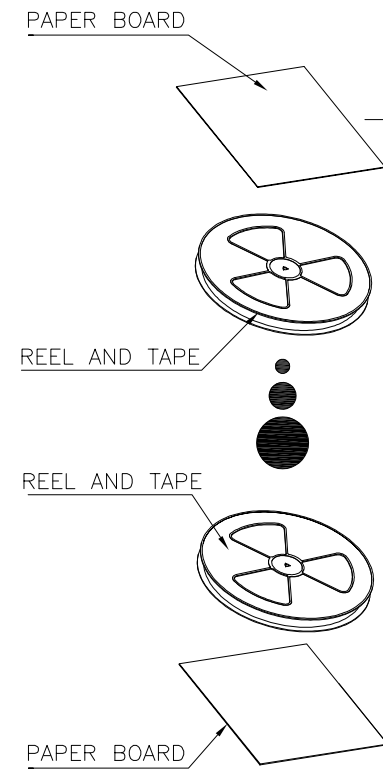
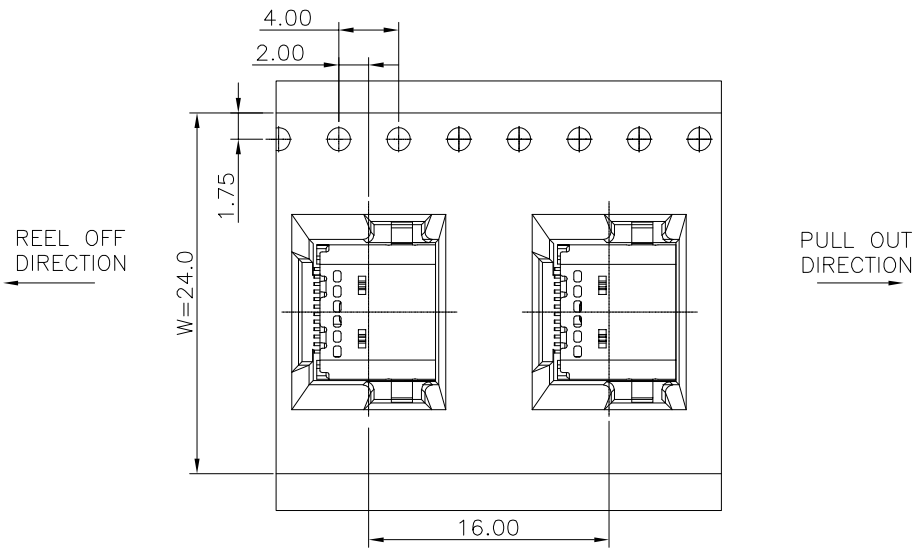
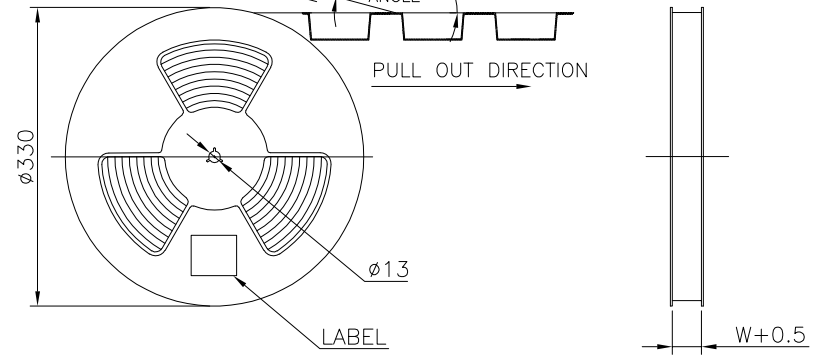
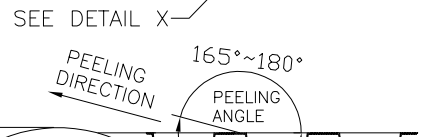
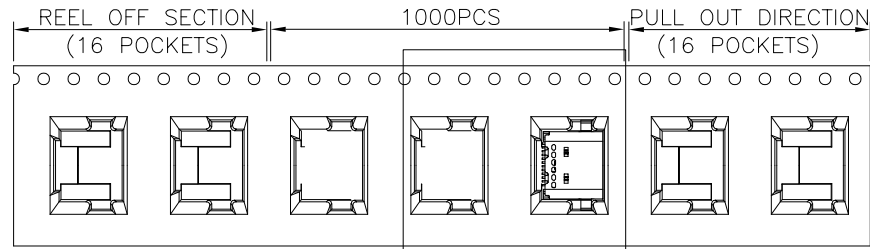
RECOMMEND P.C.B LAYOUT(COMPONENT SIDE)
TOLERANCE FOR PCB LAYOUT IS ±0.05

USB TYPE-C PIN ASSIGNMENTS

PIN NUMBER	SIGNAL NAME	PIN NUMBER	SIGNAL NAME
A1	GND	B12	GND
A2	SSTXp1	B11	SSRXp1
A3	SSTXn1	B10	SSRXn1
A4	VBUS	B9	VBUS
A5	CC1	B8	SBU2
A6	Dp1	B7	Dn2
A7	Dn1	B6	Dp2
A8	SBU1	B5	CC2
A9	VBUS	B4	VBUS
A10	SSRXn2	B3	SSTXn2
A11	SSRXp2	B2	SSTXp2
A12	GND	B1	GND

TOLERANCES UNLESS OTHERWISE SPECIFIED: X. --- X. X ± 0.38 X. XX ± 0.25 X. XXX ± 0.10 Angle ± 1°	CUSTOMER COPY 深圳市东方御业科技有限公司 WWW.DFYCONN.COM TEL:0755-27155560		
	DRAWN: CHENLEI	2017/09/10	TITL: TYPE C母座24PIN双排沉板 1.6 (RoHS)
	CHECKED: CHENLEI	2017/09/10	PART NO: EAST-UTC24P160H01R
	APPROVED: QINKAIXING	2017/09/10	UNIT: mm SCALE: N/A SHEEL: 1:1 REV.

REV.	ECN NO.	MODIFY MATTER	DATE	APPROVED
		RELEASE TO PRODUCTION		



	REEL	CARTON
CONNECTOR (PCS)	1000	10000

TOLERANCES UNLESS OTHERWISE SPECIFIED: X. --- X.X ± 0.38 X.XX ± 0.25 X.XXX ± 0.10 Angle ± 1°	CUSTOMER COPY 深圳市东方御业科技有限公司 WWW.DFYCONN.COM TEL:0755-27155560		DRAWN BY: CHENLEI DATE: 2017/09/10	
	CHECKED: CHENLEI DATE: 2017/09/10		TITIAL: TYPE C母座24PIN双排沉板 1.6 (RoHS)	
	APPROVED: QINKAIXING DATE: 2017/09/10		PART NO: EAST-UTC24P160H01R	
	THESE DRAWING AND SPECIFICATION ARE THE PROPERTY OF Shenzhen Dongfongyue ELECTRONIC CO., LTD.. SHALL NOT BE REPRODUCED.	UNIT: mm	SCALE: N/A	SHEEL: 1:1