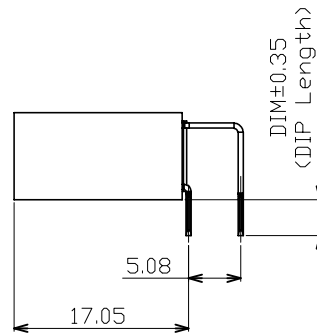
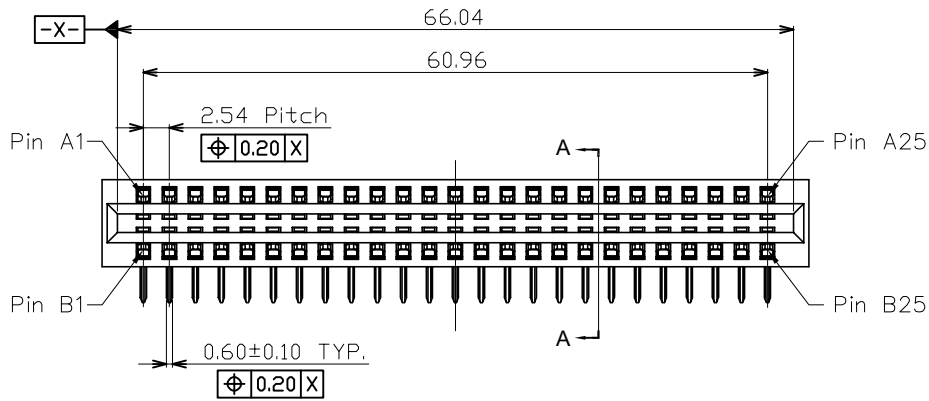
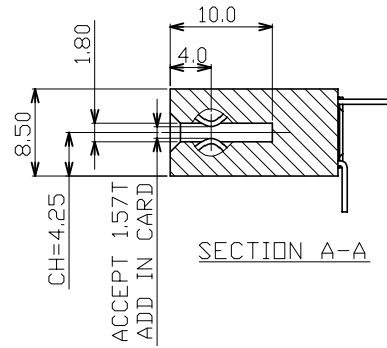
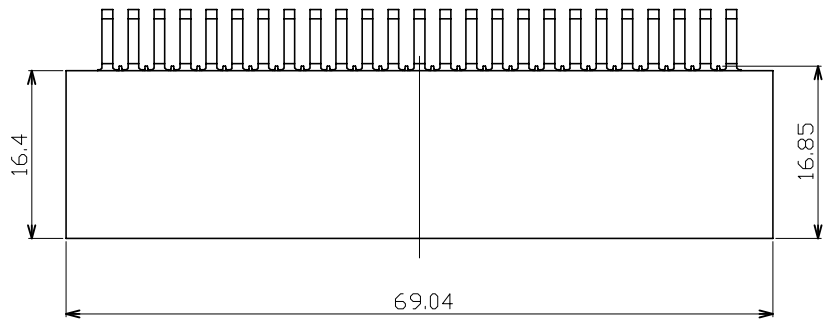


REV	LTR	DESCRIPTION	DATE	DWN



***Material:**

- Housing: HIGH TEMP. THERMOPLASTIC, UL94V-0,COLOR: BLACK,;
- Terminal: COPPER ALLOY;
Plating: Gold on contact area;
80u" Min Tin on solder area;
30u" MIN.NICKEL UNDERPLATING OVER ALL.

***Electrical Characteristics:**

- Operating Voltage: 100V Max.;
- Current Rating: 9.0A Per Contacts;
- Insulation Resistance: 1000MΩ Min.
- Dielectric Strength: 750V DC/1MIN.

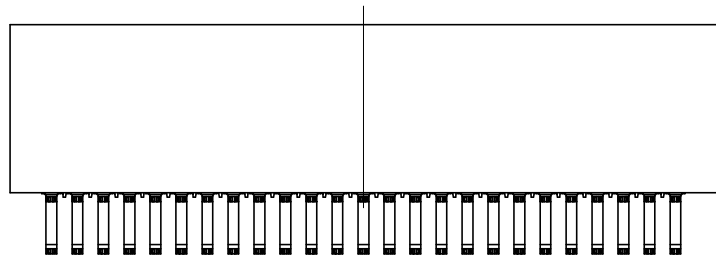
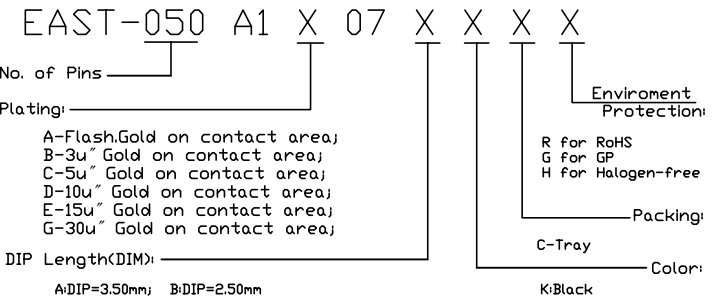
***Mechanical Characteristics:**

- Insertion Force: 3N per contact pair Max.
- Extraction Force: 0.3N per contact pair Min.
- Durability rating: 200 Cycles

*Operating temperature: -40°C ~ +105°C;

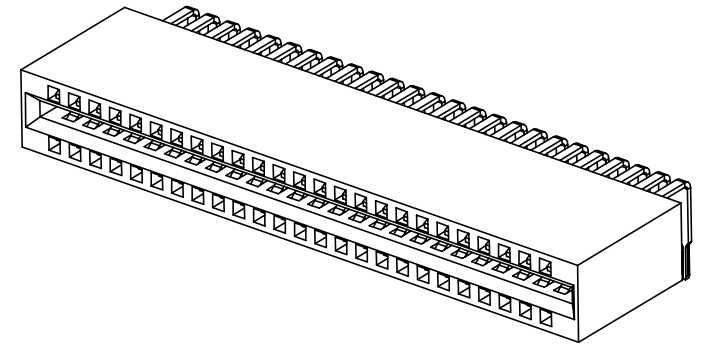
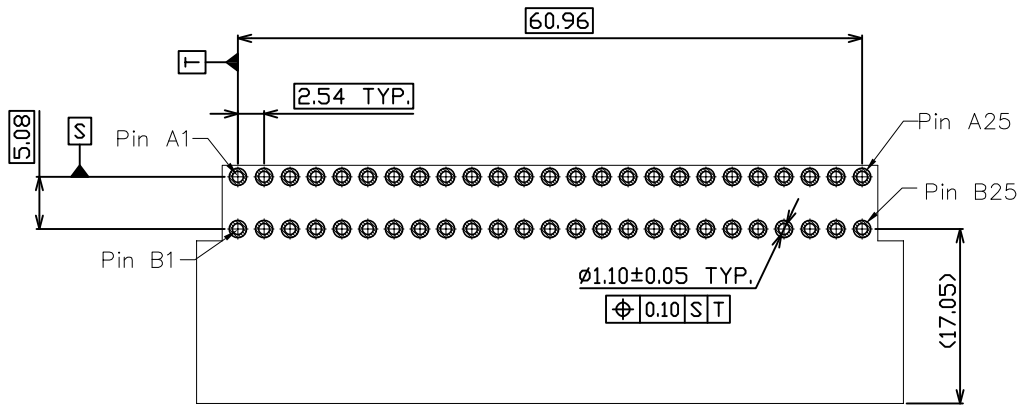
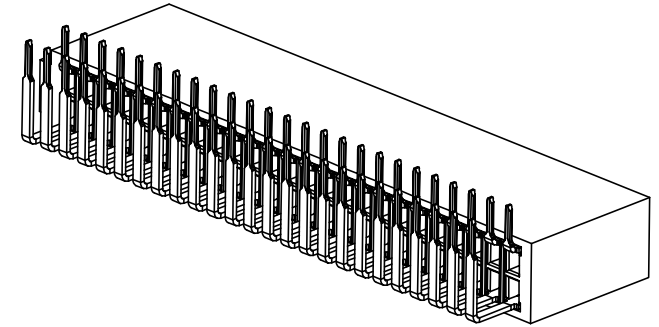
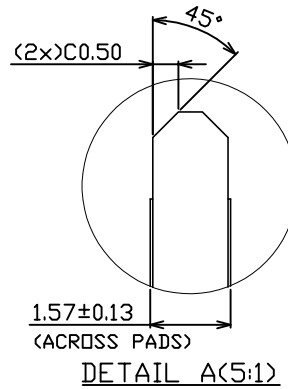
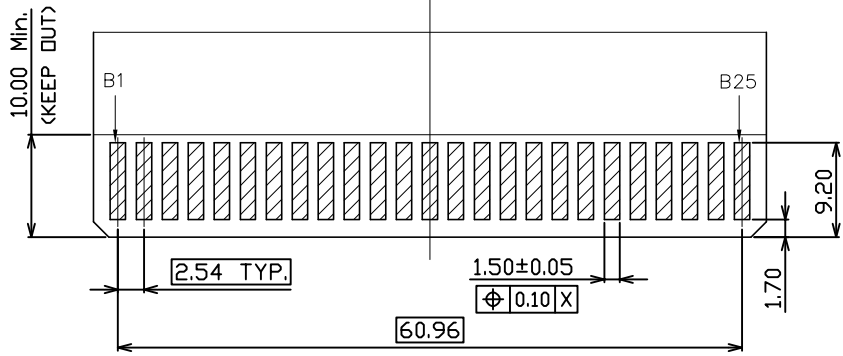
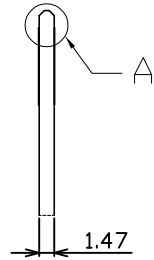
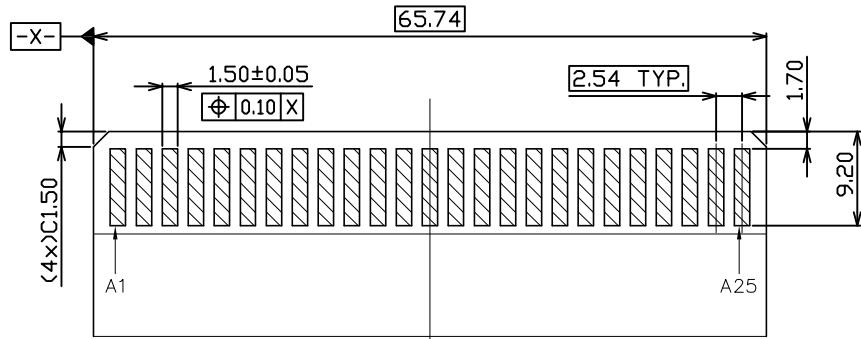
*ALL MATERIAL SHOULD BE FULFILLED ROHS COMPLIANT.

ORDER INFORMATION:



TOLERANCE		深圳市东方御业科技有限公司 ShenZhen CHNEAST Technology co.,Ltd	TITLE: 2.54mm Edge Card R/A DIP 50Pin Power Connector(无铅)			
LINEAR	ANGLES		CUSTOMER COPY	PART NO.:	SEE TABLE	DWG NO.:
X.±0.50	X°.±2.0°	APPD: DRWN: Rocky CHKD: DATE: 2023-9-9	UNITS: MM	SCALE: 1:1	SHEET: 1 OF 2	REV: 0.1
.X ±0.38	.X°±1.0°					
.XX ±0.25	.XX°±					
.XXX ±0.15	.XXX°±					

REV	LTR	DESCRIPTION	DATE	DWN



RECOMMEND P.C.B LAYOUT(TOP VIEW)
TOLERANCE:±0.05

TOLERANCE		深圳市东方御业科技有限公司 ShenZhen CHNEAST Technology co.,Ltd	TITLE: 2.54mm Edge Card R/A DIP 50Pin Power Connector(无铅)				
LINEAR	ANGLES		CUSTOMER COPY	PART NO.:	SCALE	SHEET	
X.±0.50	X°.±2.0°	APPD:	DRWN: Rocky	UNITS	SCALE	SHEET	REV
.X ±0.38	.X°±1.0°						
.XX ±0.25	.XX°±	CHKD:	DATE: 2023-9-9				
.XXX ±0.15	.XXX°±						