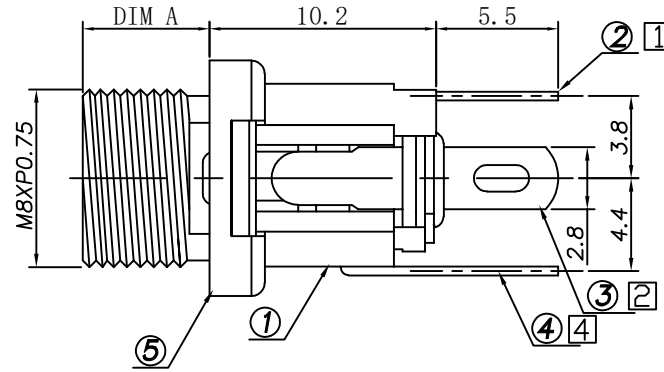
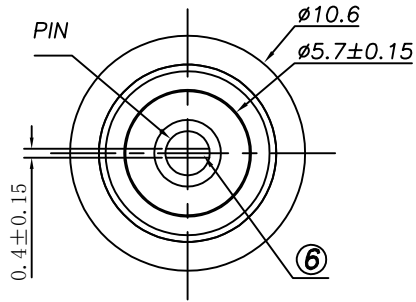
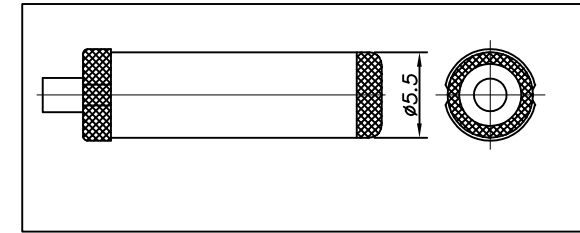
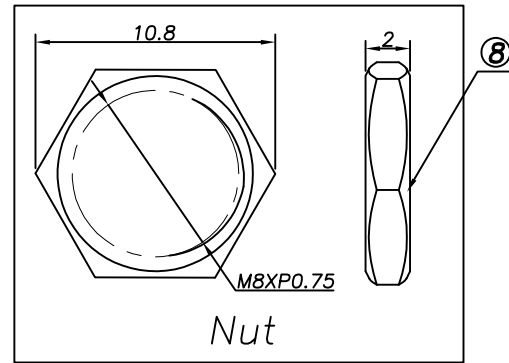
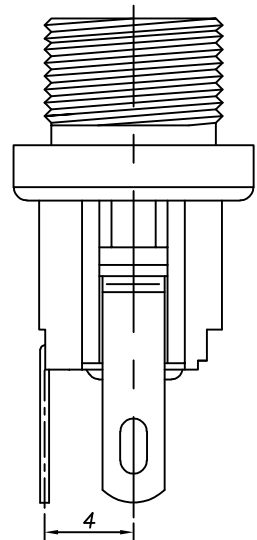


REV.	ECN NO.	MODIFY MATTER	DATE	APPROVED
A		RELEASE TO PRODUCTION		

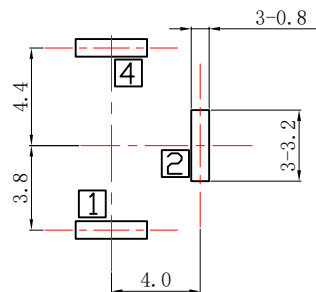
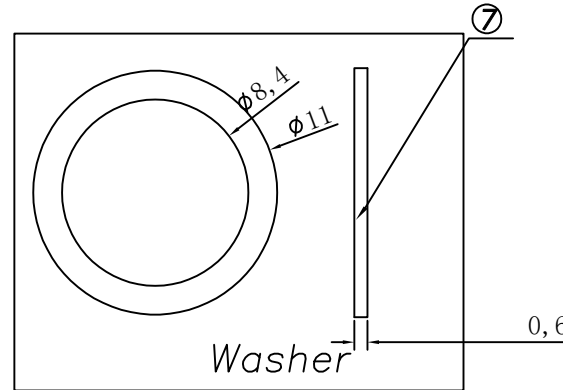


SPECIFICATION

1. Rated Load : 12V 3A;
2. Contact resistance: $\leq 30m\Omega$;
3. Insulation resistance: $\geq 100M\Omega$;
4. Withstand voltage: AC500V ;
5. Insertion and extraction force: 3-30N;
6. life test: 5,000 cycles.



Plug



PCB LAYOUT TOP VIEW

NO.	DESCRIPTION	QTY	MATERIAL	PLATING
⑦	Nut	1	H59	Ni-Plating
⑦	Washer	1	SPCC	Ni-Plating
⑥	Pin	1	H59	Ni-Plating
⑤	Bushing	1	H59	Ni-Plating
④	Shunt Terminal	④	H65	Cu-Sn-Plating
③	Tip Spring	②	QSn6.5	Cu-Sn-Plating
②	Center pin terminal	①	H65	Cu-Sn-Plating
①	Housing	1	PBT	Black

TOLERANCES UNLESS OTHERWISE SPECIFIED:
X. ---
X.X ± 0.38
X.XX ± 0.25
X.XXX ± 0.20
Angle ± 3°

THESE DRAWING AND SPECIFICATION ARE THE PROPERTY OF Shenzhen Dongfangyue ELECTRONIC CO., LTD.. SHALL NOT BE REPRODUCED.

COSTOMER COPY
DRAWN: Qinkx
CHECKED: Chenl
APPROVED: Chenl

深圳市东方御业科技有限公司
WWW.DFYCONN.COM TEL:0755-27155560

TITL: DC JACK 025M
PART NO: EAST-D025M-X.X-X.X
UNIT: mm
SCALE: N/A
SHEEL: REV.

CAT NO.	PIN	SCHEMATIC
EAST-D025M-X.X-2.0	ø2.0	
EAST-D025M-X.X-2.5	ø2.5	
X.X 代表螺纹长度		DIM A=5.7/8.0mm