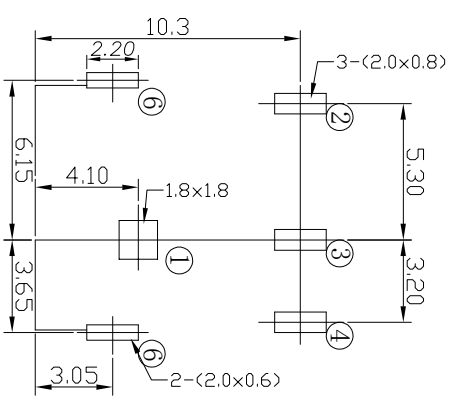
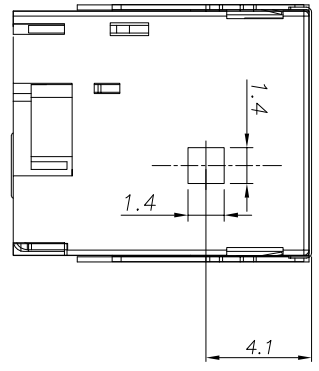
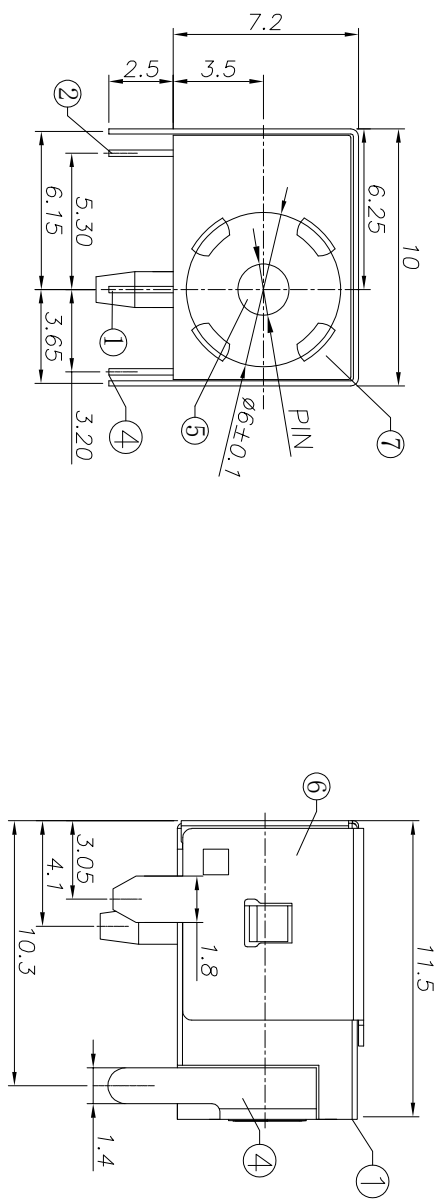
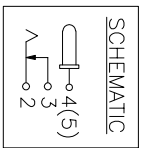
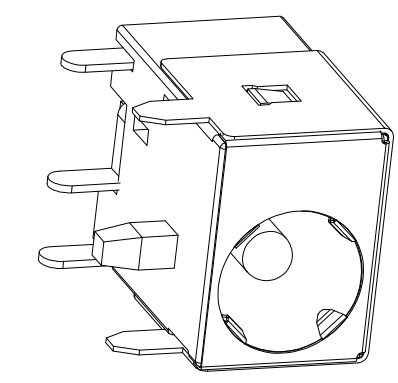


REV.	ECN NO.	MODIFY MATTER	DATE	APPROVED
A		RELEASE TO PRODUCTION		

- SPECIFICATION**
1. Rating : DC 12V 3.0A;
  2. Contact resistance:  $\leq 50m\Omega$ ;
  3. Insulation resistance:  $\geq 100M\Omega$  (DC250V) ;
  4. Withstand voltage: 500VAC ;
  5. Insertion and extraction force: 3-30N;
  6. life test: 5, 000 cycles.



**P. C. B Layout**



NO.	DESCRIPTION	QTY	MATERIAL	COLOR	REMARK
7	外壳	1	SUS301		
6	盖脚	1	BRASS		Ni-Plating
5	插针	1	BRASS		Ni-Plating
4	平片	1	BRASS		Sn-Plating
3	弯片	1	BRASS		Sn-Plating
2	弹片	1	BRONZE		Sn-Plating
1	底座	1	PA9T		

PIN	Ø1.65	Ø2.0	Ø2.5
APPD.165	2.00	2.50	

EAST-DC-044-X.XX-X

塑胶:  
PI/PBT  
L/LCP

TOLERANCES UNLESS OTHERWISE SPECIFIED:		DRAWING: CHENLEI		CHECKED: CHENLEI		APPROVED: QINJIANMING	
X	± 0.38	2017/09/10		2017/09/10		2017/09/10	
X.X	± 0.25	DRAWN: CHENLEI		CHECKED: CHENLEI		APPROVED: QINJIANMING	
X.XX	± 0.10	DRAWING: CHENLEI		CHECKED: CHENLEI		APPROVED: QINJIANMING	
X.XXX	± 1°	DRAWING: CHENLEI		CHECKED: CHENLEI		APPROVED: QINJIANMING	
Angle	± 1°	DRAWING: CHENLEI		CHECKED: CHENLEI		APPROVED: QINJIANMING	

THESE DRAWING AND SPECIFICATION ARE THE PROPERTY OF Shenzhen Dongfangyue Electronic Co., Ltd. SHALL NOT BE REPRODUCED.

深圳市东方御业科技有限公司  
W.W.W.DF.YYCDNN.COM TEL:0755-271555560

DC JACK

EAST-DC-044-X.XX

SCALE: N/A  
SHEET: 1:1  
REV.