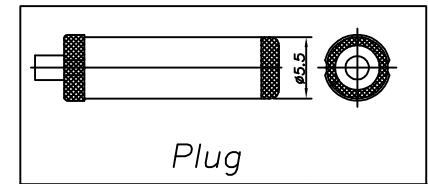
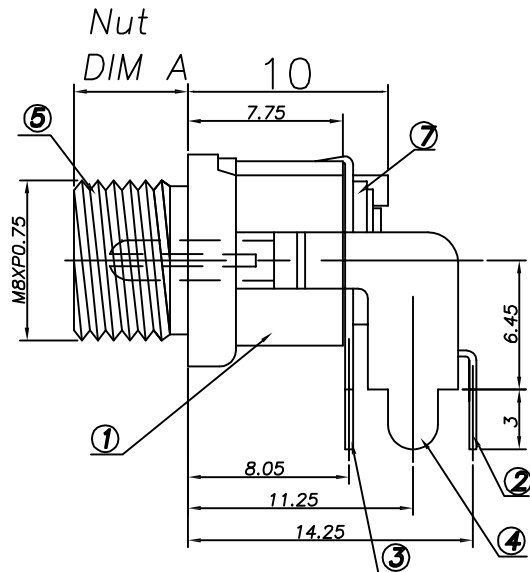
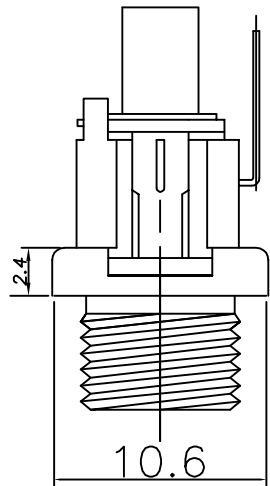
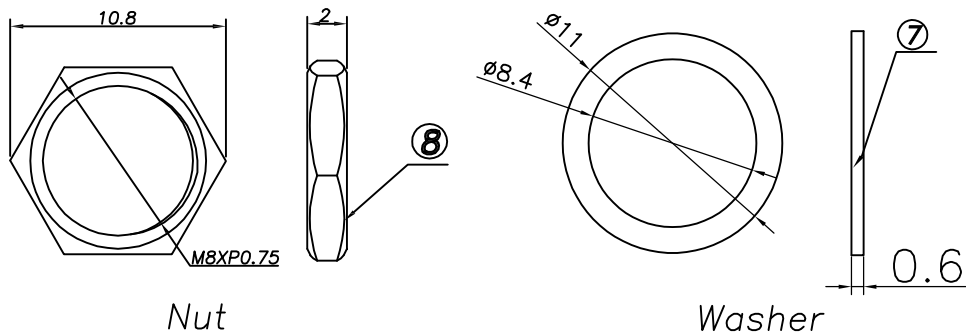
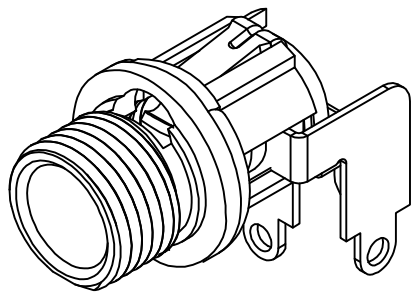


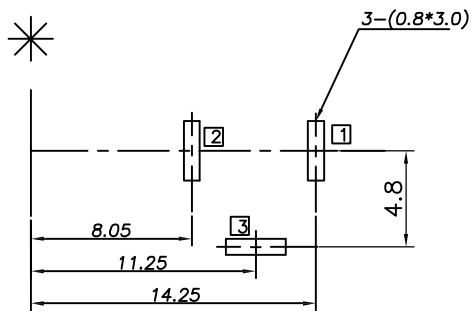
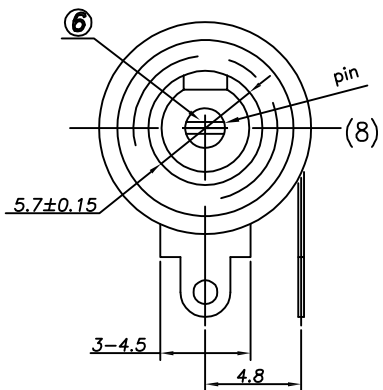
REV.	ECN NO.	MODIFY MATTER	DATE	APPROVED
A		RELEASE TO PRODUCTION		



- SPECIFICATION**
1. Rated Load : 30V 3A;
  2. Contact resistance:  $\leq 30m\Omega$ ;
  3. Insulation resistance:  $\geq 100M\Omega$  ;
  4. Withstand voltage: AC500V ;
  5. Insertion and extraction force: 3-30N;
  6. life test: 5,000 cycles.



CAT NO.	PIN	SCHEMATIC
EAST-D026M-X.X-2.0	$\phi 2.0$	
EAST-D026M-X.X-2.5	$\phi 2.5$	
X.X 代表螺纹长度		DIM A=5.7/8.5mm



NO.	DESCRIPTION	QTY	MATERIAL	COLOR	REMARK
9	WASHER	1	STEEL T=0.3	—	MB:Cu Ni PLATED
8	NUT	1	BRASS T=2.1	—	MB:Cu Ni PLATED
7	HOUSING	1	PBT 4815	—	UL-94V0(BLACK)
6	INSULATOR	1	PF	—	—
5	AXIS SUPPORT	1	C2680	—	MB:Cu Ni PLATED
4	PIN	1	C2680	—	MB:Cu Ni PLATED
3	SHUNT TERMINAL	1	C5191	—	MB:Cu Sn PLATED
2	TIP SPRING	1	C2680	—	MB:Cu Sn PLATED
1	CENTER PIN TERMINAL	1	C2680	—	MB:Cu Sn PLATED

NO.	DESCRIPTION	QTY	MATERIAL	COLOR	REMARK
TOLERANCES UNLESS OTHERWISE SPECIFIED:		COSTOMER COPY		深圳市东方御业科技有限公司	
X	---	DRAWN: Qinkx		2017/09/10	
X.X	$\pm 0.38$	CHECKED: Chenl		2017/09/10	
X.XX	$\pm 0.25$	APPROVED: Chenl		2017/09/10	
X.XXX	$\pm 0.20$	UNIT: mm		SCALE: N/A	
Angle	$\pm 3'$	SHEET: 1		REV.	
THESE DRAWING AND SPICAFION ARE THE PROPERTY OF Shenzhen Dongfangyue ELECTRONIC CO., LTD.. SHALL NOT BE REPRODUCED.		TITIAL: DC JACK		PART NO: EAST-D026M-X.X-X.X	

www.dfycn.com