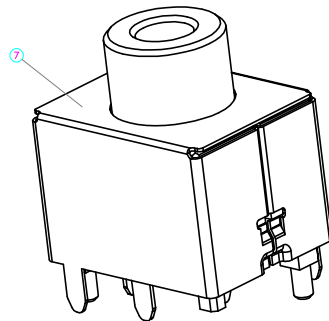
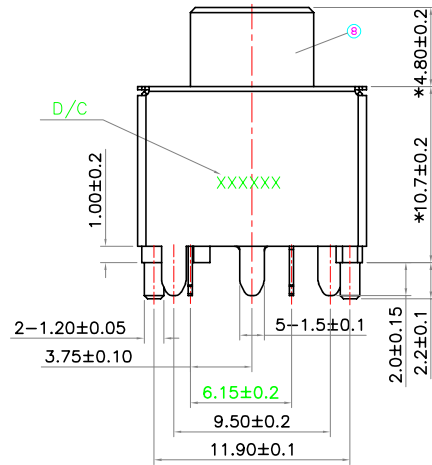
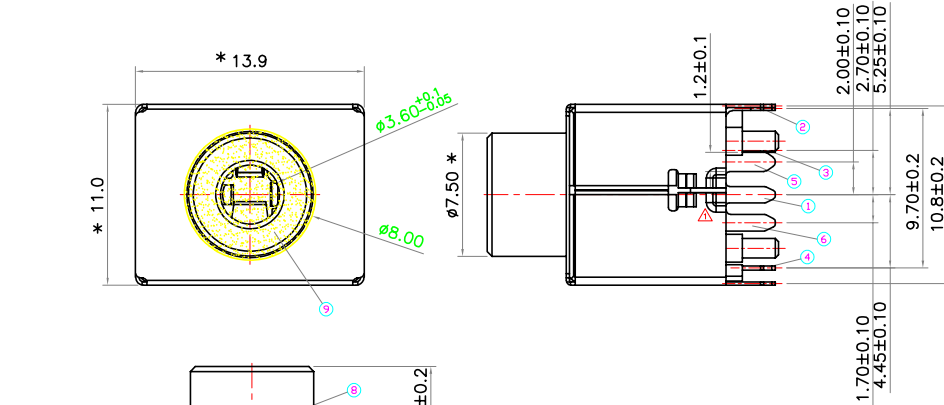


REV.	ECN NO.	MODIFY MATTER	DATE	APPROVED
A		RELEASE TO PRODUCTION		

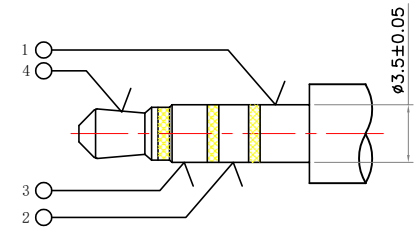
**Notes:**

- Electrical Characteristics:**
  - 1-1. Rating : DC 20V 1.0 A;
  - 1-2. Contact Resistance: 30mΩ Max.(Initial),  
Between plug and contact 100mΩ Max;  
(Final) After Life test: ≤60mΩ;
  - 1-3. Dielectric Withstanding Voltage: 500V AC for One Minute;
  - 1-4. Insulation Resistance: 100MΩ Min. Measured By 500 VDC;
- Mechanical Characteristics:**
  - 2-1. Plug Insertion Force 0.3~3.0Kgf (initial),  
0.3~3.0Kgf (Final) life test;
  - 2-2. Plug Extraction Force: 0.3~3.0Kgf (initial),  
0.3~3.0Kgf (Final) life test;
- Durability Test:** 5,000 Cycles min;
- Operating temperature:** -25°C ~ +70°C;
- Resistance to Soldering Heat** Reflow soldering 260°C Dip time: 5 ± 1 seconds;
- Plug Interface Dimensions** Conform To EIAJ RC-5325A Spec;
- Resistance to Solder Heat:** 270C, 5sec;
- Packaging:** Tape Reel;

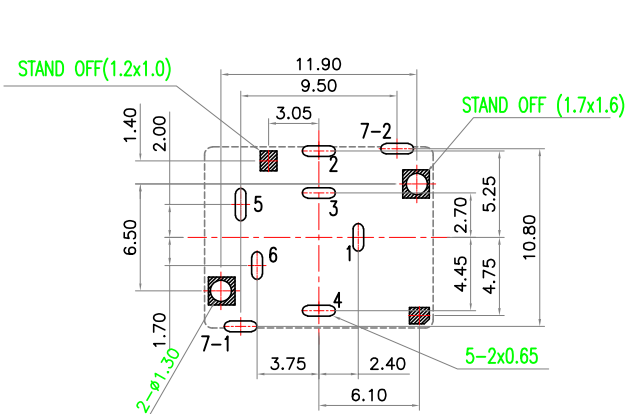


EAST-3176A-X

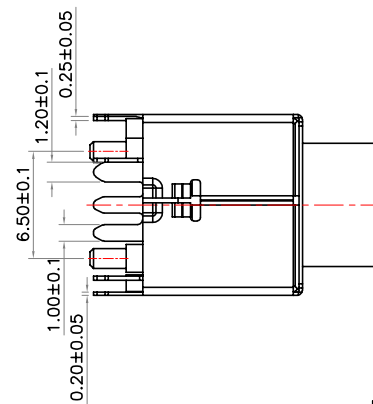
- B:BLACK
- P:PINK
- G:GREEN



ø3.5-(4)MATEING PLUG-REF



**Recommend of PC Board Holes**  
Tolerance : ±0.05(Side View)



9	MYLAR	1	ø8.0*0.12		
8	HOUSING	1	PA10T	UL-94VO	BLACK
7	SHELL	1	SUS301 t=0.20	Ni	PLATED
6	TERMINAL-6	1	C2680 t=0.25	MB:Ni	Sn PLATED
5	TERMINAL-5	1	C5210 t=0.20	MB:Ni	Sn PLATED
4	TERMINAL-4	1	C5210 t=0.25	Gold Flash On Contact Area; Tin Plated On Solder Tail; Under Nickel Plated Over All.	
3	TERMINAL-3	1	C5210 t=0.25		
2	TERMINAL-2	1	C5210 t=0.25		
1	TERMINAL-1	1	C5210 t=0.25		
LTR	PART NAME	QTY	MATERIAL	REMARK	

TOLERANCES UNLESS OTHERWISE SPECIFIED:  
 X. ---  
 X. X ± 0.38  
 X. XX ± 0.25  
 X. XXX ± 0.10  
 Angle ± 1°

THESE DRAWING AND SPECIFICATION ARE THE PROPERTY OF Shenzhen Dongfangyue ELECTRONIC CO., LTD.. SHALL NOT BE REPRODUCED.

CUSTOMER COPY  
 DRAWN: CHENLEI  
 CHECKED: CHENLEI  
 APPROVED: QINKAIXING

深圳市东方御业科技有限公司  
 WWW.DFYCONN.COM TEL:0755-27155560

TITLE:  
 ø 3.5mm PHONE JACK 直立式H10.7mm (RoHS)

PART NO:  
 EAST-3176A-X

UNIT: mm  
 SCALE: N/A  
 SHEEL: 1:1  
 REV.

