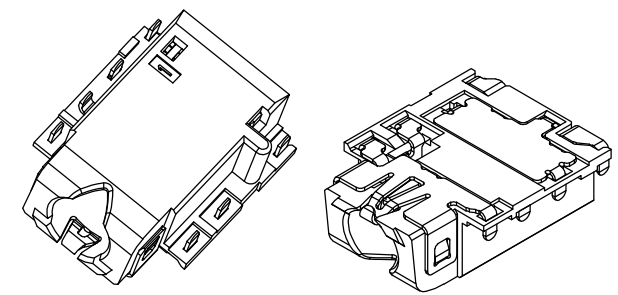
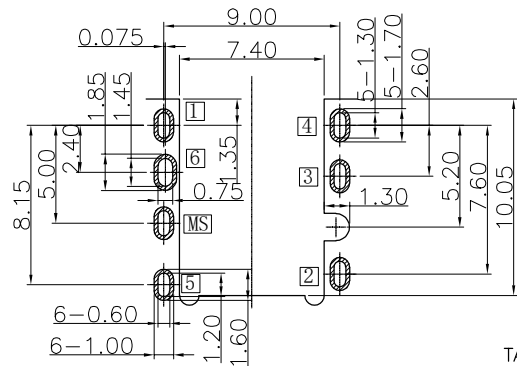
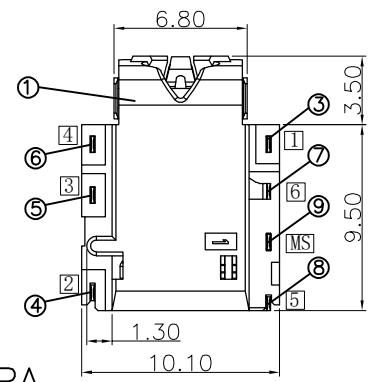
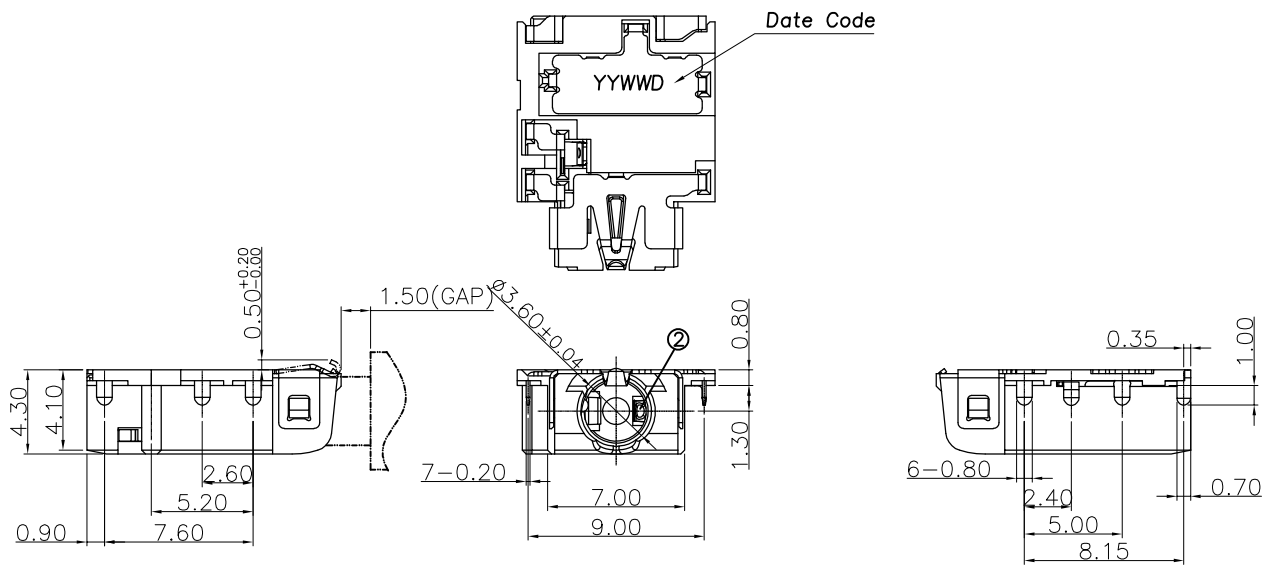


REV.	ECN NO.	MODIFY MATTER	DATE	APPROVED
A		RELEASE TO PRODUCTION	2013/02/05	Mike

NOTES:

- MATERIAL: SEE "TABLE 1";
- FINISH: SEE "TABLE 1";
- ELECTRICAL:
 - VOLTAGE RATING: 12 VAC RMS;
 - CURRENT RATING: 0.5 AMP;
 - CONTACT RESISTANCE: 50mΩ Max.(Initial), 100mΩ Max.(After Life test);
 - INSULATION RESISTANCE: 1000 MΩ Min., 500VDC.(Initial), 100 MΩ Min., 500VDC.(After Humidity test);
 - WITHSTAND VOLTAGE: 500 VAC RMS 50(60)Hz, 1 minute;
- MECHANICAL:
 - MATING FORCE: 3.0Kgf MAX.;
 - UNMATING FORCE: 0.3Kgf MIN.;
 - OPERATING LIFE: 5000 CYCLES MIN.;
- ENVIRONMENTAL:
 - OPERATION: -30°C~+80°C.



3D VIEW

EAST-2394D-06FB-APA

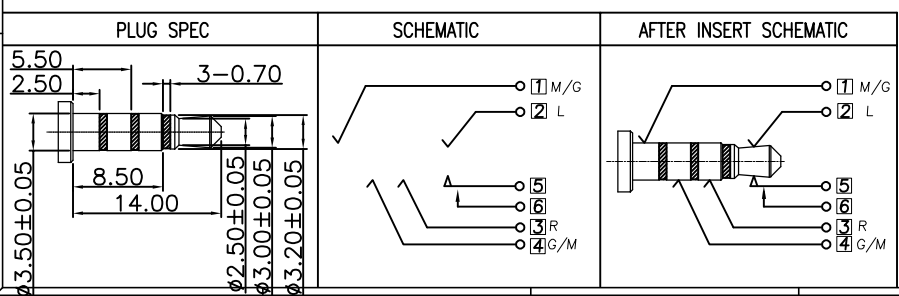
B:BLACK
P:PINK
G:GREEN

RECOMMENDED P.C.B LAYOUT
TOP VIEW
(TOLRANCE:±0.05)

TABLE 1:

NO.	PART NAME	QTY	MATERIAL	DESCRIPTION	REMARK
⑧	Shell	1	Stainless steel	Ni 50u" Min	T=0.20mm
⑧	Contact_5	5	Phosphor bronze	G/F On Contact And Solder Tail Area,	T=0.20mm
⑦	Contact_6	6	Phosphor bronze		T=0.20mm
⑥	Contact_4	4	Phosphor bronze	Gold Flash on contact area, Plate Matte Tin on solder tail, Nickel underplated.	T=0.20mm
⑤	Contact_3	3	Phosphor bronze		T=0.20mm
④	Contact_2	2	Phosphor bronze		T=0.20mm
③	Contact_1	1	Phosphor bronze		T=0.20mm
②	Separator	1	HIGH TEMP	BLACK,UL94V-0	
①	Housing	1	HIGH TEMP	BLACK,UL94V-0	

DO NOT SCALE PRINT



TOLERANCES UNLESS OTHERWISE SPECIFIED:
X. ---
X.X ± 0.38
X.XX ± 0.25
X.XXX ± 0.20
Angle ± 3°

THESE DRAWING AND SPECIFICATION ARE THE PROPERTY OF Shenzhen dongfangyuye CO.,LTD. SHALL NOT BE REPRODUCED.

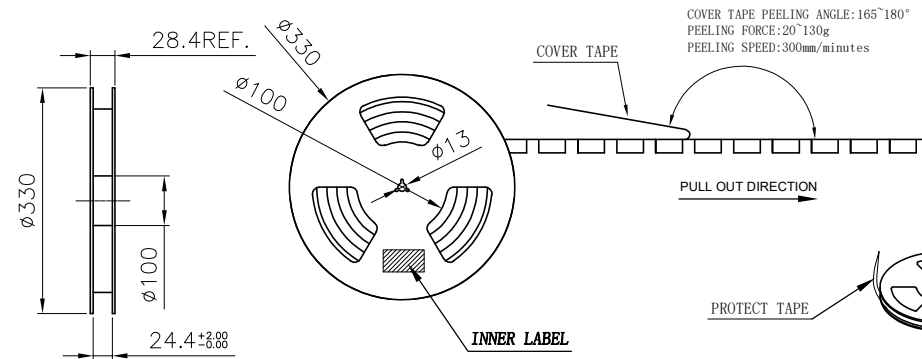
INSPECTION COPY

深圳市东方御业科技有限公司
WWW.DFYCONN.COM TEL:0755-27155560

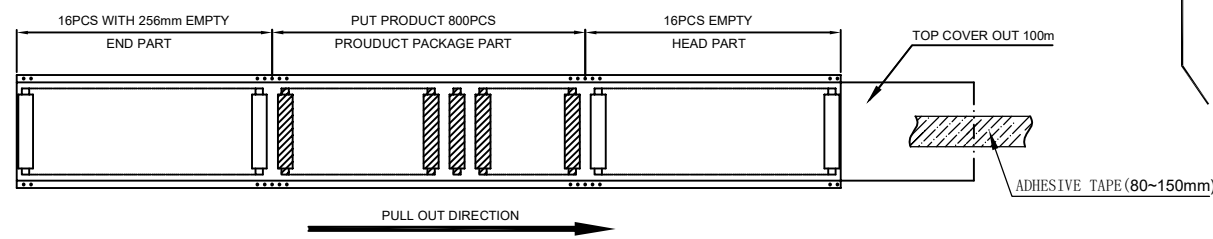
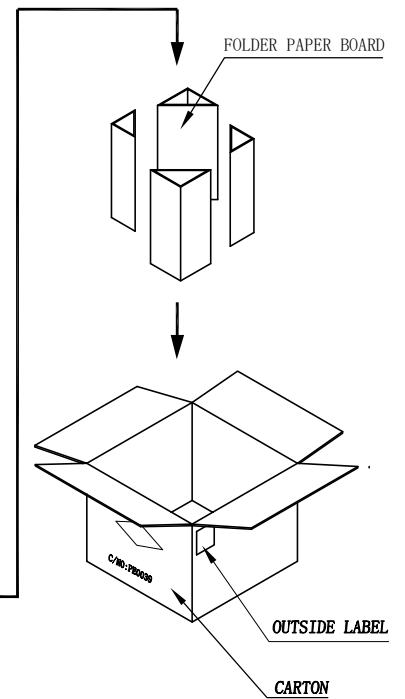
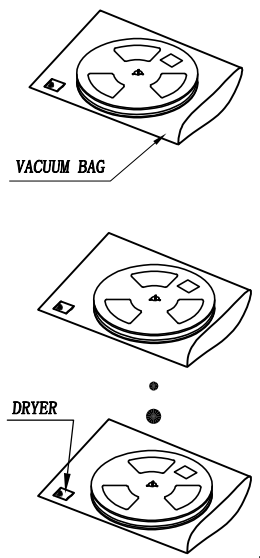
DRAWN: chenlei 2013/02/05
CHECKED: qinkx 2013/02/05
APPROVED: qinkx 2013/02/05

TITLE: Ø3.5mm Phone Jack CONN.
PART NO: EAST-2394D-06FB-APA
UNIT: mm SCALE: N/A SHEEL: 1/1 REV: A

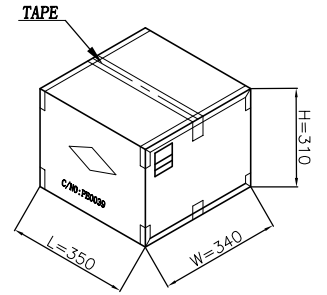
REV.	ECN NO.	MODIFY MATTER	DATE	APPROVED
A		RELEASE TO PRODUCTION	2013/02/05	Mike



10 DISK

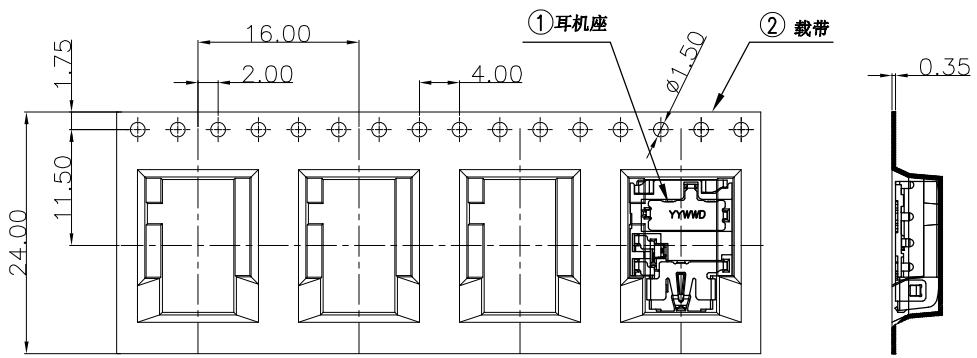


- NOTES:
- Material requirements:
 - The carton material requirements for the K=A, Dimension is 350*340*310mm;
 - Reel materials for PET; size reel for 330*28.4.
 - Packaging requirements:
 - The tape into the packing machine, before the empty 16PCS, after the release of the product 800PCS, then the empty 16PCS with 256mm length of stay;
 - Top cover should out 100mm of the carrier tape. After winding, using adhesive tape (80-150mm) to stick the leader of cover tap on the side of the carrier tape;
 - Winding a protect tape arroud the reel, then stick it by adhesive tape;
 - Label should paste in the designated area of the reel;
 - Put a dryer and a packed reel in the vacuum bag and make the vacuum process;
 - The tired folded 10 disks in the carton total 8000pcs;
 - Packed finished packing sealing, and in the outer carton label



CARTON SIZE

1 CARTON = 10 REEL = 8000 PRODUCT



TOLERANCES UNLESS OTHERWISE SPECIFIED: X. --- X.X ± 0.38 X.XX ± 0.25 X.XXX ± 0.20 Angle ± 3°	INSPECTION COPY	深圳市东方御业科技有限公司 WWW.DFYCONN.COM TEL:0755-27155560		
	DRAWN: chenlei	2013/02/05	TITL:	ø3.5mm Phone Jack CONN.
THESE DRAWING AND SPECIFICATION ARE THE PROPERTY OF Shenzhen dongfangyuye CO.,LTD. SHALL NOT BE REPRODUCED.	CHECKED: qinkx	2013/02/05	PART NO:	EAST-2394D-06FB-APA
	APPROVED: qinkx	2013/02/05	UNIT: mm	SCALE: N/A SHEEL: 1/1 REV: A

DO NOT SCALE PRINT