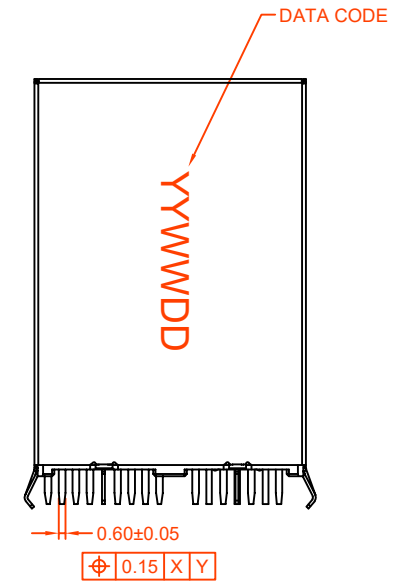
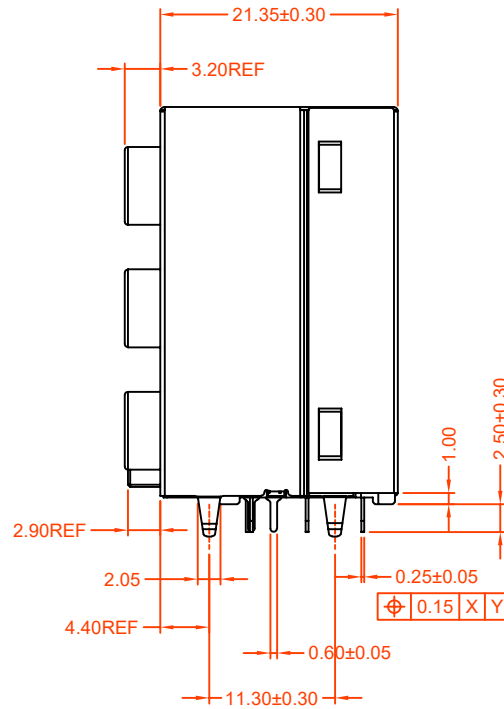
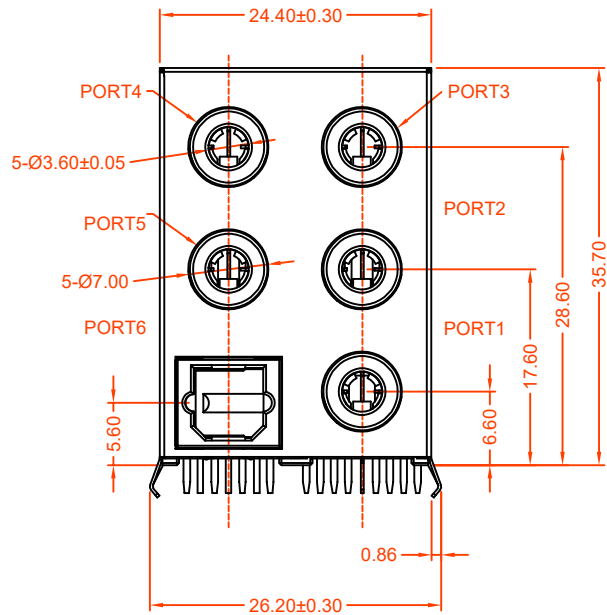
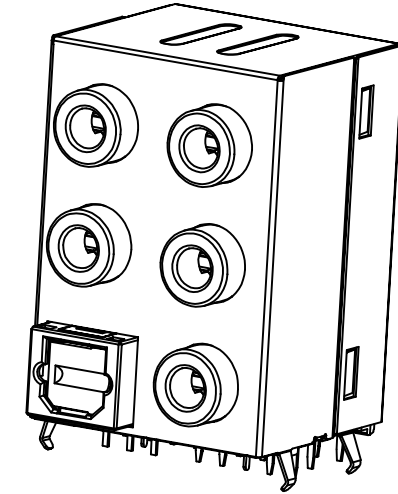
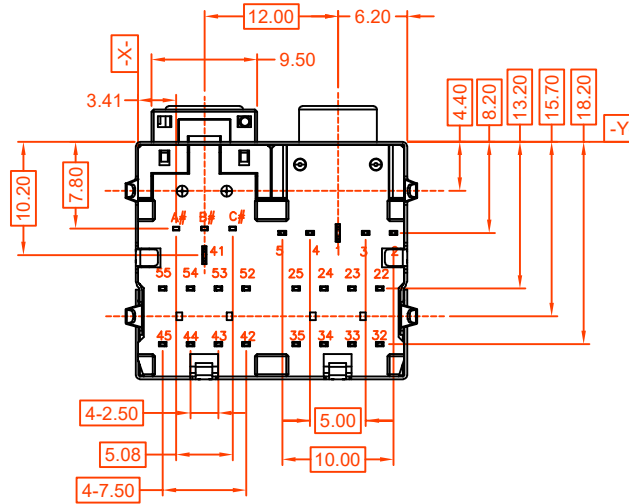
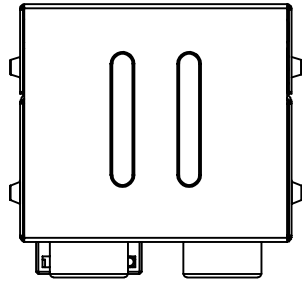


REV.	ECN NO.	MODIFY MATTER	DATE	APPROVED
A		RELEASE TO PRODUCTION		

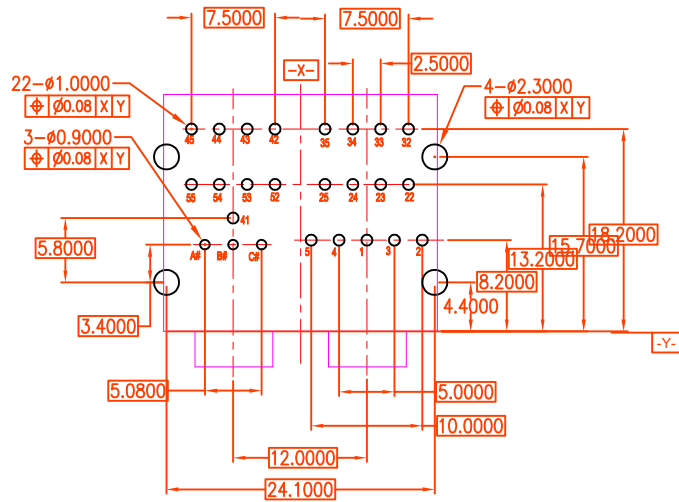


TOLERANCES UNLESS OTHERWISE SPECIFIED:
 X. ---
 X.X ± 0.38
 X.XX ± 0.25
 X.XXX ± 0.20
 Angle ± 3°

CUSTOMER COPY
 DRAWN: Qinkx
 CHECKED: Chenl
 APPROVED: Chenl

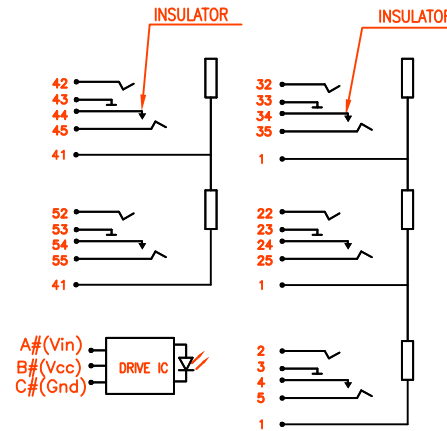
深圳市东方御业科技有限公司
 WWW.DFYCONN.COM TEL:0755-27155560
 TITL: 5Port+SPDIF OD JACK+SPDIF成品工程图 (RoHS)
 PART NO: EAST-659S-13-S
 UNIT: mm
 SCALE: N/A
 SHEEL: 1
 REV.

REV.	ECN NO.	MODIFY MATTER	DATE	APPROVED
A		RELEASE TO PRODUCTION		

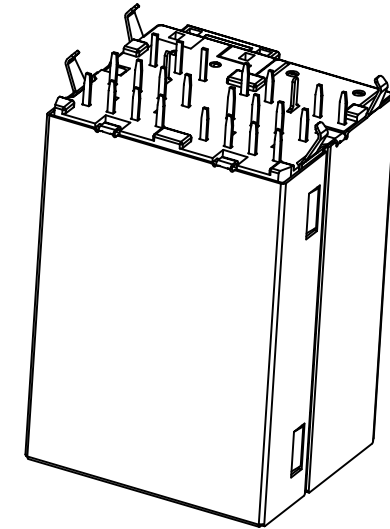


PCB LAYOUT (TOP VIEW)

TOLERANCE:±0.05mm



CIRCUIT SCHEMATIC



TABLE

✓ EAST-659S-13-S	BLACK	RED032C	BLACK	BLACK	BLACK	BLACK
EAST-659S-12-S	RED701C	GREEN577C	BLUE284C	BLACK	ORANGE157C	GRAY
EAST-659S-11-S	RED701C	GREEN577C	BLUE284C	BLACK	ORANGE157C	BLACK
PORT NO	PORT 1	PORT 2	PORT 3	PORT 4	PORT 5	PORT 6

NOTE:

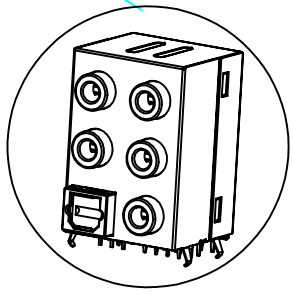
- 1.ROHS COMPLIANT
- 2.MECHANICAL PERFORMANCE.
 - 2.1 INSERTION FORCE: 3.0Kgf MAX.
 - 2.2 WITHDRAWAL FORCE: 0.3Kgf MIN.
 - 2.3 DURABILITY:1500 CYCLES.
- 3.ELECTRICAL PERFORMANCE.
 - 3.1 INSULATION RESISTANCE: 100MΩ MIN.
 - 3.2 DIELECTRIC WITHSTANDING VOLTAGE: 500VAC
 - 3.3 CONTACT RESISTANCE: 50mΩ MAX.(INITIAL)
100mΩ MAX.(AFTER LIFE TEST)
- 4.ENVIRONMENTAL CHARACTERSTICS.
 - 4.1 STORAGE TEMPERATURE RANGE:-40°C~+85°C.
 - 4.2 OPERATING TEMPERATURE: -25°C~+85°C.

12	Audio Jack HAT	PBT+30%G.F, UL94V-0	color see table	5
11	Audio Cover	PA66, UL94V-0	Black	1
10	Housing	PA66, UL94V-0	Black	2
9	Spdif Gate flap	PBT+30%G.F, UL94V-0	color see table	1
8	Spdif Door frame	PA66, UL94V-0	Black	1
7	Spdif IC A#&B#&C#	TX 25M		1
6	Shield	SUS430	50u"Nickel Plated	1
5	Land Terminals 41:1	C2680	Tin100u" Plated & 50u"Nickel Plated Contact point plating G/F	2
4	Tip Terminals 53;43;33;23;3	C2680		5
3	TS Terminals 52;42;32;22;2	C2680		5
2	RS Terminals 55;45;35;25;5	C2680		5
1	Ring Terminals 54;44;34;24;4	C2680		5
ITEM	NAME	MATERIAL	FINISH	SUM

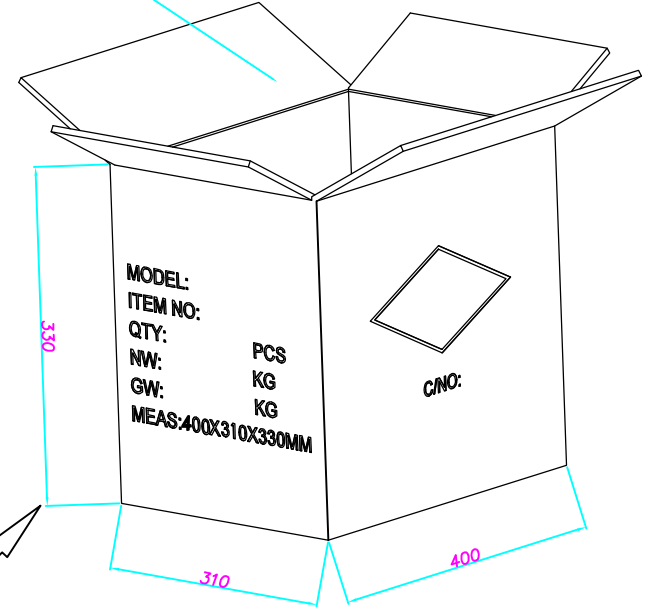
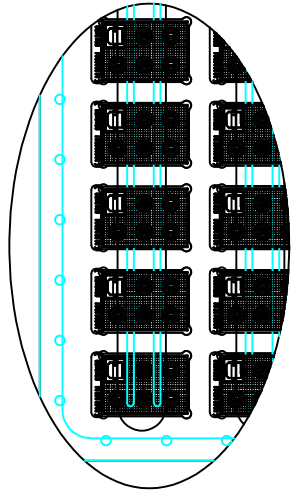
TOLERANCES UNLESS OTHERWISE SPECIFIED: X. --- X.X ± 0.38 X.XX ± 0.25 X.XXX ± 0.20 Angle ± 3°	COSTUMER COPY	深圳市东方御业科技有限公司 WWW.DFYCONN.COM TEL:0755-27155560		
	DRAWN: Qinkx	2019/09/10	TITL: 5Port+SPDIF OD JACK+SPDIF成品工程图 (RoHS)	
CHECKED: Chenl	2019/09/10	PART NO: EAST-659S-13-S		
APPROVED: Chenl	2019/09/10	UNIT: mm	SCALE: N/A	SHEEL: REV.

REV.	ECN NO.	MODIFY	MATTER	DATE	APPROVED
A		RELEASE TO PRODUCTION			

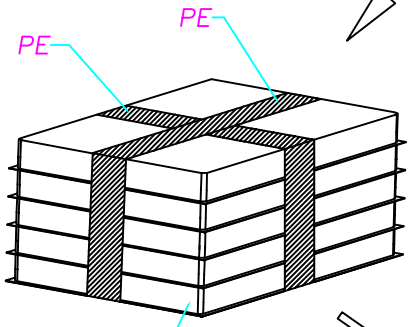
PRODUCT



1 CARTON/2PCS INNER BOX
SIZE: L400XW310XH330

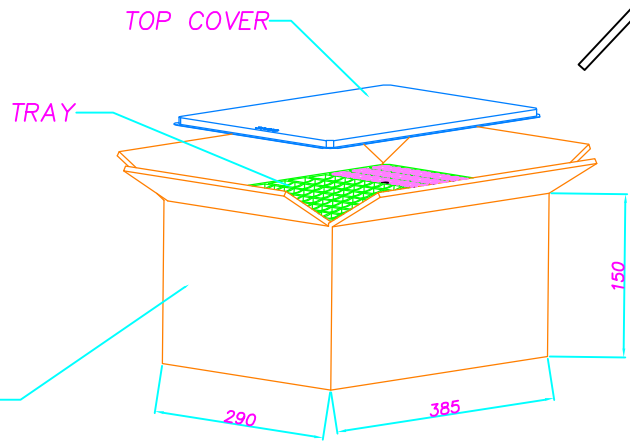


1大箱=250pcs/小箱*2小箱
=500pcs



1 TRAY /50PCS PPRODUCT
SIZE: L375XW280XH28

1 INNER BOX/5PCS TRAY
SIZE: L385XW290XH150



1小箱=50pcs/盒*5
=250pcs

TOLERANCES UNLESS OTHERWISE SPECIFIED: X. --- X.X ± 0.38 X.XX ± 0.25 X.XXX ± 0.20 Angle ± 3'	COSTOMER COPY		深圳市东方御业科技有限公司 WWW.DFYCONN.COM TEL:0755-27155560		
	DRAWN: Qinkx	2019/09/10	TITAL: 5Port+SPDIF OD JACK+SPDIF成品工程图 (RoHS)		
CHECKED: Chenl	2019/09/10	PART NO: EAST-659S-13-S			
APPROVED: Chenl	2019/09/10	UNIT: mm	SCALE: N/A	SHEEL: REV.	