

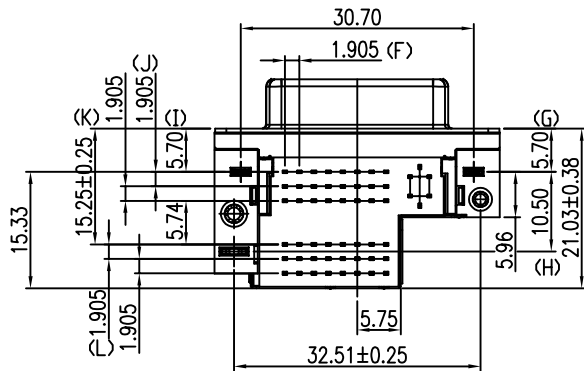
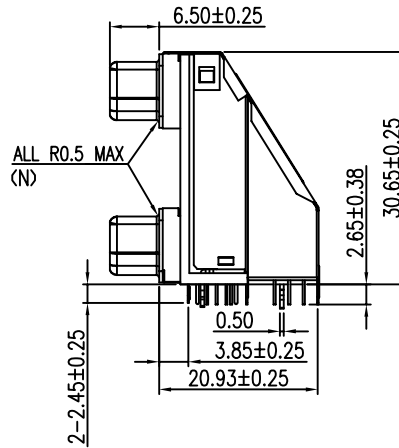
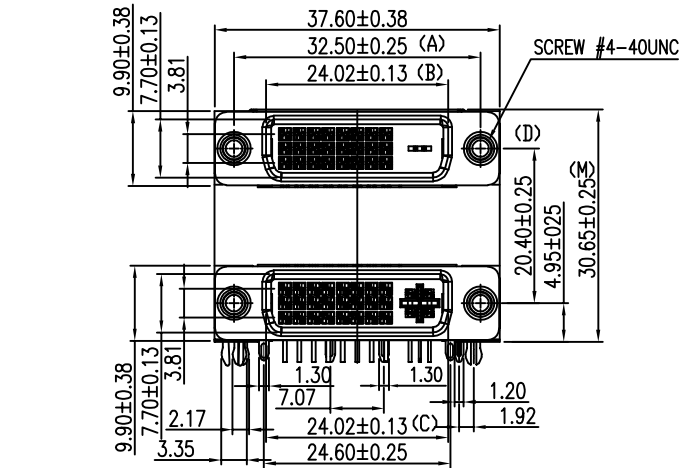
REV.	ECN NO.	MODIFY MATTER	DATE	APPROVED
A		RELEASE TO PRODUCTION		

NOTES

- MATERIAL:**
 Housing(UPPER):LCP, UL 94V-0, Color:Black.
 Housing(LOWER):LCP, UL 94V-0, Color:Black.
 Terminal:Copper Alloy.
 Shell:SPCC.
 Shield:Stainless Steel.
 Boardlock:Copper Alloy.
 Bracket:Zinc Alloy.
- FINISH:**
 Terminal:Selective Au in Contact Area,
 100u" MIN. Tin Plated in Solder Area,
 50u" MIN. Nickel Underplated Overall.
 Shell: 50u" MIN, Nickel Plated Overall.
 Boardlock:Tin Plated.
 Bracket:Nickel Plated.
- This Product is LEAD-FREE & RoHS Compliance Product.

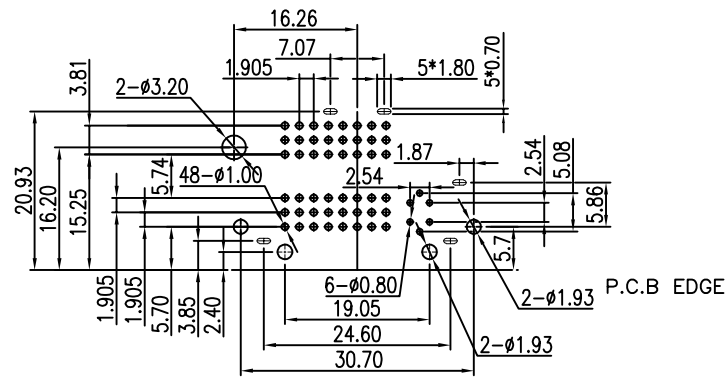
SPECIFICATIONS

- DVI
 - Operation Voltage: 40 VAC(RMS) Max.
 - Current Rating: 1.5 Ampere per Contact
 - Contact Resistance(UPPER): 30 Milliohms Max.
Contact Resistance(LOWER): 20 Milliohms Max.
 - Insulation Resistance: 1000 Megohms Min.
 - Dielectric Withstanding Voltage: 500V DC(RMS)
 - Total Mating Force: 4.5 Kgf Max.
 - Total Unmating Force: 1.0 Kgf Min.
 - Operating Temperature: -55°C to +85°C



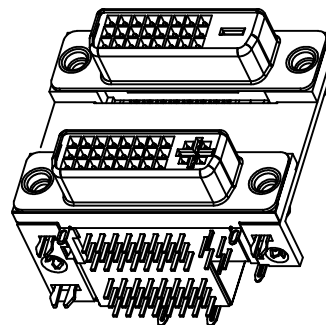
EAST-DVIDV2V4CAX2R

- 上层: V2:DVI-D 24+1P
 下层: V4:DVI-I 24+5P
 中心高: C:20.40mm
 螺丝: 1:无螺丝
 A:锁螺丝4.8*11.8
 B:附螺丝4.8*11.8
 E:锁螺丝5.8*11.8
 F:附螺丝5.8*11.8
- 环保要求: R:ROHS
 塑胶材质:
 1:PBT
 2:LCP
 4:上层PBT, 下层LCP
 塑胶颜色:
 1:黑色
 4:白色
 C:上层黑色, 下层白色
 F:上层白色, 下层黑色



RECOMMENDED P.C.B. LAYOUT

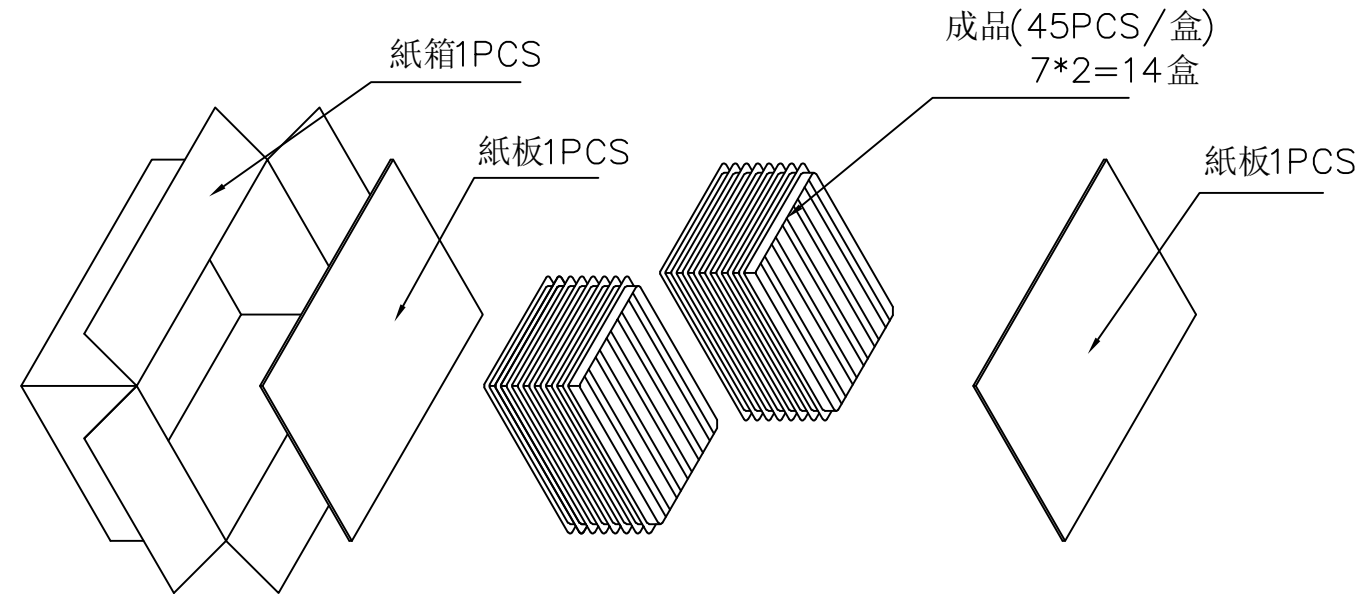
INSPECTION DIMENSION:(A)~(N)



TOLERANCES UNLESS OTHERWISE SPECIFIED: X. --- X.X ± 0.38 X.XX ± 0.25 X.XXX ± 0.10 Angle ±1°	COSTOMER COPY	深圳市东方御业科技有限公司 www.DFYCONN.COM TEL:0755-27155560			
	DRAWN: CHENLEI	2017/09/10	TITL: DVI-D / DVI-I FEMALE RIGHT ANGLE (RoHS)		
THESE DRAWING AND SPECIFICATION ARE THE PROPERTY OF Shenzhen Dongfangyue ELECTRONIC CO., LTD., SHALL NOT BE REPRODUCED.	CHECKED: CHENLEI	2017/09/10	PART NO: EAST-DVIDV2V4CAX2R		
	APPROVED: QINKAIXING	2017/09/10	UNIT: mm	SCALE: N/A	SHEEL: 1:1

REV.	ECN NO.	MODIFY MATTER	DATE	APPROVED
A		RELEASE TO PRODUCTION	2018/01/20	Mike

包装图



加厚纸箱: 45*31*22.5CM

EAST-DVIDV2V4CAX2R	X.XX	X.XX	45*14=630
料 號	N.W: (KG)	G.W: (KG)	QT'Y(PCS)

TOLERANCES UNLESS OTHERWISE SPECIFIED: X. --- X.X ± 0.38 X.XX ± 0.25 X.XXX ± 0.20 Angle ± 3°	CUSTOMER COPY	深圳市东方御业科技有限公司 WWW.DFYCONN.COM TEL:0755-27155560		
	DRAWN: Qinx	2018/01/20	TITLE: D-SUB 双层系列包装图 (RoHS)	
THESE DRAWING AND SPECIFICATION ARE THE PROPERTY OF Shenzhen dongfangyue ELECTRONIC CO., LTD., SHALL NOT BE REPRODUCED.	CHECKED: Chenl	2018/01/20	PART NO: EAST-DVIDV2V4CAX2R	
	APPROVED: Chenl	2018/01/20	UNIT: mm 	SCALE: N/A SHEEL: 1/1 REV: A

www.dfyconn.com