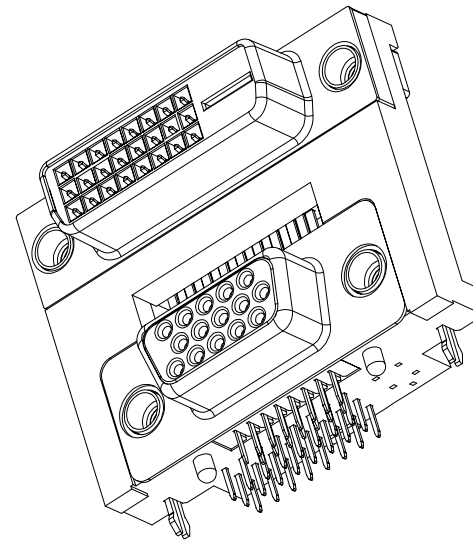
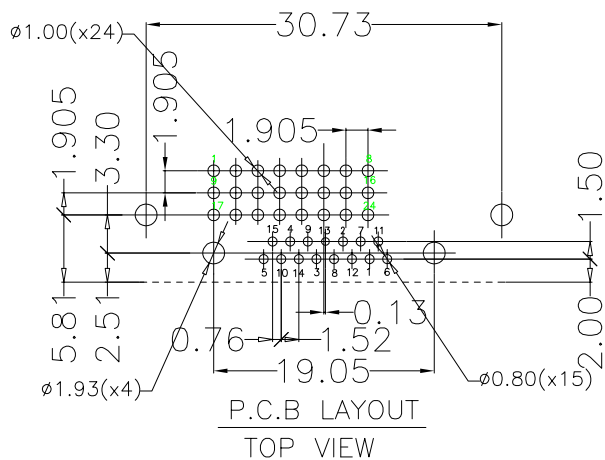
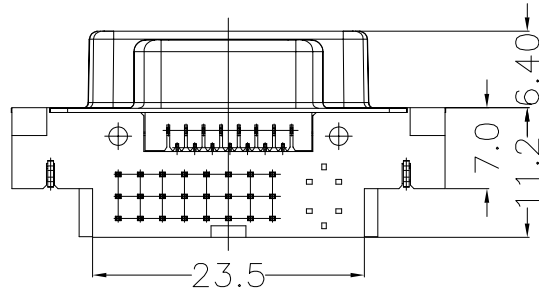
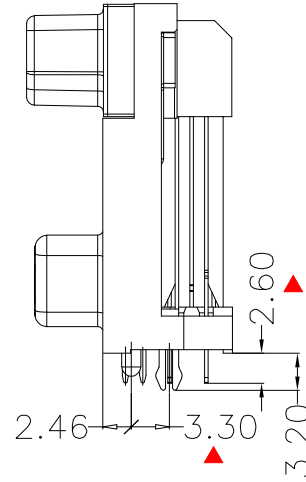
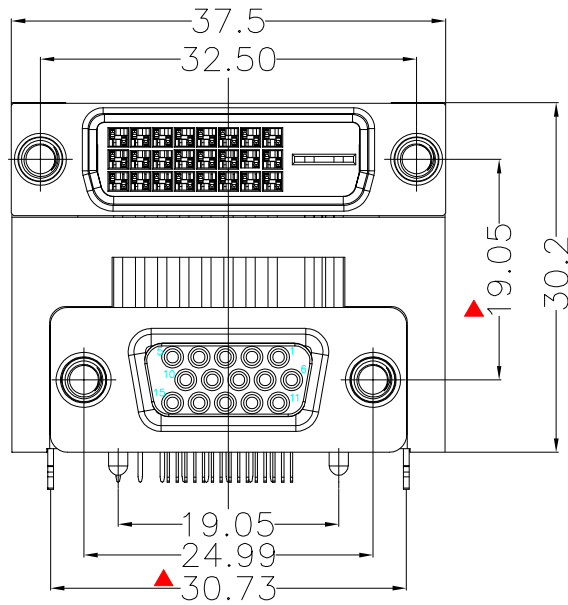


REV.	ECN NO.	MODIFY MATTER	DATE	APPROVED
A		RELEASE TO PRODUCTION		



MATERIALS:

- 1>.DVI HOUSING: PBT+30%G.F.(UL94V-0) COLOR:WHITE;  
VGA HOUSING: PBT+30%G.F.(UL94V-0) COLOR:BLUE;
- 2>.CONTACT: COPPER ALLOY,  
PLATING: GOLD FLASH ON CONTACT AREA,TIN PLATED  
ON TAIL 60u"OVER NICKEL PLATED 30u"
- 3>.BOARLOCK: SPCC,T=0.50mm;  
PLATING: TIN PLATED OVER NICKEL;
- 4>.SHELL: SPCC,T=0.35mm, NICKEL PLATED OVERALL;
- 5>.RIVET: COPPER ALLOY; PLATING: NICKEL PLATED OVERALL;

SPECIFICATION:

- 1>.CURRENT RATING: 1.5 A MAX;
- 2>.INSULATION RESISTANCE: 1000M $\Omega$  MIN AT 500V DC;
- 3>.DIELECTRIC WITHSATANDING VOLTAGE: 500V AC R.M.S  
FOR 1 MINUTE;
- 4>.CONTACT RESISTANCE: 30m $\Omega$  MAX;
- 5>.OPERATING TEMPERATURE: -40°C~+105°C;

EAST-V26SCA1A1AF

下层: \_\_\_\_\_  
V2:DVI-D 24+1P  
上层: \_\_\_\_\_  
6S:VGA 15P母头  
中心高: \_\_\_\_\_  
C:19.05

塑胶颜色:

- 1: 黑色
- C: 上层白色, 下层黑色
- F: 上层白色, 下层蓝色
- D: 上层黑色, 下层黑色
- G: 上层黑色, 下层蓝色

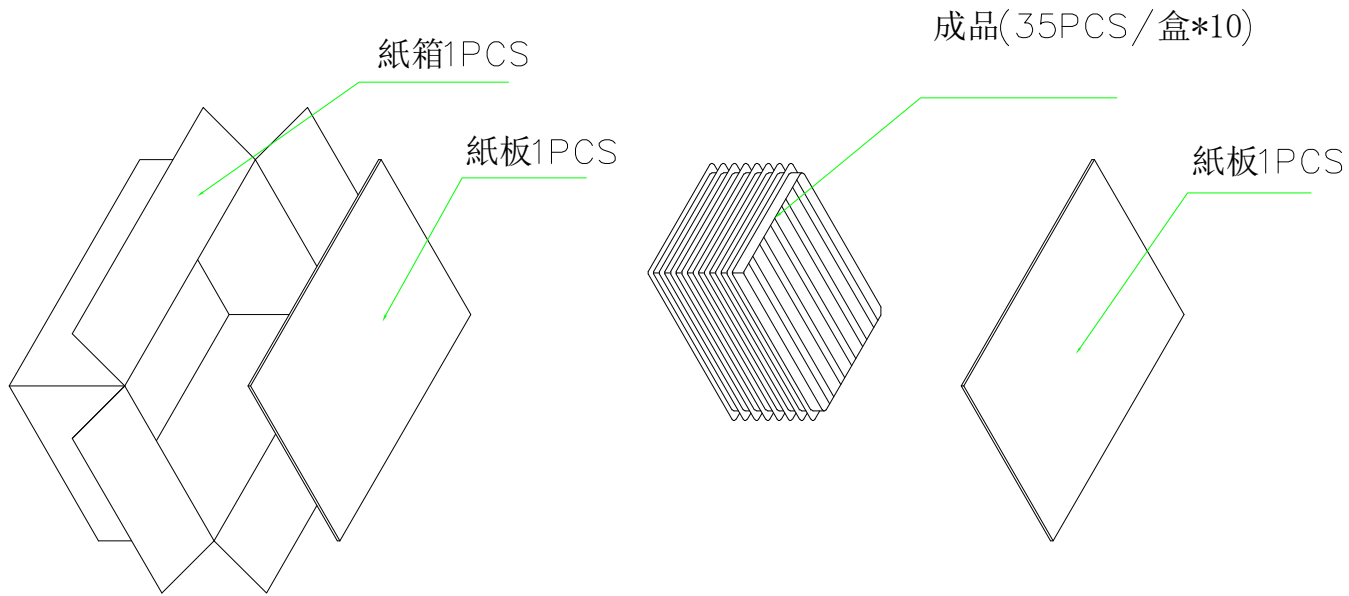
螺丝:

- 1: 无螺丝
- A: 锁螺丝4.8\*11.8
- B: 附螺丝4.8\*11.8
- E: 锁螺丝5.8\*11.8
- F: 附螺丝5.8\*11.8

TOLERANCES UNLESS OTHERWISE SPECIFIED: X. --- X.X $\pm$ 0.38 X.XX $\pm$ 0.25 X.XXX $\pm$ 0.10 Angle $\pm$ 1°		COSTOMER COPY		深圳市东方御业科技有限公司 WWW.DFYCONN.COM TEL:0755-27155560	
DRAWN: CHENLEI		2017/09/10		TITL: DVI 24+1黑色+VGA1.5间距蓝色 上8下7 铆合 附4.8螺丝 RoHS (RoHS)	
CHECKED: CHENLEI		2017/09/10		PART NO: EAST-V26SCA1A1AF	
APPROVED: QINKAIXING		2017/09/10		UNIT: mm	SCALE: N/A
THESE DRAWING AND SPECIFICATION ARE THE PROPERTY OF Shenzhen Dongfangyue ELECTRONIC CO., LTD. SHALL NOT BE REPRODUCED.				SHEET: 1:1	REV.

REV.	ECN NO.	MODIFY MATTER	DATE	APPROVED
A		RELEASE TO PRODUCTION	2018/01/20	Mike

# 包裝圖



加厚紙箱: 45\*31\*22.5CM

EAST-V26SCA2A1AF	X.XX	X.XX	35*10=350
料 號	N.W: (KG)	G.W: (KG)	QT'Y(PCS)

TOLERANCES UNLESS OTHERWISE SPECIFIED: X. --- X.X ± 0.38 X.XX ± 0.25 X.XXX ± 0.20 Angle ± 3°	CUSTOMER COPY		深圳市东方御业科技有限公司 WWW.DFYCONN.COM TEL: 0755-27155560		
	DRAWN: Qinx	2018/01/20	TITL: D-SUB双层系列包装图 (RoHS)		
	CHECKED: Chenl	2018/01/20	PART NO:		
THESE DRAWING AND SPECIFICATION ARE THE PROPERTY OF ShenzhenDongfangyuye ELECTRONIC CO., LTD., SHALL NOT BE REPRODUCED.	APPROVED: Chenl	2018/01/20	UNIT: mm	SCALE: N/A	SHEEL: 1/1
		2018/01/20			REV: A

www.dfyconn.com