

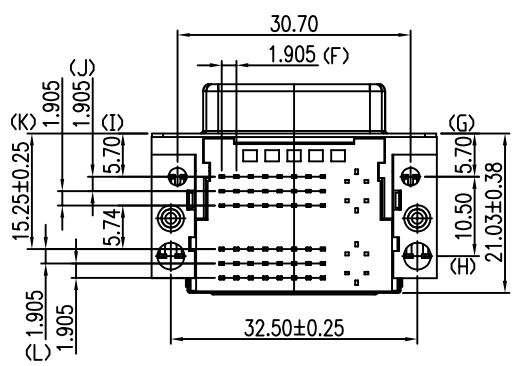
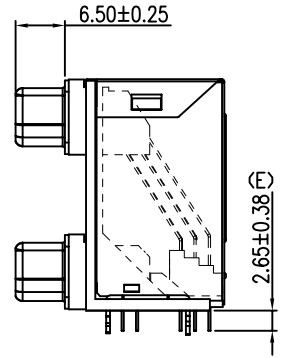
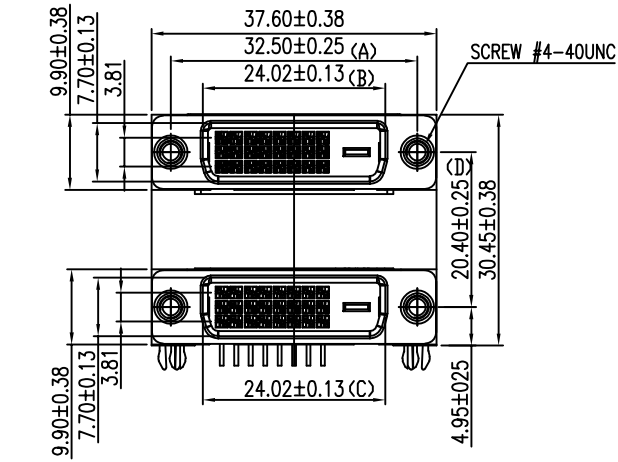
REV.	ECN NO.	MODIFY MATTER	DATE	APPROVED
A		RELEASE TO PRODUCTION		

NOTES

- MATERIAL:**
 Housing(UPPER):PBT, UL 94V-0, Color:Ivory.
 Housing(LOWER):PBT, UL 94V-0, Color:Ivory.
 Connecting Pedestal:LCP, UL 94V-0, Color:Black.
 Terminal:Copper Alloy.
 Shell:SPCC.
 Shield:Stainless Steel.
 Boardlock:Copper Alloy.
 Bracket:Zinc Alloy.
- FINISH:**
 Terminal:Gold Plated over Nickel at Contact Area.
 Tin Plated over Nickel at Solder Ared.
 Shell:Nickel Plated.
 Boardlock:Tin Plated.
 Bracket:Nickel Plated.
- This Product is LEAD-FREE & RoHS Compliance Product.

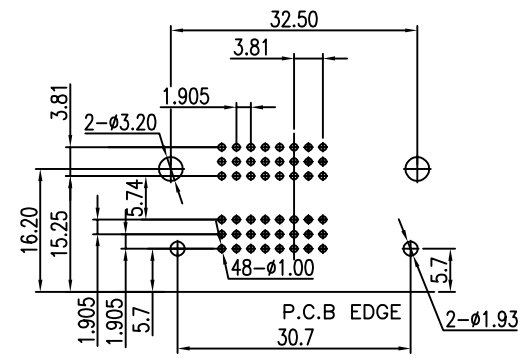
SPECIFICATIONS

- DVI
 - Voltage: 40 VAC(RMS) Max.
 - Current Rating: 1.5 Ampere per Contact
 - Contact Resistance(UPPER): 30 Milliohms Max.
Contact Resistance(LOWER): 20 Milliohms Max.
 - Insulation Resistance: 1000 Megohms Min.
 - Dielectric Withstanding Voltage: 500V DC(RMS)
 - Total Mating Force: 4.5 Kgf Max.
 - Total Unmating Force: 1.0 Kgf Min.
 - Operating Temperature: -55°C to +85°C



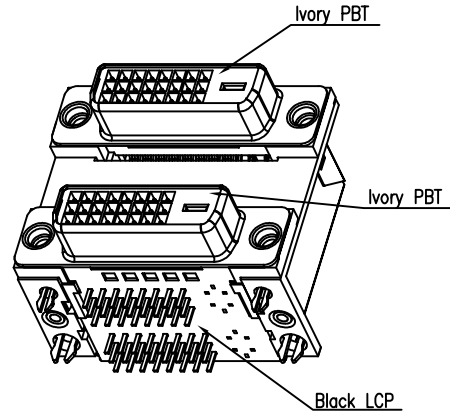
EAST-DVIV2V2CAX2R

- 上层: V2:DVI-D 24+1P
 - 下层: V2:DVI-D 24+1P
 - 中心高: C:20.40mm
 - 螺丝: 1:无螺丝
 - A:锁螺丝4.8*11.8
 - B:附螺丝4.8*11.8
 - E:锁螺丝5.8*11.8
 - F:附螺丝5.8*11.8
- 环保要求: R:ROHS
 - 塑胶材质: 1:PBT, 2:LCP, 4:上层PBT, 下层LCP
 - 塑胶颜色: 1:黑色, 4:白色, C:上层黑色, 下层白色, F:上层白色, 下层黑色



RECOMMENDED P.C.B. LAYOUT

INSPECTION DIMENSION:(A)~(L)



TOLERANCES UNLESS OTHERWISE SPECIFIED: X. --- X.X ± 0.38 X.XX ± 0.25 X.XXX ± 0.10 Angle ±1°	COSTOMER COPY	深圳市东方御业科技有限公司 www.dfyyconn.com TEL:0755-27155560			
	DRAWN: CHENLEI	2017/09/10	TITL: DVI-D / DVI-D FEMALE RIGHT ANGLE (RoHS)		
THESE DRAWING AND SPECIFICATION ARE THE PROPERTY OF Shenzhen Dongfangyue ELECTRONIC CO., LTD.. SHALL NOT BE REPRODUCED.	CHECKED: CHENLEI	2017/09/10	PART NO: EAST-DVIV2V2CAX2R		
	APPROVED: QINKAIXING	2017/09/10	UNIT: mm	SCALE: N/A	SHEEL: 1:1