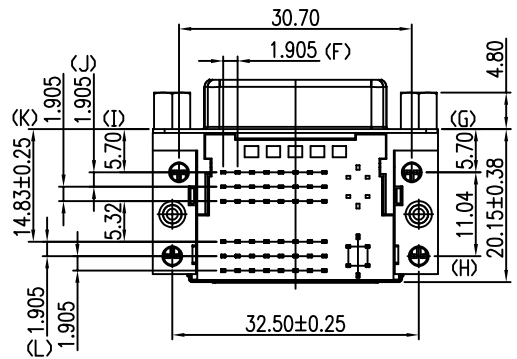
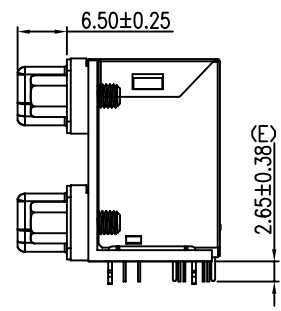
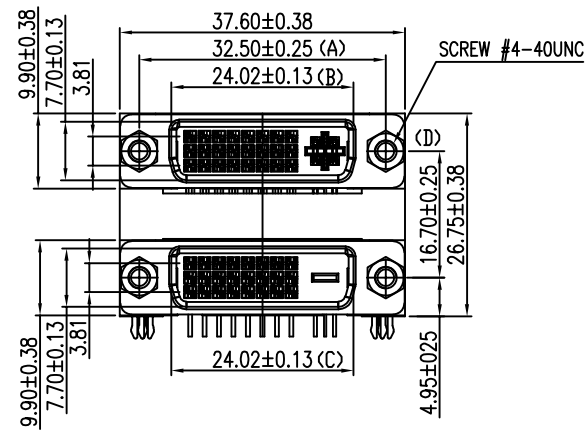


REV.	ECN NO.	MODIFY MATTER	DATE	APPROVED
A		RELEASE TO PRODUCTION		

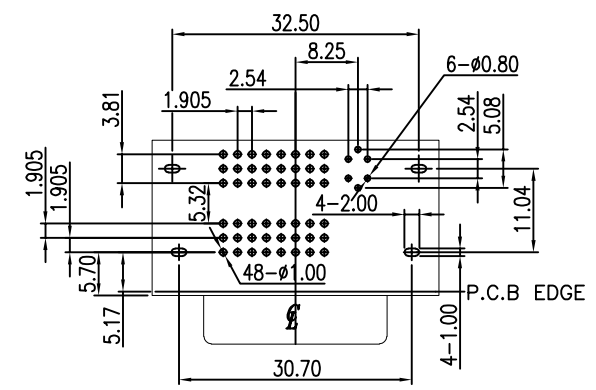
- MATERIAL:**
  - Housing(UPPER):LCP, UL 94V-0, Color:Ivory.
  - Housing(UPPER):LCP, UL 94V-0, Color:Ivory.
  - Terminal:Copper Alloy.
  - Shell:SPCC.
  - Shield:Stainless Steel.
  - Boardlock:Copper Alloy.
  - Bracket:Zinc Alloy.
  - Screw:Copper Alloy.
- FINISH:**
  - Terminal:Gold Plated over Nickel at Contact Area.
  - Tin Plated over Nickel at Solder Ared.
  - Shell:Nickel Plated.
  - Boardlock:Tin Plated.
  - Bracket:Nickel Plated.
  - Screw:Nickel Plated.
- This Product is LEAD-FREE & RoHS Compliance Product.

- DVI**
  - 1.1 Voltage: 40 VAC(RMS) Max.
  - 1.2 Current Rating: 1.5 Ampere per Contact
  - 1.3 Contact Resistance(UPPER): 30 Milliohms Max.
  - 1.3 Contact Resistance(LOWER): 20 Milliohms Max.
  - 1.4 Insulation Resistance: 1000 Megohms Min.
  - 1.5 Dielectric Withstanding Voltage: 500V DC(RMS)
  - 1.6 Total Mating Force: 4.5 Kgf Max.
  - 1.7 Total Unmating Force: 1.0 Kgf Min.
  - 1.8 Operating Temperature: -55°C to +85°C

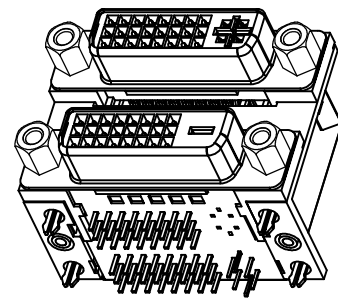


**EAST-DVIV4V2DAX2R**

- 上层: V4:DVI-I 24+5P
- 下层: V4:DVI-I 24+5P
- 中心高: D:16.70mm
- 螺丝: 1:无螺丝; A:锁螺丝4.8\*11.8; B:附螺丝4.8\*11.8; E:锁螺丝5.8\*11.8; F:附螺丝5.8\*11.8
- 环保要求: R:ROHS
- 塑胶材质: 1:PBT; 2:LCP; 4:上层PBT, 下层LCP
- 塑胶颜色: 1:黑色; 4:白色; C:上层黑色, 下层白色; F:上层白色, 下层黑色



**RECOMMENDED P.C.B. LAYOUT**

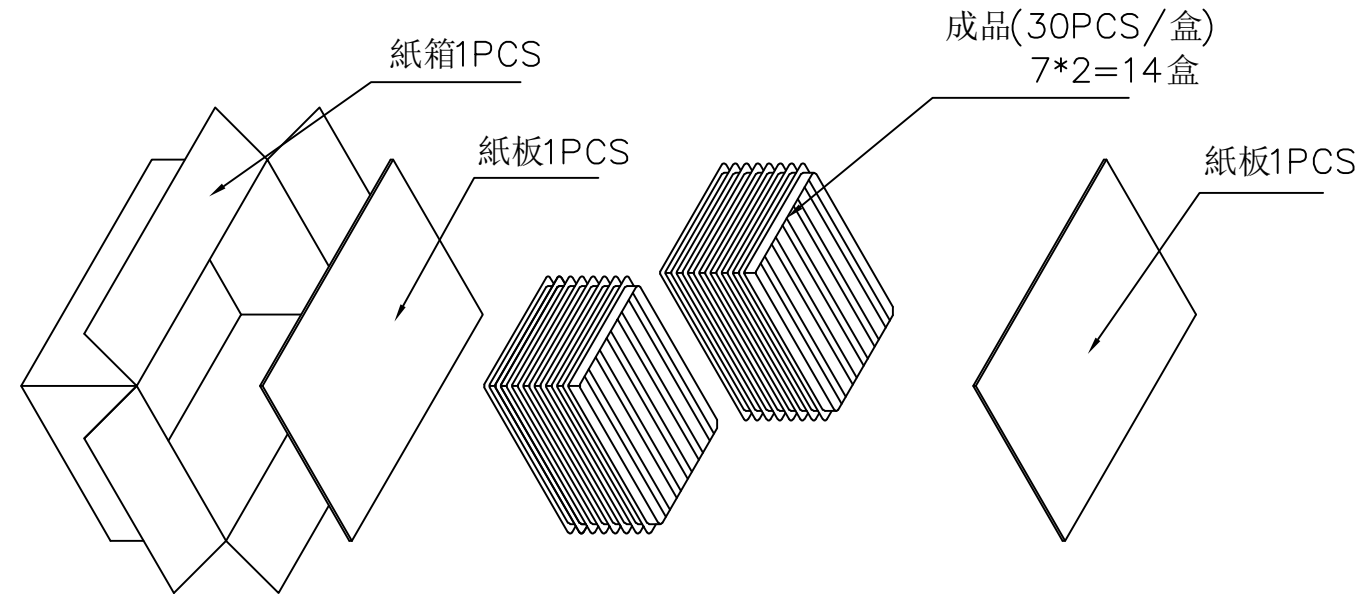


INSPECTION DIMENSION:(A)~(I)

TOLERANCES UNLESS OTHERWISE SPECIFIED: X. --- X.X ± 0.38 X.XX ± 0.25 X.XXX ± 0.10 Angle ±1°		COSTOMER COPY		深圳市东方御业科技有限公司 www.dfyyconn.com TEL:0755-27155560	
DRAWN: CHENLEI		2017/09/10		TITL: DVI-I / DVI-D FEMALE RIGHT ANGLE (RoHS)	
CHECKED: CHENLEI		2017/09/10		PART NO: EAST-DVIV4V2DAX2R	
APPROVED: QINKAIXING		2017/09/10		DRAWING NO:	
THESE DRAWING AND SPECIFICATION ARE THE PROPERTY OF Shenzhen Dongfangyue ELECTRONIC CO., LTD., SHALL NOT BE REPRODUCED.		UNIT: mm		SCALE: N/A	
				SHEEL: 1:1	
				REV:	

REV.	ECN NO.	MODIFY MATTER	DATE	APPROVED
A		RELEASE TO PRODUCTION	2018/01/20	Mike

# 包装图



加厚纸箱: 45\*31\*22.5CM

<b>EAST-DVIV4V2DAX2R</b>	X.XX	X.XX	30*14=420
料 號	N.W: (KG)	G.W: (KG)	QT'Y(PCS)

TOLERANCES UNLESS OTHERWISE SPECIFIED: X --- X.X ± 0.38 X.XX ± 0.25 X.XXX ± 0.20 Angle ± 3°	CUSTOMER COPY		深圳市东方御业科技有限公司 WWW.DFYCONN.COM TEL:0755-27155560		
	DRAWN: Qinx	2018/01/20	TITL: D-SUB 双层系列包装图		
THESE DRAWING AND SPECIFICATION ARE THE PROPERTY OF Shenzhen dongfangyue ELECTRONIC CO., LTD., SHALL NOT BE REPRODUCED.	CHECKED: Chenl	2018/01/20	PART NO: EAST-DVIV4V2DAX2R		
	APPROVED: Chenl	2018/01/20	UNIT: mm	SCALE: N/A	SHEEL: 1/1

www.dfyconn.com