

REV.	ECN NO.	MODIFY	MATTER	DATE	APPROVED
A		RELEASE TO PRODUCTION		2017/09/10	Mike

### SPECIFICATIONS

#### ELECTRICAL CHARACTERISTICS:

Contact Current Rating: 3 Amperes.  
 Dielectric Withstanding Voltage: AC 1000/60sec.r.m.s.  
 Insulation Resistance: 5000 Medohms Minimum.at DC 500V.  
 Contact Resistance: 25 Milliohms Maximum.  
 Operating Temperature: -55°C to +105°C.

#### MECHANICAL CHARACTERISTICS:

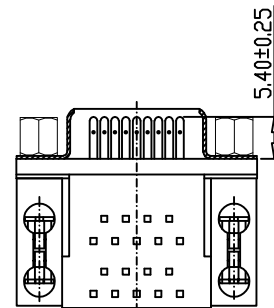
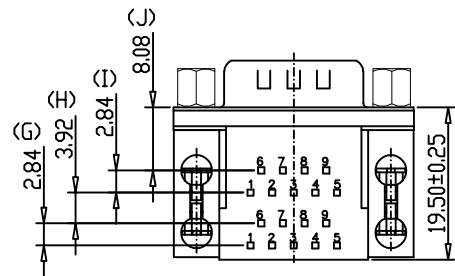
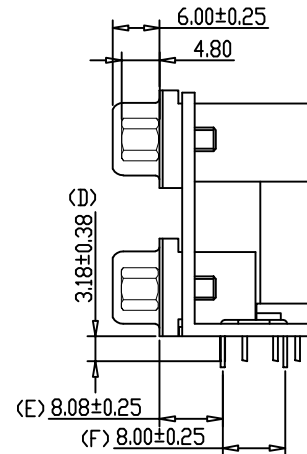
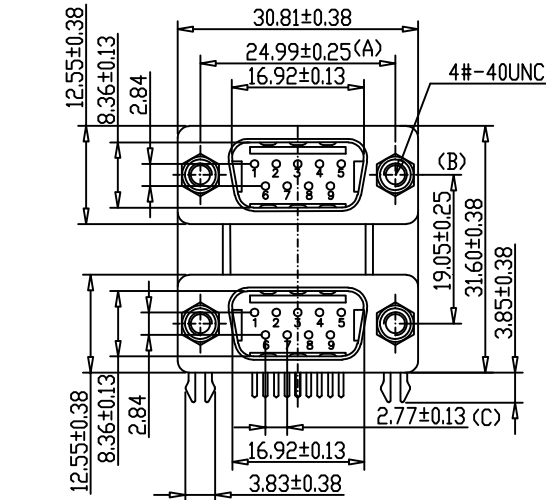
Contact Insertion Force: 341 g.Maximum.  
 Contact Separation Force: 21 g.Minimum.

#### MATERIALS:

Contacts: Brass.  
 Insulator: NTLON 9T UL 94V-0 Rated.  
 Shell: Cold Roller Steel.

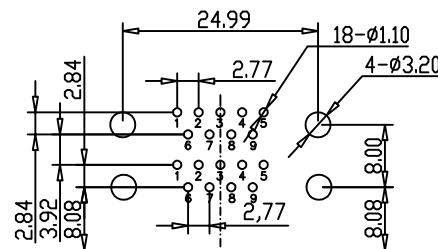
#### FINISHES:

Contact: Gold Flash.  
 Shell: Nickel Plated.



### EAST-B112AP2A1XX

- 中心高  
 A: 15.88mm  
 B: 19.05mm
- 塑胶颜色:  
 1: 黑色  
 2: 绿色  
 C: 上绿下黑  
 F: 上黑下绿
- 螺丝:  
 1: 无螺丝  
 A: 锁螺丝 4.8\*11.8  
 B: 附螺丝 4.8\*11.8  
 E: 锁螺丝 5.8\*11.8  
 F: 附螺丝 5.8\*11.8



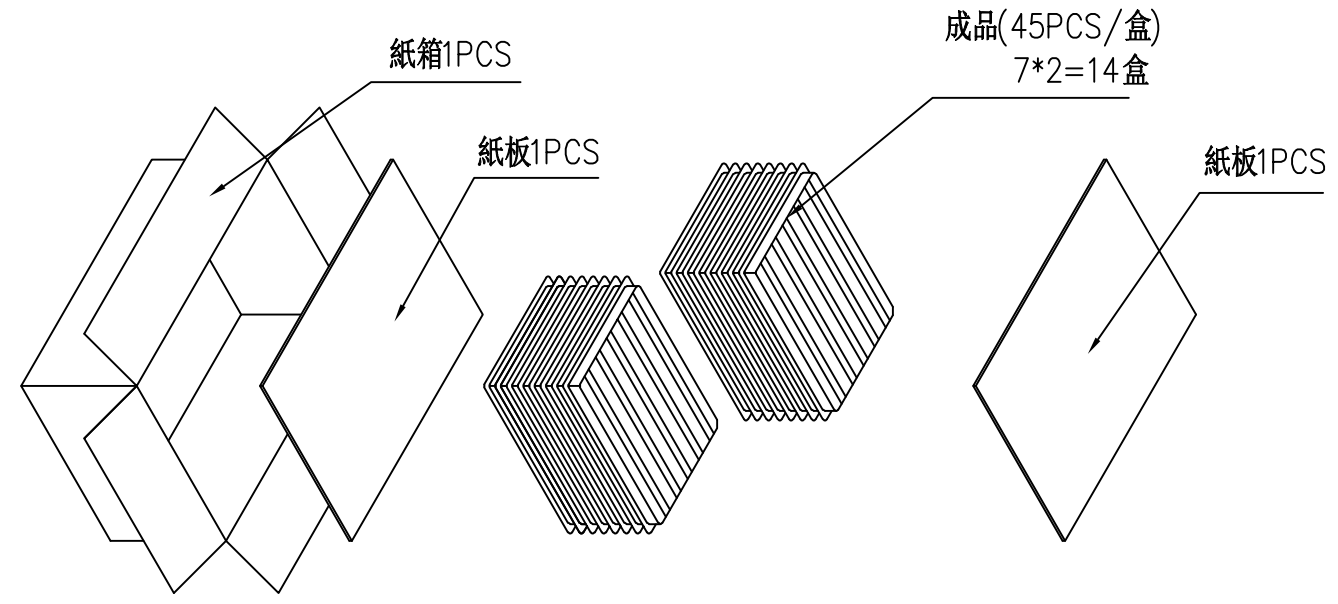
RECOMMENDED P.C.B LAYOUT

INSPECTION DIMENSION: (A)~(J)

TOLERANCES UNLESS OTHERWISE SPECIFIED: X. --- X.X ± 0.38 X.XX ± 0.25 X.XXX ± 0.20 Angle ± 3°	COSTOMER COPY	深圳市东方御业科技有限公司 WWW.DFYCONN.COM TEL:0755-27155560	
	DRAWN: Qinx	2017/09/10	TITL: D-SUB CONNECTOR 9 MALE/9 MALE DUAL PORT (RoHS)
THESE DRAWING AND SPECIFICATION ARE THE PROPERTY OF ShenzhenDongfangyuye ELECTRONIC CO., LTD.. SHALL NOT BE REPRODUCED.	CHECKED: Chenl	2017/09/10	PART NO: EAST-B112AP2A1XX
	APPROVED: Chenl	2017/09/10	UNIT: mm
		SCALE: N/A	SHEEL: 1/1
			REV: A

REV.	ECN NO.	MODIFY MATTER	DATE	APPROVED
A		RELEASE TO PRODUCTION	2018/01/20	Mike

# 包裝圖



加厚紙箱: 45\*31\*22.5CM

	X.XX	X.XX	45*14=630
料 號	N.W:(KG)	G.W:(KG)	QT'Y(PCS)

TOLERANCES UNLESS OTHERWISE SPECIFIED: X. --- X.X ± 0.38 X.XX ± 0.25 X.XXX ± 0.20 Angle ± 3°	CUSTOMER COPY		深圳市东方御业科技有限公司 WWW.DFYCONN.COM TEL:0755-27155560		
	DRAWN: Qinkx	2018/01/20	TITL: D-SUB CONNECTOR 9 MALE/9 MALE DUAL PORT (RoHS)		
THESE DRAWING AND SPECIFICATION ARE THE PROPERTY OF ShenzhenDongfangyue ELECTRONIC CO., LTD., SHALL NOT BE REPRODUCED.	CHECKED: Chenl	2018/01/20	PART NO:		
	APPROVED: Chenl	2018/01/20	UNIT: mm	SCALE: N/A	SHEEL: 1/1
				REV. A	

www.dfyconn.com