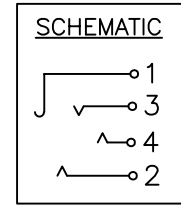
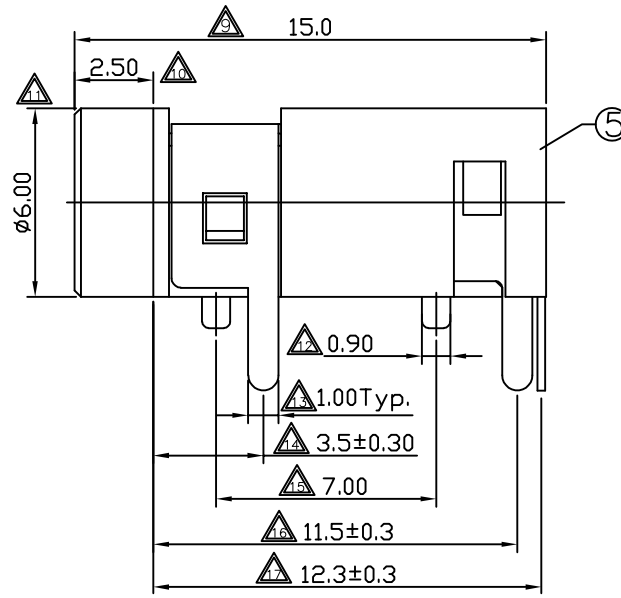
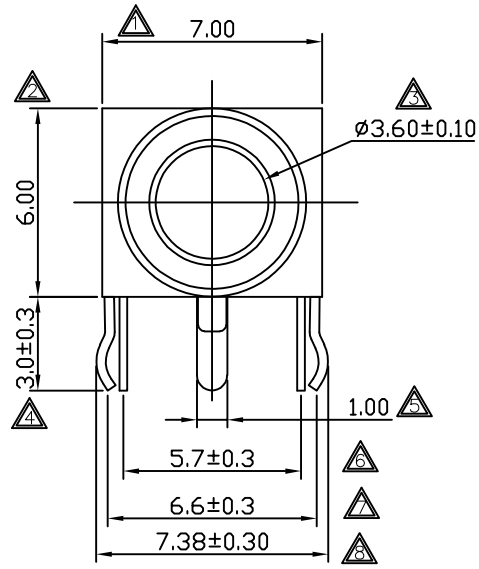
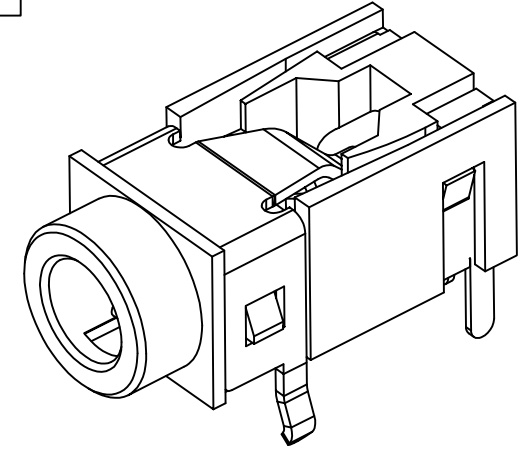


REV.	ECN NO.	MODIFY MATTER	DATE	APPROVED
A		RELEASE TO PRODUCTION		

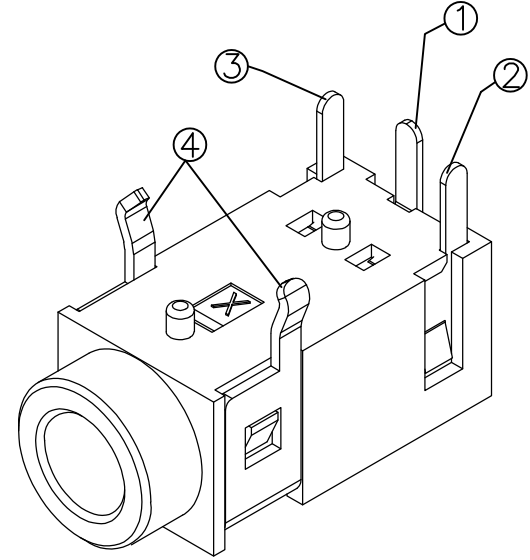


- SPECIFICATION**
- Rating : DC 30V 0.5A;
  - Contact resistance:  $\leq 0.03\Omega$ ;
  - Insulation resistance:  $\geq 100M\Omega$  (DC250V);
  - Withstand voltage: 500V AC ;
  - Insertion and extraction force: 3-30N;
  - life test: 5,000 cycles.
  - Marked are important dimensions.

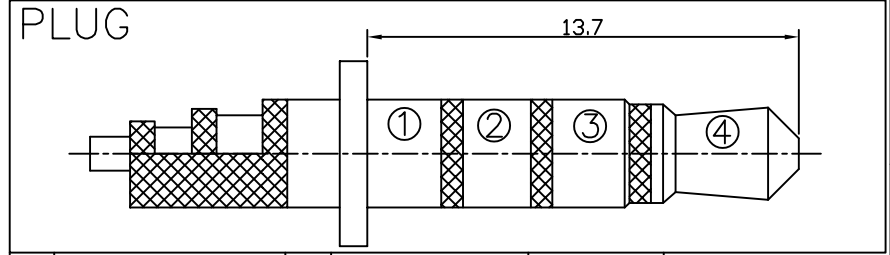
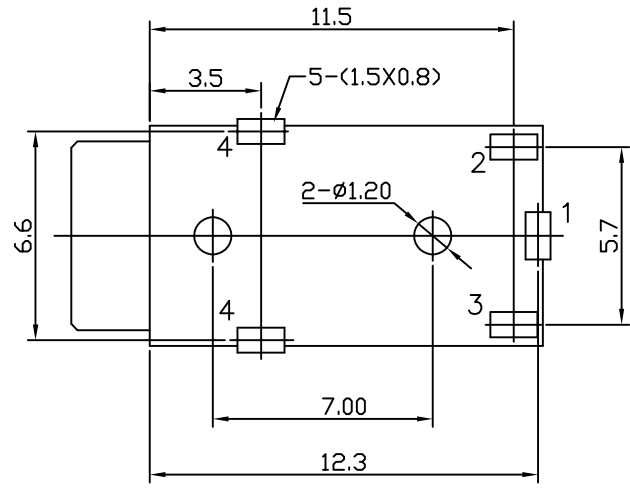


EAST-D3022-X

- B:BLACK
- P:PINK
- G:GREEN



**P.C.B LAYOUT  
TOP VIEW**



NO.	DESCRIPTION	QTY	MATERIAL	COLOR	REMARK
5	HOUSING	1	PBT		
4	4# CONTACT FOOT	1	PHOSPHOR BRONZE		Sn-Plating
3	3# CONTACT FOOT	1	BRASS		Sn-Plating
2	2# CONTACT FOOT	1	PHOSPHOR BRONZE		Sn-Plating
1	1# CONTACT FOOT	1	PHOSPHOR BRONZE		Sn-Plating

TOLERANCES UNLESS OTHERWISE SPECIFIED: X. — X.X ± 0.38 X.XX ± 0.25 X.XXX ± 0.10 Angle ± 1°		CUSTOMER COPY		深圳市东方御业科技有限公司 WWW.DFYCCNN.COM TEL:0755-27155560	
DRAWN: CHENLEI		2017/09/10		TITLE: PHONE JACK (RoHS)	
CHECKED: CHENLEI		2017/09/10		PART NO: EAST-D3022-X	
APPROVED: QINKAIXING		2017/09/10		DRAWING NO:	
UNIT: mm		SCALE: N/A		SHEET: 1:1	

THESE DRAWING AND SPECIFICATION ARE THE PROPERTY OF Shenzhen Dongfangyue ELECTRONIC CO., LTD. SHALL NOT BE REPRODUCED.