

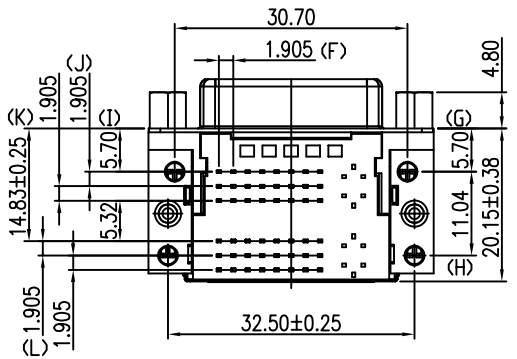
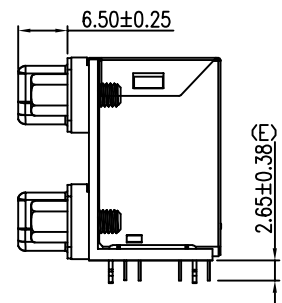
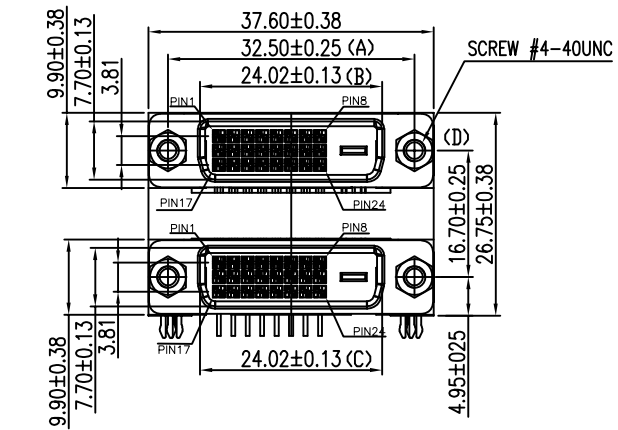
REV.	ECN NO.	MODIFY MATTER	DATE	APPROVED
A		RELEASE TO PRODUCTION		

NOTES

- MATERIAL:**
 Housing(UPPER):PBT, UL 94V-0, Color:ivory.
 Housing(LOWER):PBT, UL 94V-0, Color:ivory.
 Terminal:Copper Alloy.
 Shell:SPCC.
 Shield:Stainless Steel.
 Boardlock:Copper Alloy.
 Bracket:Zinc Alloy.
 Screw:Copper Alloy.
- FINISH:**
 Terminal:Gold Plated over Nickel at Contact Area.
 Tin Plated over Nickel at Solder Ared.
 Shell:Nickel Plated.
 Boardlock:Tin Plated.
 Bracket:Nickel Plated.
 Screw:Nickel Plated.
- This Product is LEAD-FREE & RoHS Compliance Product.

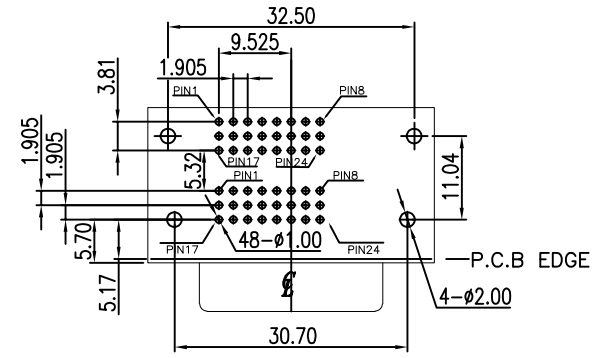
SPECIFICATIONS

- DVI
- 1.1 Voltage: 40 VAC(RMS) Max.
- 1.2 Current Rating: 1.5 Ampere per Contact
- 1.3 Contact Resistance(UPPER): 30 Milliohms Max.
 Contact Resistance(LOWER): 20 Milliohms Max.
- 1.4 Insulation Resistance: 1000 Megohms Min.
- 1.5 Dielectric Withstanding Voltage: 500V DC(RMS)
- 1.6 Total Mating Force: 4.5 Kgf Max.
- 1.7 Total Unmating Force: 1.0 Kgf Min.
- 1.8 Operating Temperature: -55°C to +85°C

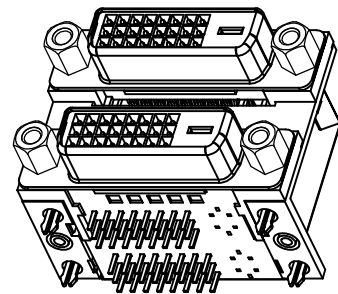


EAST-DVIV2V2DAXXR

- 上层: V2:DVI-D 24+1P
- 下层: V2:DVI-D 24+1P
- 中心高: D:16.70mm
- 螺丝: 1:无螺丝
A:锁螺丝4.8*11.8
B:附螺丝4.8*11.8
E:锁螺丝5.8*11.8
F:附螺丝5.8*11.8
- 环保要求: R:ROHS
- 塑胶材质: 1:PBT
2:LCP
- 4:上层PBT, 下层LCP
- 塑胶颜色: 1:黑色
4:白色
C:上层黑色, 下层白色
F:上层白色, 下层黑色



RECOMMENDED P.C.B. LAYOUT

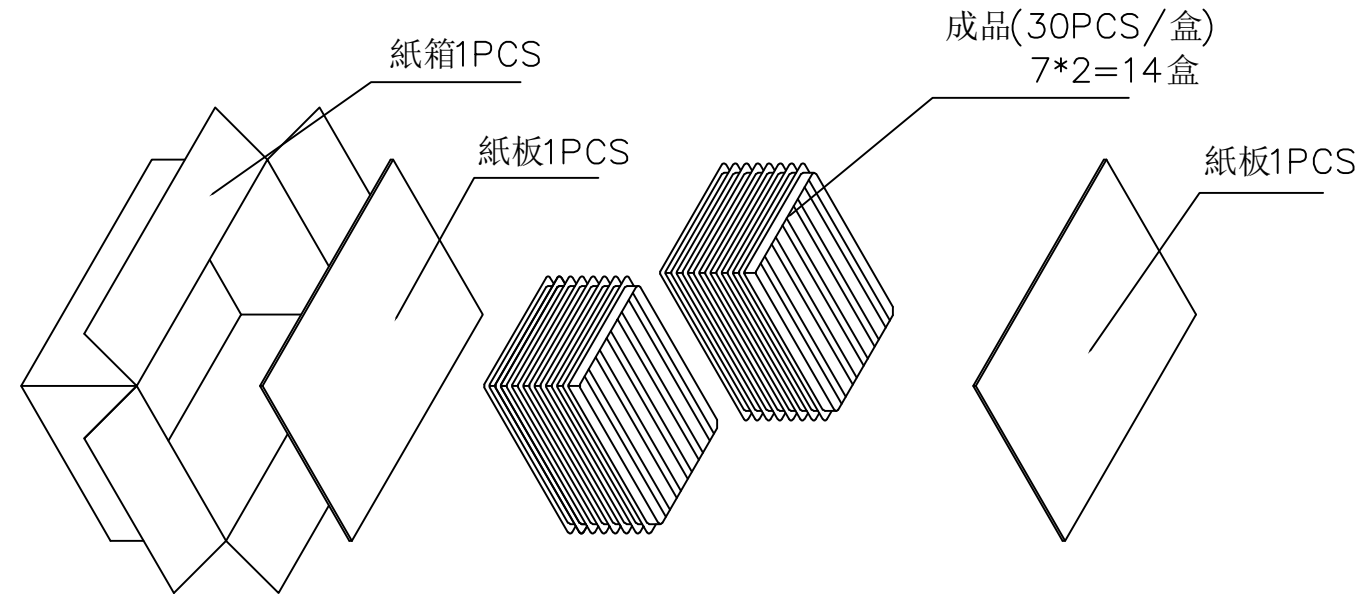


INSPECTION DIMENSION:(A)~(I)

TOLERANCES UNLESS OTHERWISE SPECIFIED: X. --- X.X ± 0.38 X.XX ± 0.25 X.XXX ± 0.10 Angle ±1°	COSTOMER COPY	深圳市东方御业科技有限公司 www.DFYCONN.COM TEL:0755-27155560			
	DRAWN: CHENLEI	2017/09/10	TITL: DVI-D / DVI-D FEMALE RIGHT ANGLE H16.70 (RoHS)		
THESE DRAWING AND SPECIFICATION ARE THE PROPERTY OF Shenzhen Dongfangyue ELECTRONIC CO., LTD. SHALL NOT BE REPRODUCED.	CHECKED: CHENLEI	2017/09/10	PART NO: EAST-DVIV2V2DAXXR		
	APPROVED: QINKAIXING	2017/09/10	UNIT: mm	SCALE: N/A	SHEEL: 1:1

REV.	ECN NO.	MODIFY MATTER	DATE	APPROVED
A		RELEASE TO PRODUCTION	2018/01/20	Mike

包裝圖



加厚紙箱: 45*31*22.5CM

		X.XX	X.XX	30*14=420
料	號	N.W: (KG)	G.W: (KG)	QT'Y(PCS)

TOLERANCES UNLESS OTHERWISE SPECIFIED: X. --- X.X ± 0.38 X.XX ± 0.25 X.XXX ± 0.20 Angle ± 3°	CUSTOMER COPY		深圳市东方御业科技有限公司 WWW.DFYCONN.COM TEL: 0755-27155560		
	DRAWN: Qinx	2018/01/20	TITL: DVI-D / DVI-I FEMALE RIGHT ANGLE H16.70	(RoHS)	
THESE DRAWING AND SPECIFICATION ARE THE PROPERTY OF ShenzhenDongfangyuye ELECTRONIC CO., LTD., SHALL NOT BE REPRODUCED.	CHECKED: Chenl	2018/01/20	PART NO:		
	APPROVED: Chenl	2018/01/20	UNIT: mm	SCALE: N/A	SHEEL: 1/1
				REV: A	

www.dfyconn.com