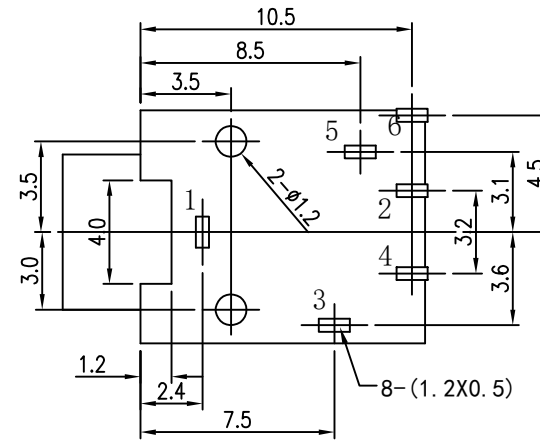
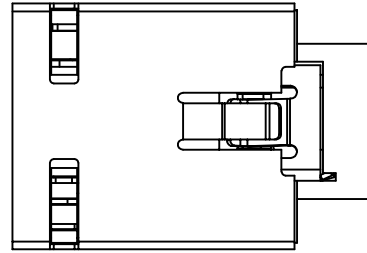
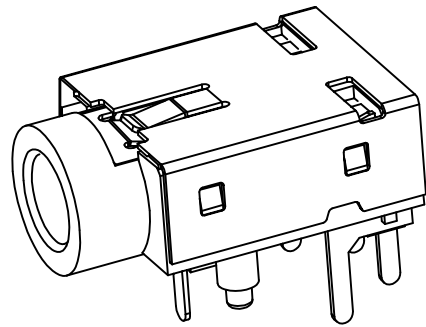
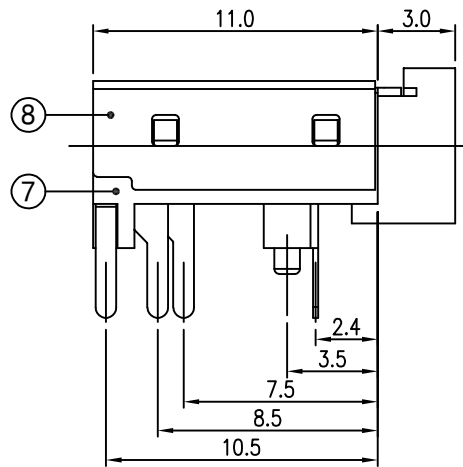
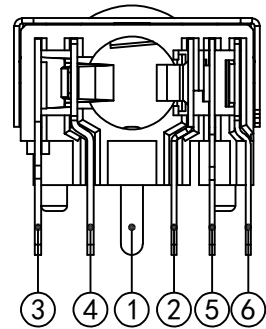
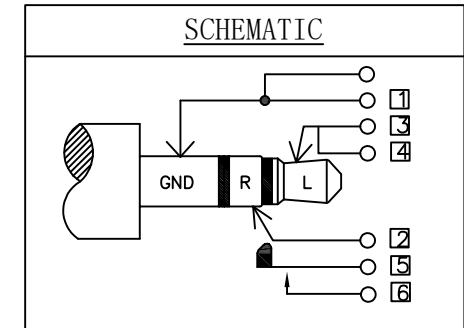


REV.	ECN NO.	MODIFY MATTER	DATE	APPROVED
A		RELEASE TO PRODUCTION		

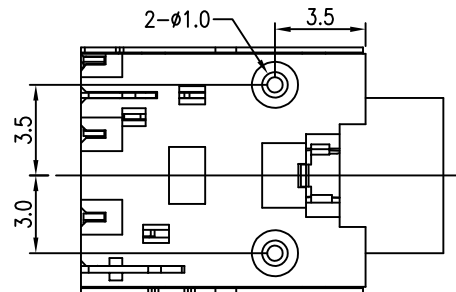
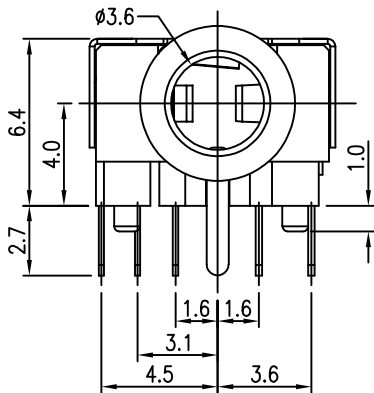


P. C. B LAYOUT  
TOP VIEW

- SPECIFICATION**
- Rating : DC 30V 0.5A;
  - Contact resistance:  $\leq 0.03 \Omega$ ;
  - Insulation resistance:  $\geq 100M \Omega$  (DC250V);
  - Withstand voltage: 500VAC ;
  - Insertion and extraction force: 3-30N;
  - life test: 5,000 cycles.



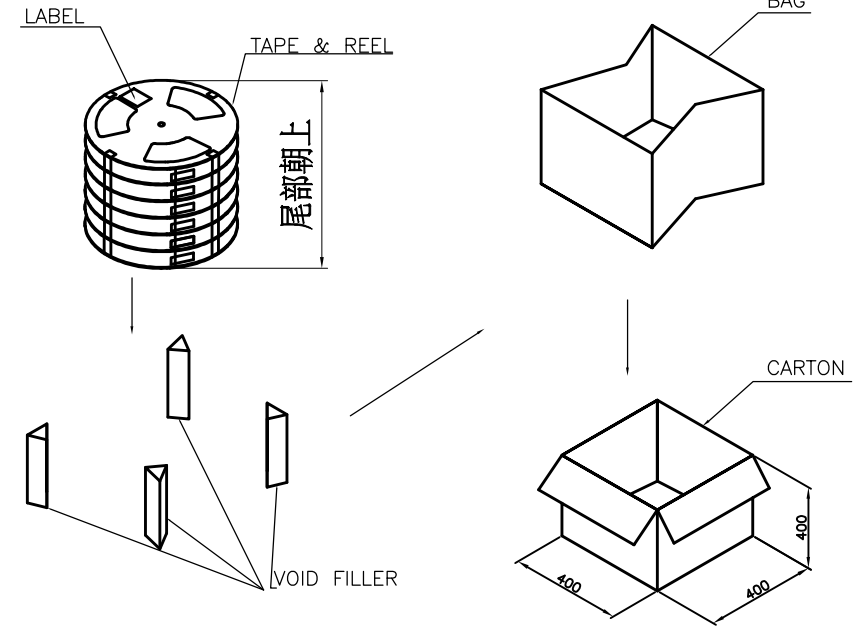
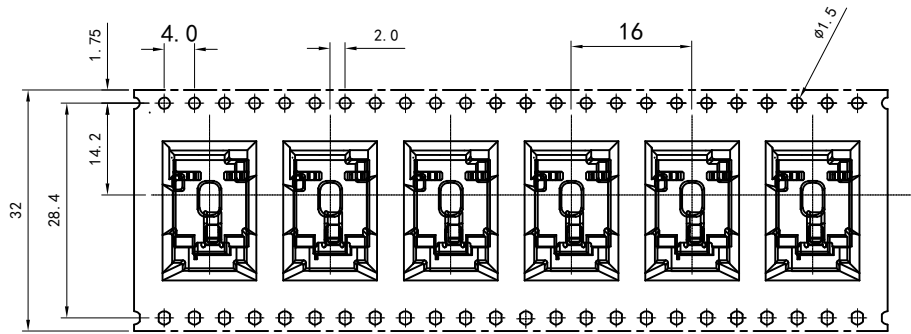
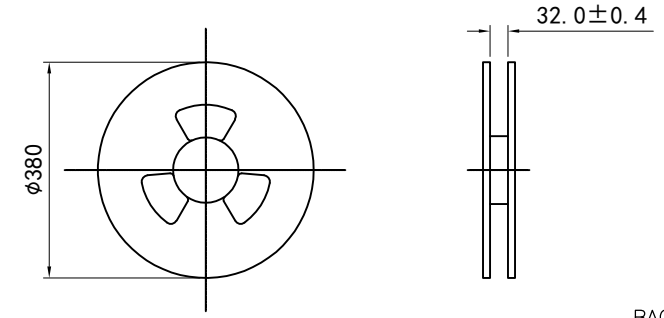
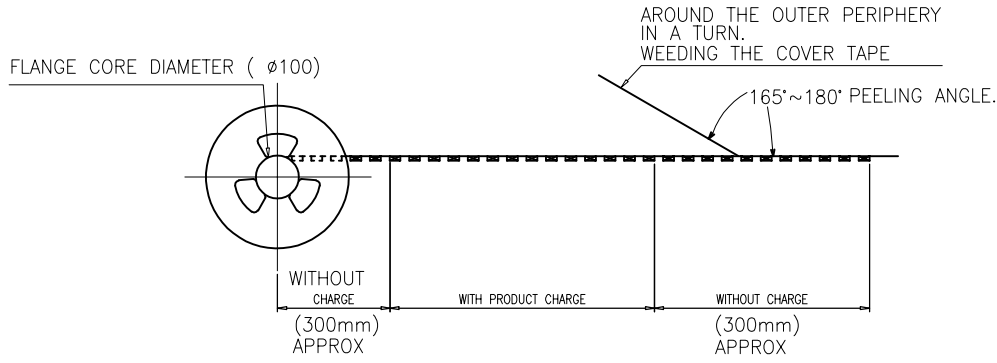
EAST-2327F-06DX-PPA  
 B:BLACK  
 P:PINK(#199C)  
 G:GREEN(#577C)



NO.	DESCRIPTION	QTY	MATERIAL	PLATING
8	SHELL	1	SUS 301	
7	HOUSING	1	PA9T	UL-94V0
6	CONTACT FOOT	1	PHOSPHOR BRONZE	Sn-Plating
5	SPRING PIECE	1	PHOSPHOR BRONZE	Sn-Plating
4	CURVE PIECE	1	PHOSPHOR BRONZE	Sn-Plating
3	SPRING PIECE	1	PHOSPHOR BRONZE	Sn-Plating
2	SPRING PIECE	1	PHOSPHOR BRONZE	Sn-Plating
1	CONTACT FOOT	1	PHOSPHOR BRONZE	Sn-Plating

TOLERANCES UNLESS OTHERWISE SPECIFIED: X. --- X. X ± 0.38 X. XX ± 0.25 X. XXX ± 0.10 Angle ± 1°		COSTOMER COPY		深圳市东方御业科技有限公司 WWW.DFYCONN.COM TEL:0755-27155560	
DRAWN: CHENLEI		2017/09/10		TITIAL: AUDIO JACK中心高4.0H外壳带洞 (RoHS)	
CHECKED: CHENLEI		2017/09/10		PART NO: EAST-2327F-06DX-PPA	
APPROVED: QINKAIXING		2017/09/10		UNIT: mm	SCALE: N/A
THESE DRAWING AND SPECIFICATION ARE THE PROPERTY OF Shenzhen Dongfangyue ELECTRONIC CO., LTD. SHALL NOT BE REPRODUCED.				SHEET: 1:1	REV.

REV.	ECN NO.	MODIFY MATTER	DATE	APPROVED
A		RELEASE TO PRODUCTION		



- NOTES :
- PACKAGING MATERIAL IN PLASTIC, RUBBER, INK, PIGMENT AND PAINT MUST MEET CONTROLLED SUBSTANCES SPEC PER 230-702.
  - \* CADMIUM AND CADMIUM COMPOUNDS NOT TO EXCEED: 5 PPM.
  - \* LEAD, CADMIUM, CHROM VI AND MERCURY NOT TO EXCEED: 100 PPM (COMBINED).
  - \* CARRIER TAPES, COVER TAPES, REELS AND TAPED COMPONENTS MUST MEET THE REQUIREMENTS DEFINED PER EIA-481-B.
- MATERIAL :  
COVER TAPE : PET  
CARRIER TAPE : PS  
REEL : PS  
SHIPPING BOX: CORRUGATED FIBER
  - DIMENSION :  
REEL : SEE DRAWING  
BOX : SEE DRAWING
  - QUANTITY : SEE TABLE
  - WEIGHT : SEE TABLE
  - PEELING RESISTANCE : 10gf~100gf (for 8mm)
  - PEELING SPEED : 300mm/MINUTES

QUANTITY:  
500 PCS/REEL  
10 REELS/INNER BOX: 5000PCS

TOLERANCES UNLESS OTHERWISE SPECIFIED: X. --- X. X ± 0.38 X. XX ± 0.25 X. XXX ± 0.10 Angle ± 1°	CUSTOMER COPY	深圳市东方御业科技有限公司 WWW.DFYCONN.COM TEL:0755-27155560		
	DRAWN: CHENLEI	2017/09/10	TITLE: AUDIO JACK (RoHS)	
THESE DRAWING AND SPECIFICATION ARE THE PROPERTY OF Shenzhen Dongfangyue ELECTRONIC CO., LTD. SHALL NOT BE REPRODUCED.	CHECKED: CHENLEI	2017/09/10	PART NO: EAST-2327	
	APPROVED: QINKAIXING	2017/09/10	UNIT: mm	SCALE: N/A SHEET: 1:1 REV.