

***Material:**

- Housing: LCP+30% G/F, UL94V-0,COLOR: BLACK.;
- Terminal: Phosphor Bronze,T=0.25mm;
Plating: Gold in contact area;
80u" Min Tin in solder area;
30u" MIN.NICKEL UNDERPLATING OVER ALL.
- Latch:Brass,T=0.30mm;
80u" Min Tin on solder area;
30u" MIN.NICKEL UNDERPLATING OVER ALL.

***Electrical Characteristics:**

- Contact Resistance: 30mΩ Max.
- Insulation Resistance: 1000MΩ Min.
- Dielectric Strength: 500V DC/1MIN.
- Contact Current rating: 1.1 A Per Pin Min.

***Mechanical Characteristics:**

- Insertion Force: 1.15N per contact pair Max.
- Extraction Force: 0.15N per contact pair Min.
- Durability rating: 50 Cycles

***Operating temperature: -25°C ~ +85°C**

***ORDER INFORMATION*:**

EAST-164 02 X 50 XX X X

No. of Pins: 50
Plating: XX
Environment Protection: X
Packing: X
Color: X

A-Flash:Gold in contact area/
80u" Min Tin in solder area.
B-3u" Min.Gold in contact area/
80u" Min Tin in solder area.
C-5u" Min.Gold in contact area/
80u" Min Tin in solder area.
D-10u" Min.Gold in contact area/
80u" Min Tin in solder area.
E-15u" Min.Gold in contact area/
80u" Min Tin in solder area.
G-30u" Min.Gold in contact area/
80u" Min Tin in solder area.

R for RoHS
G for GP
H for Halogen-free

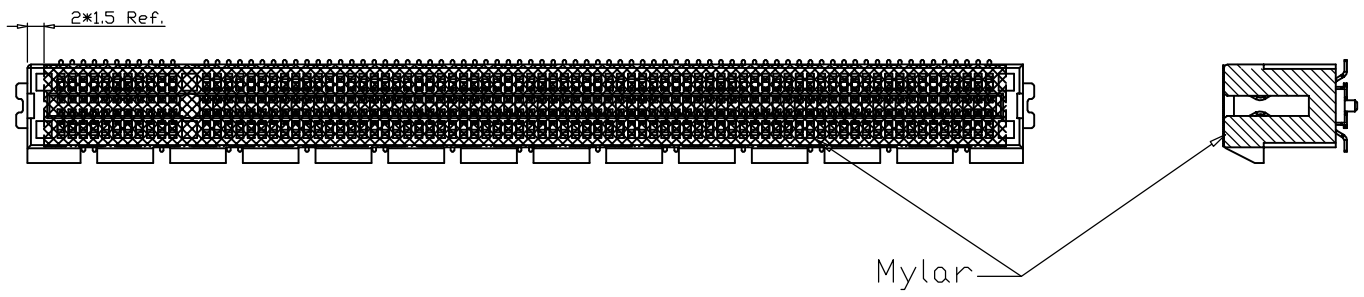
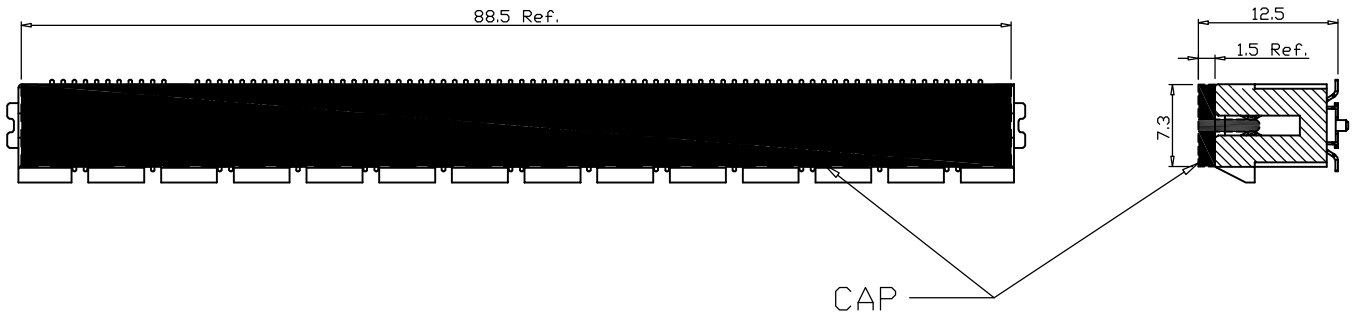
C-Tray

K1:Black.....

RECOMMENDED PCB LAYOUT (COMPONENT SIDE) TOLERANCE: ±0.05

TOLERANCE		深圳市东方御业科技有限公司 www.dfyyconn.com Tel: 0755-27155560	TITLE: PCIe Gen4.0(16GT/s) 164P SMT type 无肋传统型				
LINEAR	ANGLES		CUSTOMER COPY	PART NO.:	SEE TABLE		
X.±0.50	X°.±2.0°		DWG NO.:	EAST-16402-50			
.X±0.38	.X°.±1.0°			UNITS	SCALE	SHEET	REV
.XX±0.25	.XX°±	APPD:	DRWN: Rocky	MM	1:1	1 OF 3	A/0
.XXX±0.15	.XXX°±	CHKD:	DATE: 2021-5-24				

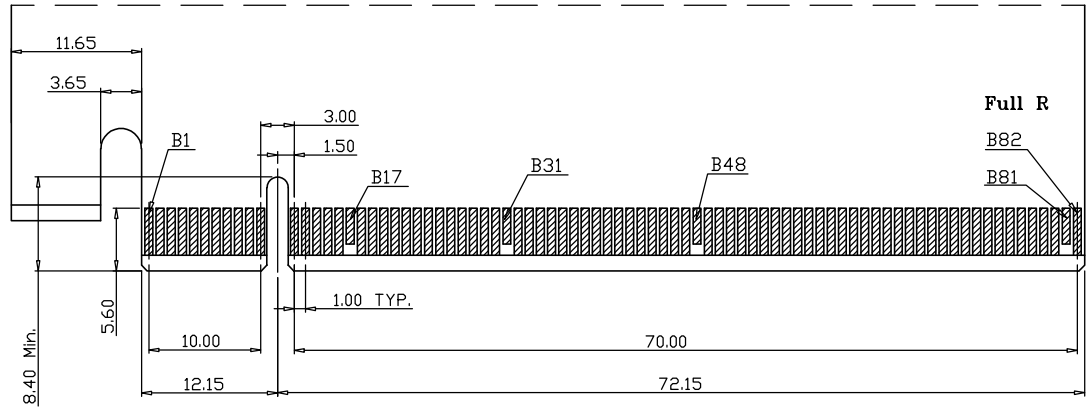
REV	LTR	DESCRIPTION	DATE	DWN
-----	-----	-------------	------	-----



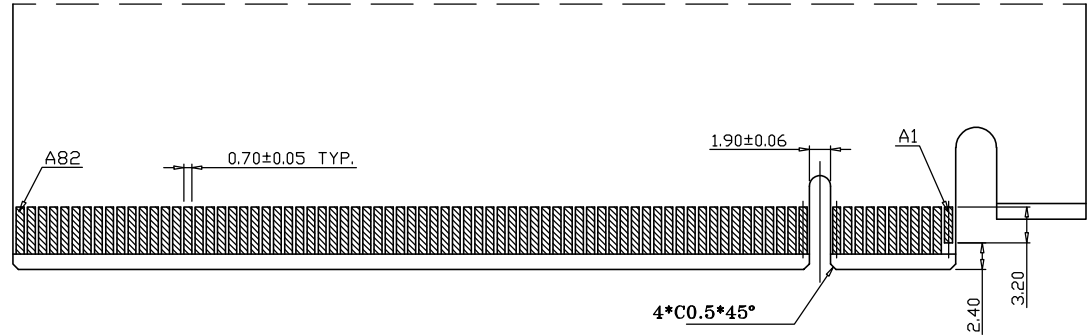
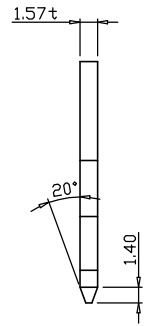
With MYLAR (Only for Reference)

TOLERANCE		深圳市东方御业科技有限公司		TITLE: PCIe Gen4.0(16GT/s) 164P SMT type 无肋传统型			
LINEAR	ANGLES	www.DFYCDNN.COM Tel: 0755-27155560		CUSTOMER COPY	PART NO.:	SEE TABLE	
X.±0.50	X°±2.0°				DWG NO.:	EAST-16402-50	
.X ±0.38	.X°±1.0°	APPD:	DRWN: Rocky	UNITS	SCALE	SHEET	REV
.XX ±0.25	.XX°±	CHKD:	DATE: 2021-5-24				
.XXX ±0.15	.XXX°±						

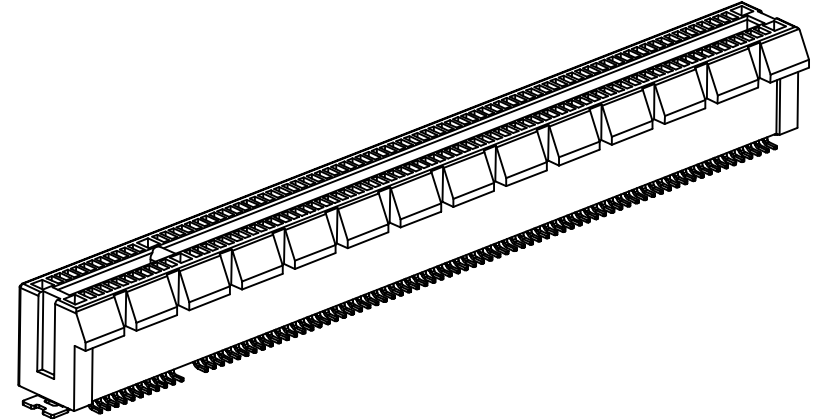
REV	LTR	DESCRIPTION	DATE	DWN
-----	-----	-------------	------	-----



RECOMMENDED EDGE CARD PATTERN<PRIMARY SIDE>



RECOMMENDED EDGE CARD PATTERN<SECONDARY SIDE>



TOLERANCE		深圳市东方御业科技有限公司		TITLE: PCIe Gen4.0(16GT/s) 164P SMT type 无肋传统型			
LINEAR	ANGLES	www.DFYCDNN.COM Tel: 0755-27155560		CUSTOMER COPY	PART NO.: SEE TABLE		
X.±0.50	X°±2.0°				DWG NO.: EAST-16402-50		
.X ±0.38	.X°±1.0°	APPD:	DRWN: Rocky	UNITS	SCALE	SHEET	REV
.XX ±0.25	.XX°±	CHKD:	DATE: 2021-5-24				
.XXX ±0.15	.XXX°±						