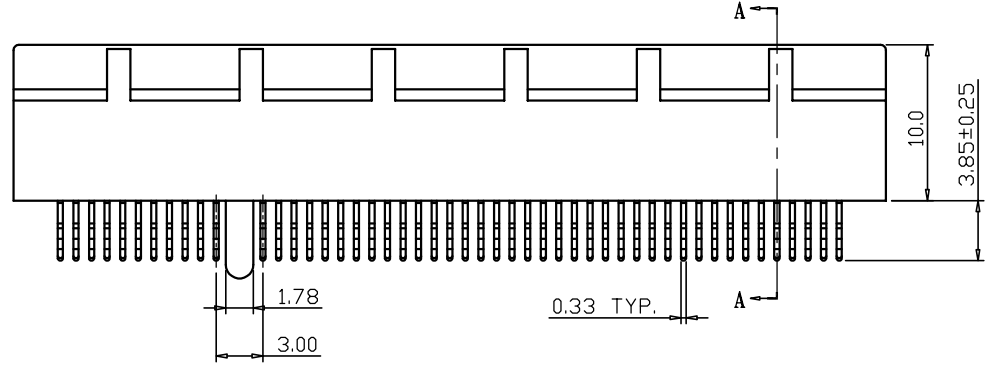
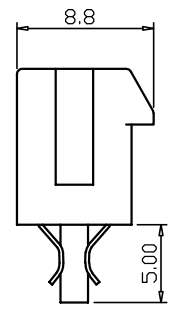
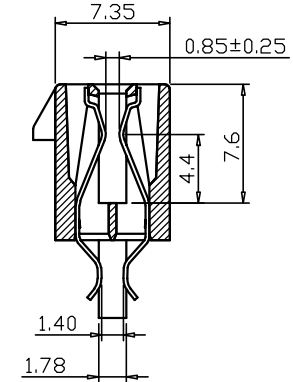
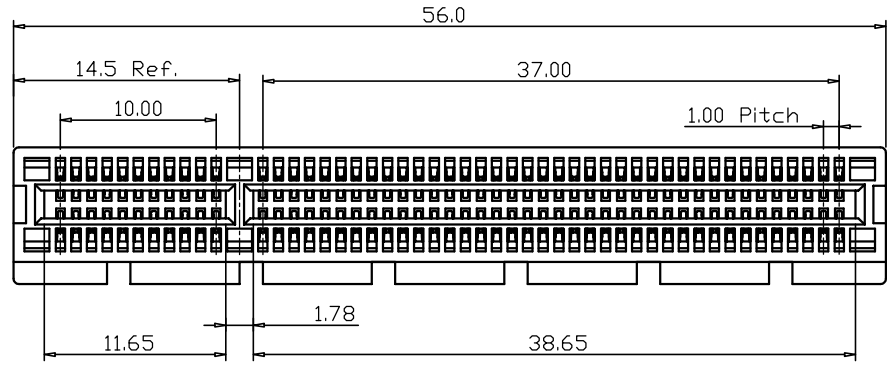


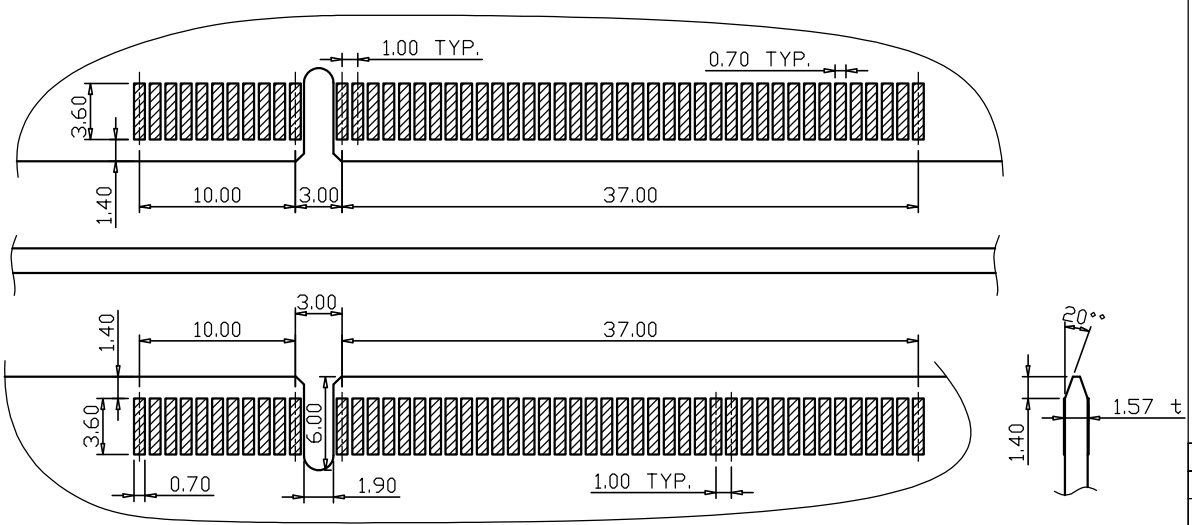
REV	LTR	DESCRIPTION	DATE	DWN
-----	-----	-------------	------	-----



NOTES:

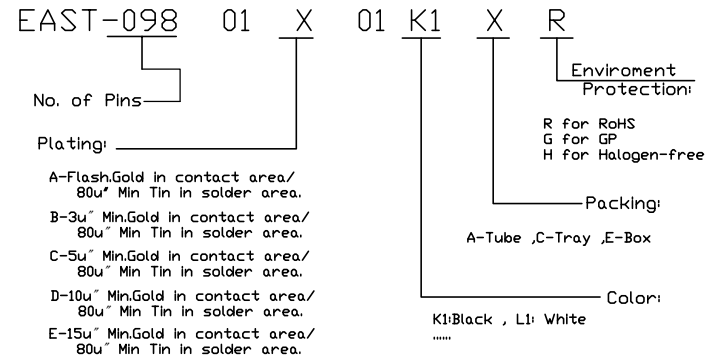
- Electrical characteristics:
  - Current rating: 1.1 AMP per contact;
  - Insulation resistance: 1000 Megohms at 500V DC Min;
  - Contact resistance: 30 milliohms Max (initial);
- Mechanical characteristics:
  - Insertion force: 1.15N Max per contact pair;
  - Withdrawal force: 0.15N Min per contact pair;
- Environmental:
 

TEMPERATURE RANGE:-55°C to +85°C
- Materials:
  - Housing: LCP+30% G/F, UL94 V-0;
  - contact: Copper Alloy;
    - plating: Gold plating on contact area;
    - Tin on solder area;
    - Nickel underplating over all.



RECOMMENDED PCB LAYOUT TOLERANCE: ±0.05

\*ORDER INFORMATION:\*



TOLERANCE		TITLE: PCIe 98P Slot, 夹板式 带定位柱, 无螺丝孔	
LINEAR	ANGLES	深圳市东方御业科技有限公司	
X, ±0.50	X°, ±2.0°	Tel: 0755-27155560 WWW.DFYCONN.COM	
.X ±0.38	.X° ±1.0°	PART NO.<Dld>	
.XX ±0.25	.XXX° ±	APPD:	DRWN: Rocky
.XXX ±0.10	.XXX° ±	CHKD:	DATE: 2012-3-15
		UNITS: MM	
		SCALE: 1:1	
		SHEET: 1 OF 1	
		REV: 0.1	