

REV.	ECN NO.	MODIFY MATTER	DATE	APPROVED
A		RELEASE TO PRODUCTION	2013/02/05	Mike

***Material:**

- 1.Housing: PANT+30%G/F,UL94 V-0;
- 2.Terminal: Brass,T=0.25mm;
- Plating: Gold in contact area;
- 80u" Min Tin in solder area;
- 30u" MIN.NICKEL UNDERPLATING OVER ALL.

***Electrical Characteristics:**

- 1:Contact Resistance: 30mΩ Max.
- 2:Insulation Resistance: 1000MΩ Min.
- 3:Dielectric Strength: 500V DC/1MIN.
- 4.Contact Current rating: 1.1 A Per Pin Min.

***Mechanical Characteristics:**

- 1:Insertion Force: 1.15N per contact pair Max.
- 2:Extraction Force: 0.15N per contact pair Min.
- 3.Durability rating: 50 Cycles

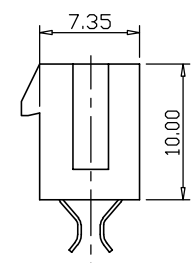
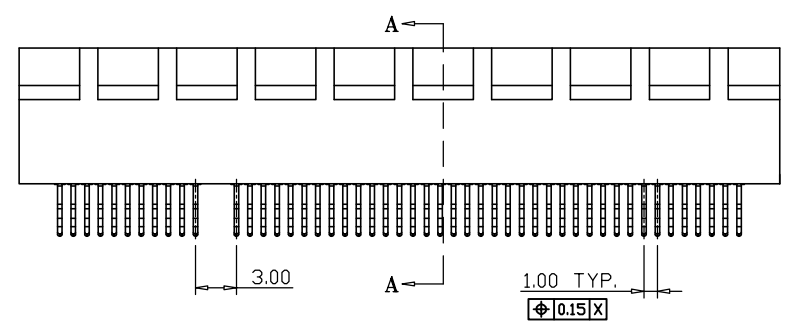
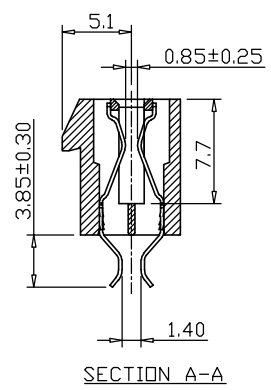
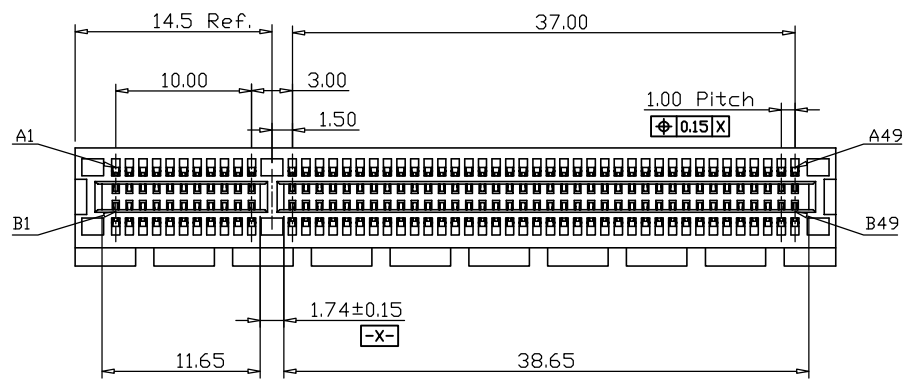
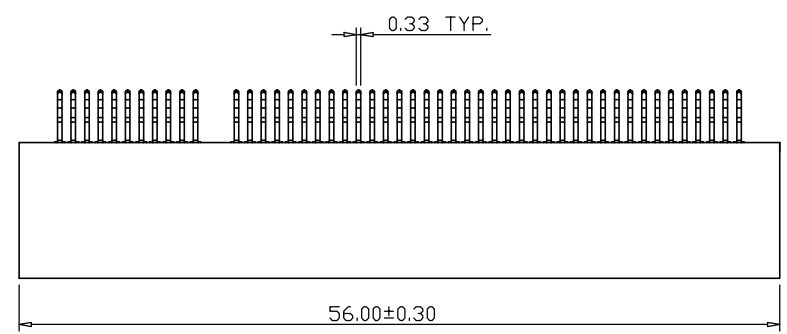
***TEMPERATURE RANGE:-25°C to +85°C**

ORDER INFORMATION:

EAST-098 01 X 16 XX X X

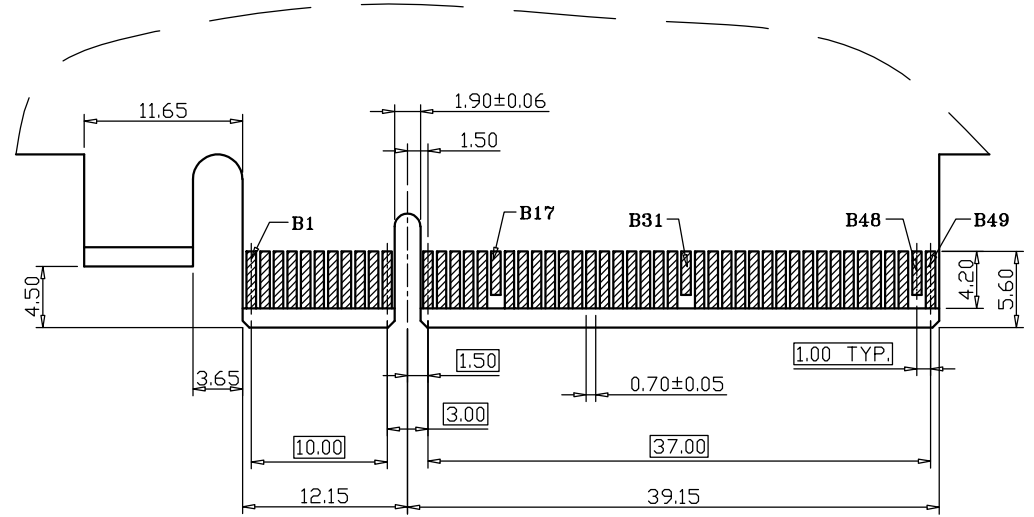
No. of Pins: 16
Plating: XX
Environment Protection: X
Packing: X
Color: K1:Black

A-Flash.Gold in contact area/
80u" Min Tin in solder area.
B-3u" Min.Gold in contact area/
80u" Min Tin in solder area.
C-5u" Min.Gold in contact area/
80u" Min Tin in solder area.
D-10u" Min.Gold in contact area/
80u" Min Tin in solder area.
E-15u" Min.Gold in contact area/
80u" Min Tin in solder area.

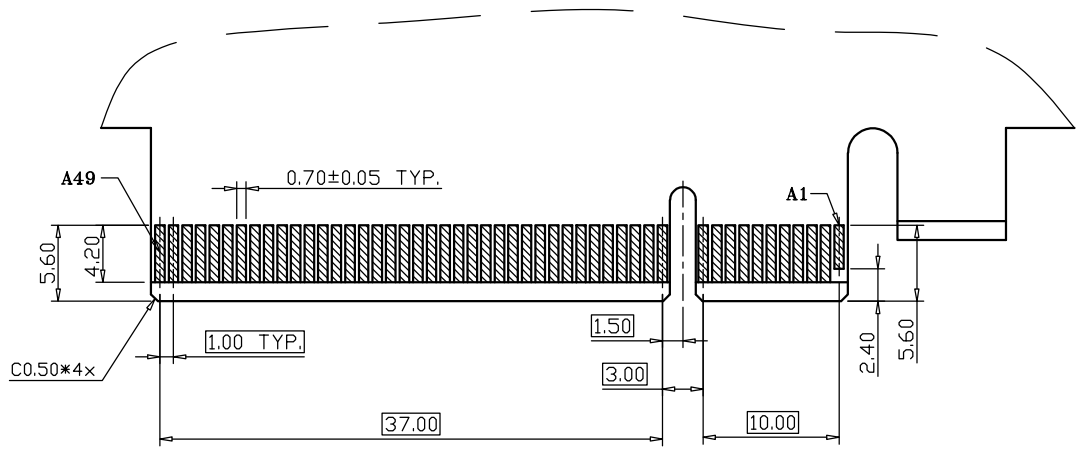


TOLERANCES UNLESS OTHERWISE SPECIFIED: X. --- X.X ± 0.38 X.XX ± 0.25 X.XXX ± 0.20 Angle ±3°	INSPECTION COPY	深圳市东方御业科技有限公司 WWW.DFYCONN.COM TEL:0755-27155560		
	DRAWN: chenlei	2013/02/05	TITL: PCIe 98P 无防小夹脚夹板式	
THESE DRAWING AND SPECIFICATION ARE THE PROPERTY OF Shenzhen dongfangyuye CO.,LTD. SHALL NOT BE REPRODUCED.	CHECKED: qinx	2013/02/05	PART NO: EAST-09801A16K1ER	
	APPROVED: qinx	2013/02/05	UNIT: mm	SCALE: N/A SHEEL: 1/1 REV. A

REV.	ECN NO.	MODIFY MATTER	DATE	APPROVED
A		RELEASE TO PRODUCTION	2013/02/05	Mike



RECOMMENDED EDGE CARD PATTERN(PRIMARY SIDE)

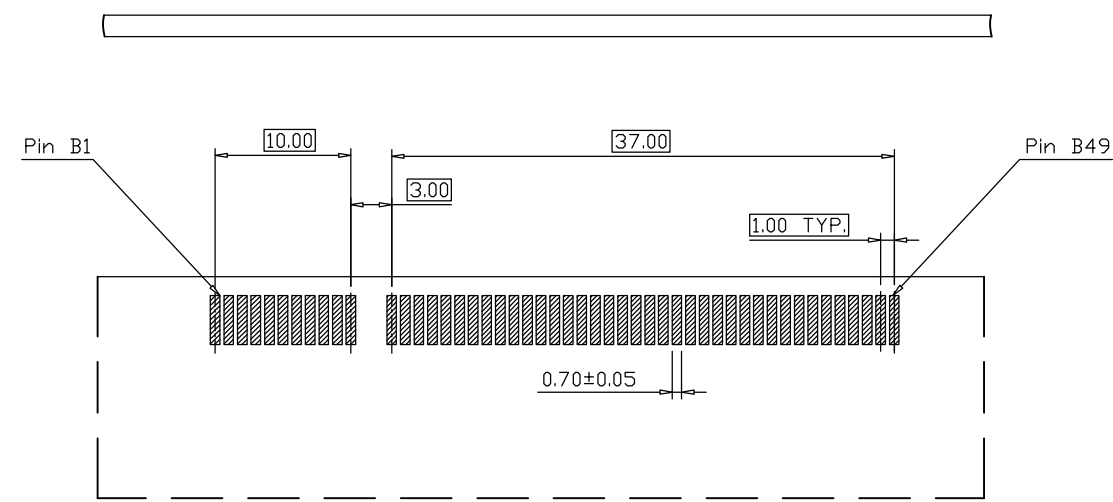
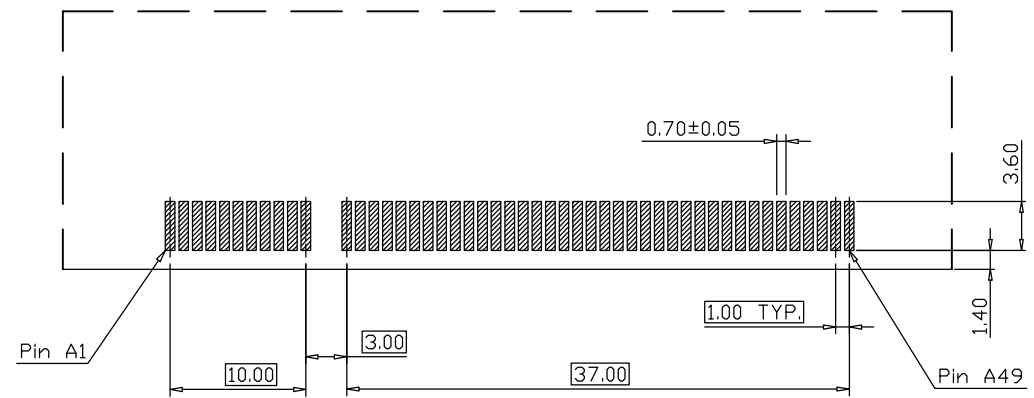


RECOMMENDED EDGE CARD PATTERN(SECONDARY SIDE)

TOLERANCES UNLESS OTHERWISE SPECIFIED: X. --- X.X ± 0.38 X.XX ± 0.25 X.XXX ± 0.20 Angle ± 3°	INSPECTION COPY	深圳市东方御业科技有限公司 WWW.DFYCONN.COM TEL:0755-27155560			
	DRAWN: chenlei	2013/02/05	TITIAL: PCIe 98P 无防小夹脚夹板式		
	CHECKED: qinkx	2013/02/05	PART NO: EAST-09801A16K1ER		
	APPROVED: qinkx	2013/02/05	UNIT: mm	SCALE: N/A	SHEET: 1/1

WWW.DFYCONN.COM

REV.	ECN NO.	MODIFY MATTER	DATE	APPROVED
A		RELEASE TO PRODUCTION	2013/02/05	Mike



RECOMMENDED PCB LAYOUT TOLERANCE: ±0.05

TOLERANCES UNLESS OTHERWISE SPECIFIED: X. --- X.X ± 0.38 X.XX ± 0.25 X.XXX ± 0.20 Angle ±3°	INSPECTION COPY	深圳市东方御业科技有限公司 WWW.DFYCONN.COM TEL:0755-27155560		
	DRAWN: chenlei	2013/02/05	TITIAL: PCIe 98P 无肋小夹脚夹板式	
THESE DRAWING AND SPECIFICATION ARE THE PROPERTY OF Shenzhen dongfangyue CO.,LTD. SHALL NOT BE REPRODUCED.	CHECKED: qinkx	2013/02/05	PART NO: EAST-09801A16K1ER	
	APPROVED: qinkx	2013/02/05	UNIT: mm	SCALE: N/A
			SHEET: 1/1	REV. A

www.dfyconn.com