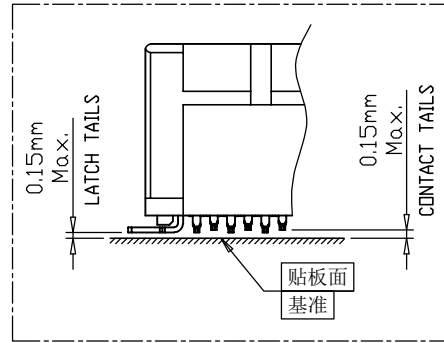
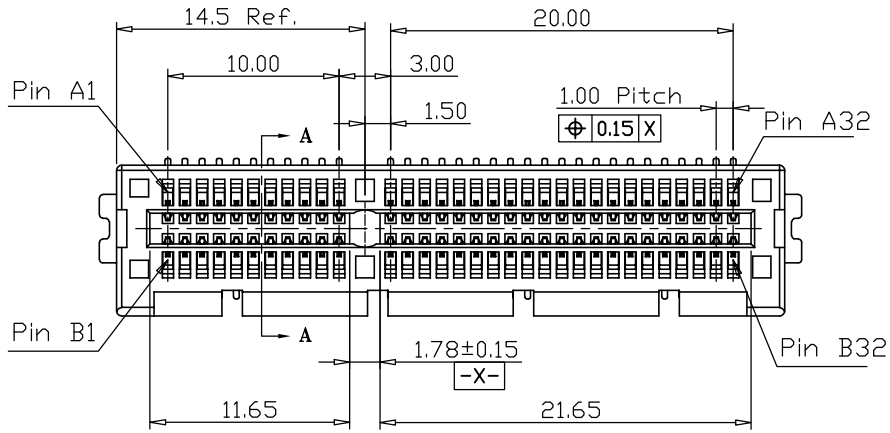


REV	LTR	DESCRIPTION	DATE	DWN



NOTES:

1.MATERIAL:

- 1).HOUSING:LCP+30%G/F,UL94 V-0,COLOR:BLACK;
- 2).CONTACT:Phosphor Bronze,T=0.25mm;

FINISH:

- a).30u"MIN Ni UNDER PLATED ALL;
- b).Au PLATING ON CONTACT AREA, Tin PLATING ON SOLDER AREA;

2.MECHANICAL:

- a).INSERTION FORCE: 1.15N Max.Per contact pair;
- b).Unmating FORCE: 0.15N Min..Per contact pair;
- c).DURABILITY: 50 CYCLES.

3.ELECTRICAL PERFORMANCE:

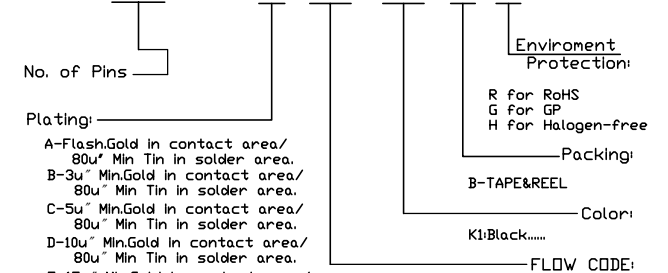
- a)CURRENT RATING: 1.1A Per Pin Min.;
- b)Contact resistance: 30mΩ MAX.(INITIAL);
- c)INSULATION RESISTANCE:500V DC,1000MΩ MIN.;
- e)DIELECTRIC WITHSTANDING VOLTAGE: APPLY 500V AC,NO BREAKDOWN.

4.Operating Temperature: -25°C to +85°C;

5.ALL MATERIAL SHOULD BE FULFILLED ROHS COMPLIANT.

\*ORDER INFORMATION\*:

EAST-064 01 X XX XX X X



No. of Pins

Plating:

- A-FlashGold in contact area/ 80u" Min Tin in solder area.
- B-3u" Min.Gold in contact area/ 80u" Min Tin in solder area.
- C-5u" Min.Gold in contact area/ 80u" Min Tin in solder area.
- D-10u" Min.Gold in contact area/ 80u" Min Tin in solder area.
- E-15u" Min.Gold in contact area/ 80u" Min Tin in solder area.
- G-30u" Min.Gold in contact area/ 80u" Min Tin in solder area.

Environment Protection:

- R for RoHS
- G for GP
- H for Halogen-free

Packing:

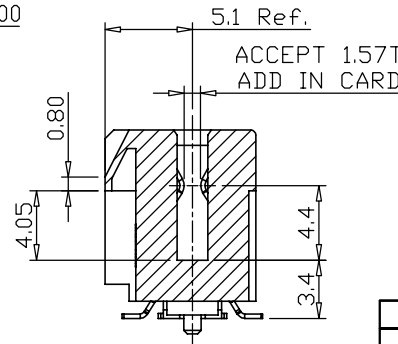
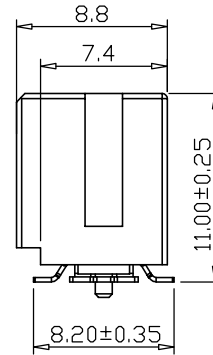
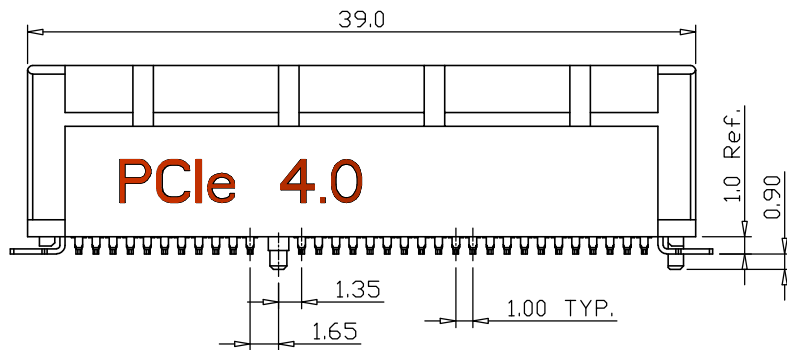
B-TAPE&REEL

Color:

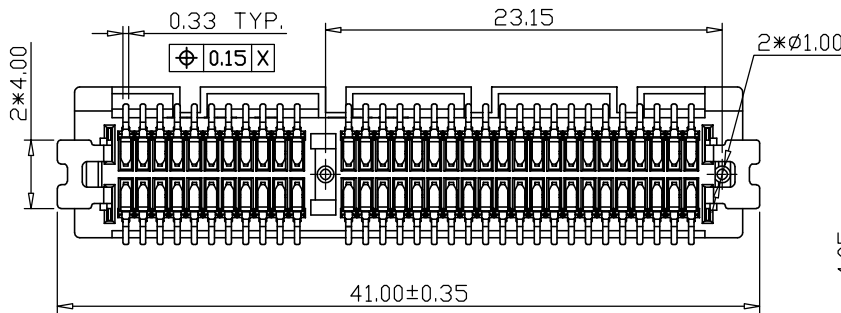
K:Black.....

FLOW CODE:

EAST-06401X46XXBX	With CAP
EAST-06401X47XXXX	With Mylar

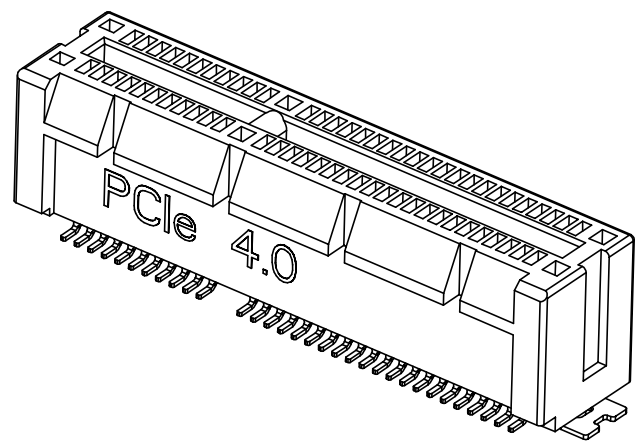
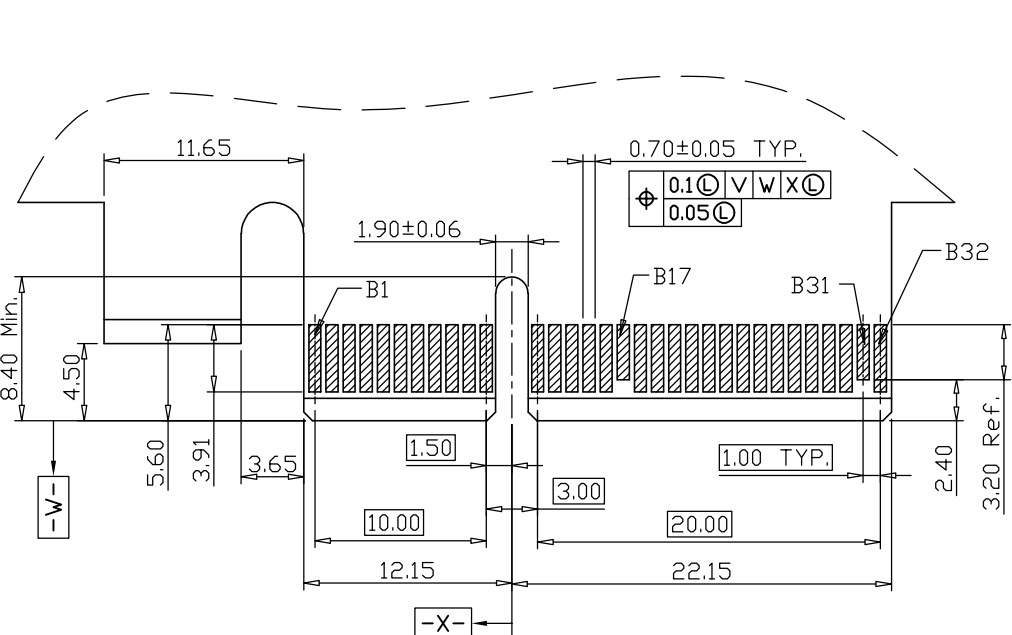


SECTION A-A

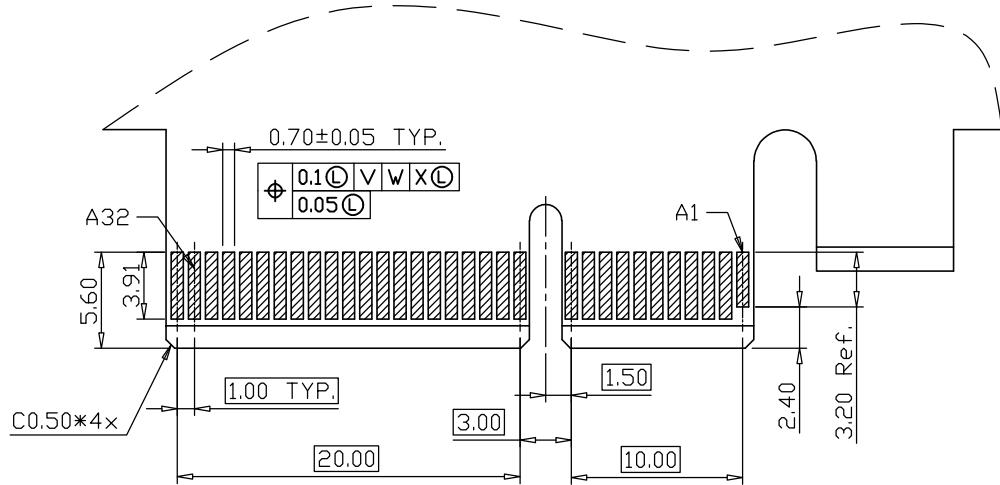


TOLERANCE		深圳市东方御业科技有限公司 ShenZhen CHINEAST Technology co.,Ltd	TITLE: PCIe Gen4.0(16GT/s) 64P SMT With Latch			
LINEAR	ANGLES		CUSTOMER COPY	PART NO.:	SCALE	SHEET
X.±0.50	X°.±2.0°	APPD: DRWN: Rocky CHKD: DATE: 2021-11-18	PART NO.:	SEE TABLE	1:1	1 OF 3
.X ±0.38	.X°±1.0°					
.XX ±0.25	.XX°±					
.XXX ±0.15	.XXX°±					

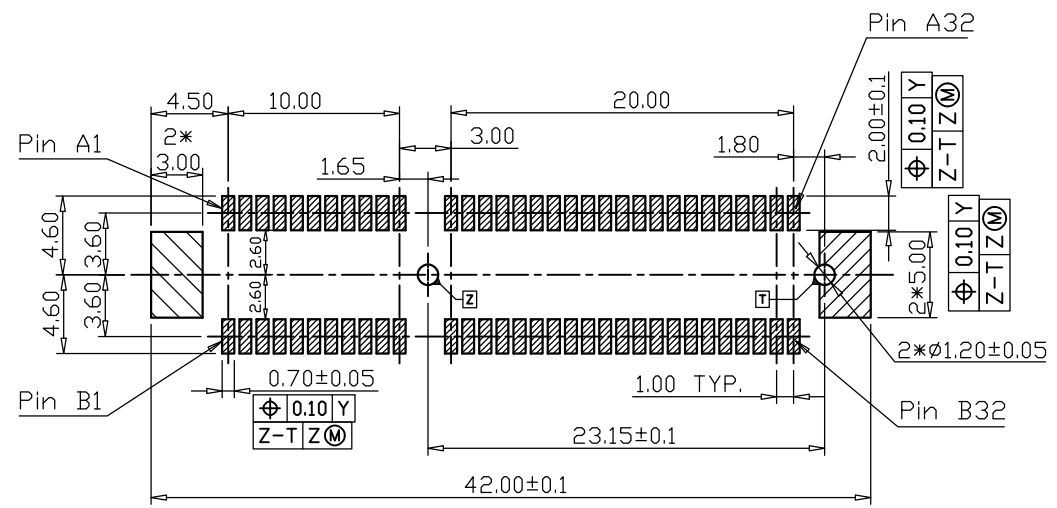
REV	LTR	DESCRIPTION	DATE	DWN



RECOMMENDED EDGE CARD PATTERN (PRIMARY SIDE)



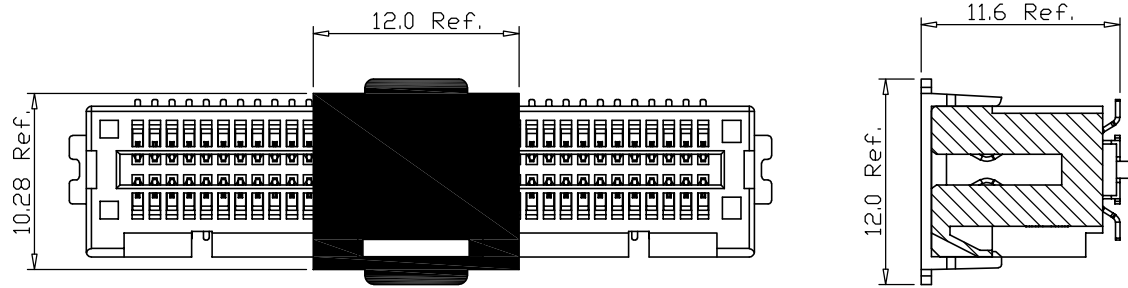
RECOMMENDED EDGE CARD PATTERN (SECONDARY SIDE)



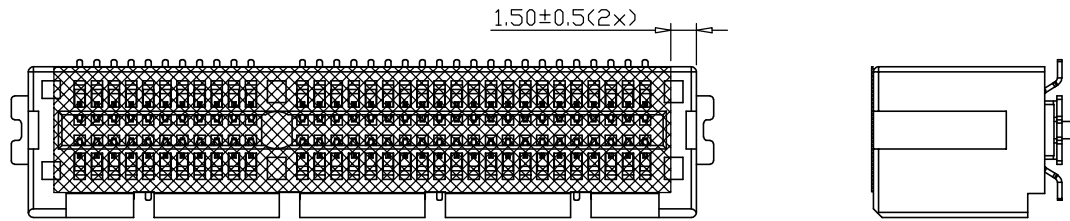
RECOMMENDED PCB LAYOUT (COMPONENT SIDE) TOLERANCE: ±0.05

TOLERANCE		深圳市东方御业科技有限公司 ShenZhen CHINEAST Technology co.,Ltd	TITLE: PCIe Gen4.0(16GT/s) 64P SMT With Latch				
LINEAR	ANGLES		CUSTOMER COPY	PART NO.:	SEE TABLE	DWG NO.:	
X.±0.50	X°.±2.0°	APPD:	DRWN: Rocky	UNITS	SCALE	SHEET	REV
.X±0.38	.X°.±1.0°						
.XX±0.25	.XX°±						
.XXX±0.15	.XXX°±						

REV	LTR	DESCRIPTION	DATE	DWN



With CAP



With MYLAR (Reference)

TOLERANCE		TITLE: PCIe Gen4.0(16GT/s) 64P SMT With Latch	
LINEAR	ANGLES	深圳市东方御业科技有限公司	
X.±0.50	X°.±2.0°	ShenZhen <b>CHNEAST</b> Technology co.,Ltd	
.X ±0.38	.X°±1.0°	CUSTOMER COPY	PART NO.: SEE TABLE
.XX ±0.25	.XX°±	DWG NO.: EAST-06401-46	UNITS SCALE SHEET REV
.XXX ±0.15	.XXX°±	APPD: DRWN: Rocky	MM 1:1 3 OF 3 0.1
		CHKD: DATE: 2021-11-18	