

SECTION A-A

**\*Material:**

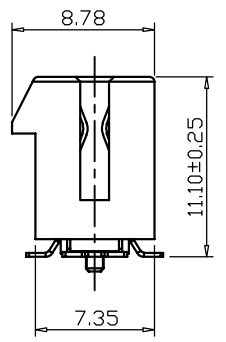
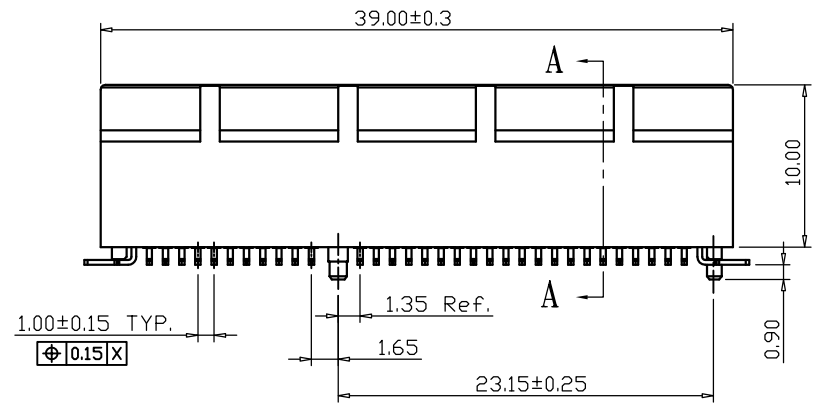
- 1.Housing: LCP+30% G/F, UL94V-0,COLOR: BLACK,;
- 2.Terminal: Phosphor Bronze,T=0.25mm;  
Plating: Gold Plating on contact area;  
80u" Matte Tin on solder area;  
Both over 30u" MIN.NICKEL UNDER-PLATING OVER ALL.
- 3.Latch: Brass,T=0.30mm;  
Plating: 80u" Matte Tin on Solder area,  
30u" NICKEL UNDER PLATING OVER ALL.

**\*Electrical Characteristics:**

- 1:Contact Resistance: 30mΩ Max.
- 2:Insulation Resistance: 1000MΩ Min.
- 3:Dielectric Strength: 500V DC/1MIN.
- 4.Contact Current rating: 1.1 A Per Pin Min.

**\*Mechanical Characteristics:**

- 1:Insertion Force: 1.15N per contact pair Max.
- 2:Extraction Force: 0.15N per contact pair Min.
- 3.Durability rating:50 Cycles



**\*ORDER INFORMATION:\***

EAST-064 01 X 56 XX X X

No. of Pins:           

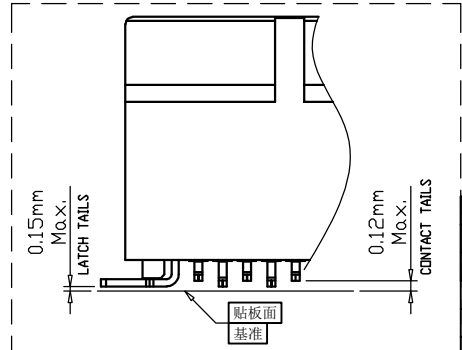
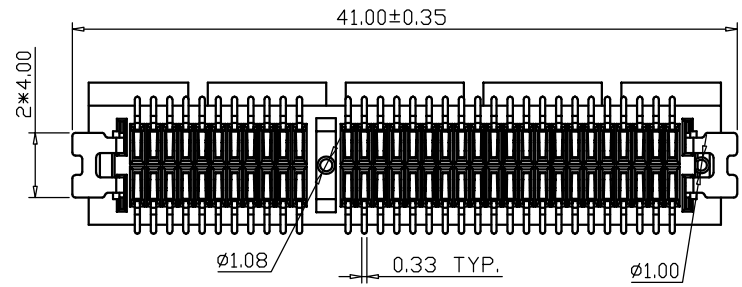
Plating:           

Environment Protection:  
R for RoHS  
G for GP  
H for Halogen-free

Packing:  
B-Tape&Reel with CAP,

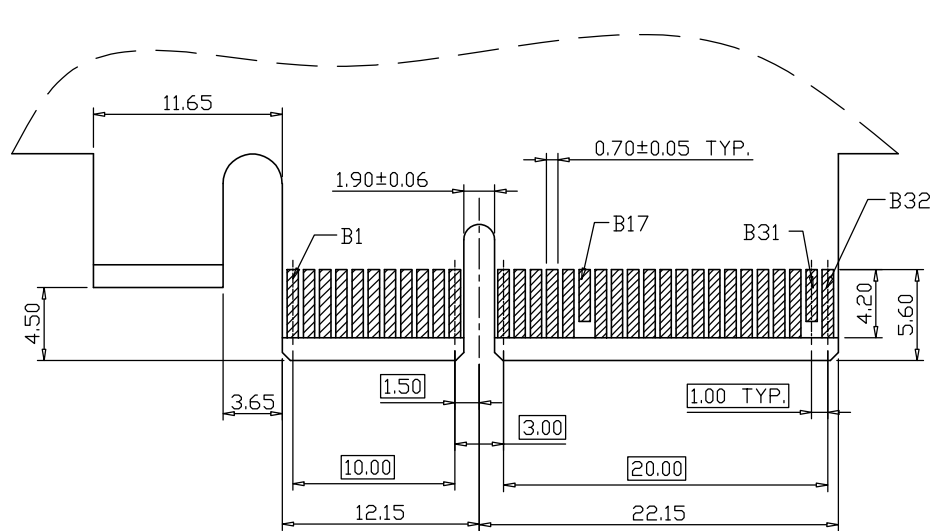
Color:  
K1:Black

A-Flash Gold in contact area/  
80u" Min Tin in solder area.  
B-3u" Min.Gold in contact area/  
80u" Min Tin in solder area.  
C-5u" Min.Gold in contact area/  
80u" Min Tin in solder area.  
D-10u" Min.Gold in contact area/  
80u" Min Tin in solder area.  
E-15u" Min.Gold in contact area/  
80u" Min Tin in solder area.  
G-30u" Min.Gold in contact area/  
80u" Min Tin in solder area.

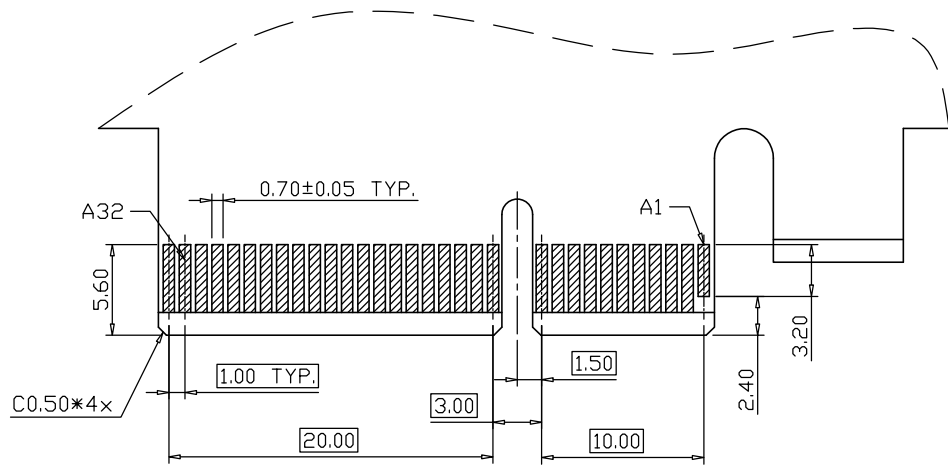
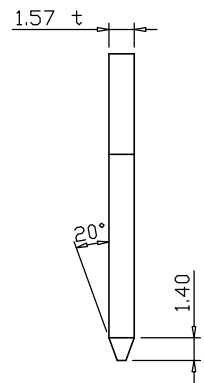


TOLERANCE		深圳市东方御业科技有限公司 ShenZhen CHNEAST Technology co.,Ltd	TITLE: PCIe 64P Vertical SMT type with Latch 开口式					
LINEAR	ANGLES		CUSTOMER	PART NO.:				
X.±0.50	X°.±2.0°		CDPY	DWG NO.: EAST-220119-01				
.X ±0.38	.X°±1.0°		APPD:	DRWN: Rocky	UNITS	SCALE	SHEET	REV
.XX ±0.25	.XX°±		CHKD:	DATE: 2022-1-19	MM	1:1	1 OF 3	A/0
.XXX ±0.15	.XXX°±							

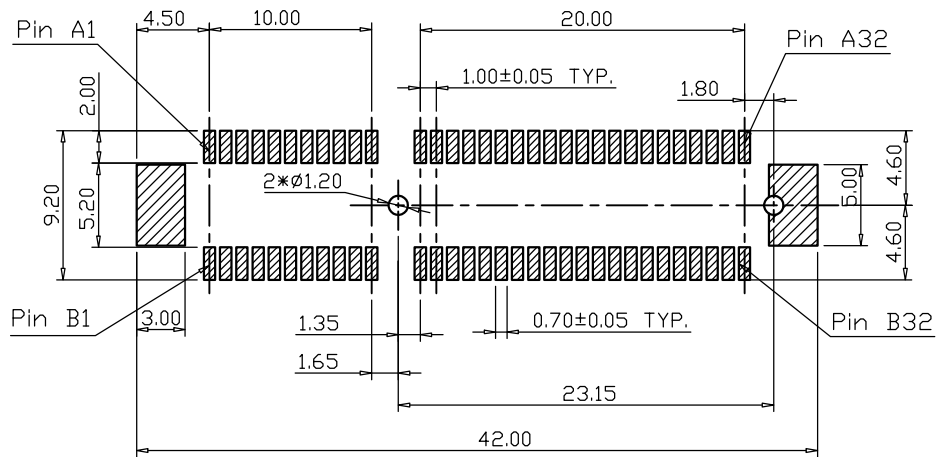
REV	LTR	DESCRIPTION	DATE	DWN
-----	-----	-------------	------	-----



RECOMMENDED EDGE CARD PATTERN (PRIMARY SIDE)



RECOMMENDED EDGE CARD PATTERN (SECONDARY SIDE)

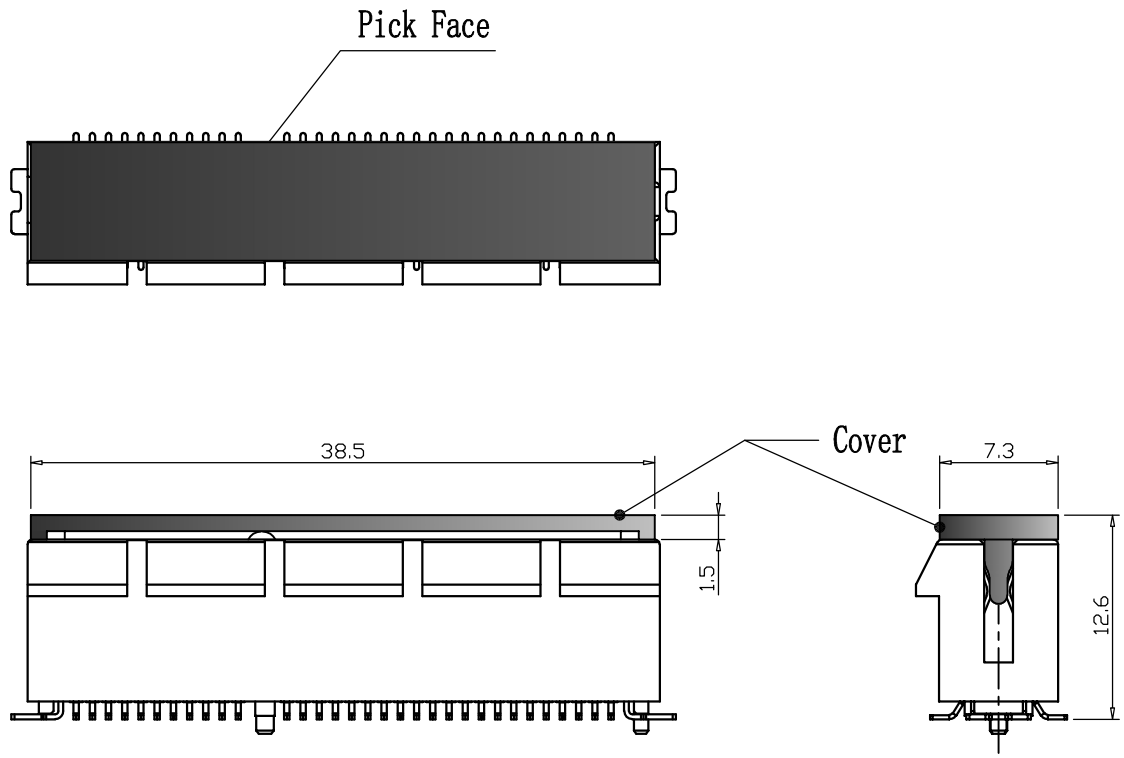


RECOMMENDED PCB LAYOUT (COMPONENT SIDE) TOLERANCE: ±0.05

TOLERANCE		深圳市东方御业科技有限公司 ShenZhen CHNEAST Technology co.,Ltd	TITLE: PCIe 64P Vertical SMT type with Latch 破口式			
LINEAR	ANGLES		CUSTOMER COPY	PART NO.:		
X.±0.50	X°.±2.0°		DWG NO.:	EAST-220119-01		
.X ±0.38	.X°±1.0°		UNITS	SCALE	SHEET	REV
.XX ±0.25	.XX°±		MM	1:1	2 OF 3	A/0
.XXX ±0.15	.XXX°±		APPD:	DRWN: Rocky	DATE: 2022-1-19	
		CHKD:				

REV	LTR	DESCRIPTION	DATE	DWN
-----	-----	-------------	------	-----

WITH COVER DRAWING



TOLERANCE		深圳市东方御业科技有限公司		TITLE: PCIe 64P Vertical SMT type with Latch破口式				
LINEAR	ANGLES	ShenZhen CHNEAST Technology co.,Ltd		CUSTOMER	PART NO.:			
X.±0.50	X°.±2.0°			COPY	DWG NO.: EAST-220119-01			
.X ±0.38	.X°±1.0°	APPD:	DRWN: Rocky		UNITS	SCALE	SHEET	REV
.XX ±0.25	.XX°±	CHKD:	DATE: 2022-1-19		MM	1:1	3 OF 3	A/0
.XXX ±0.15	.XXX°±							