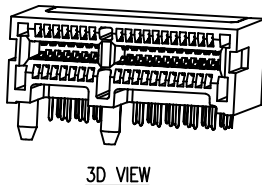
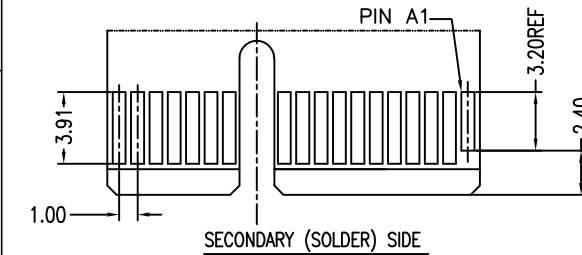
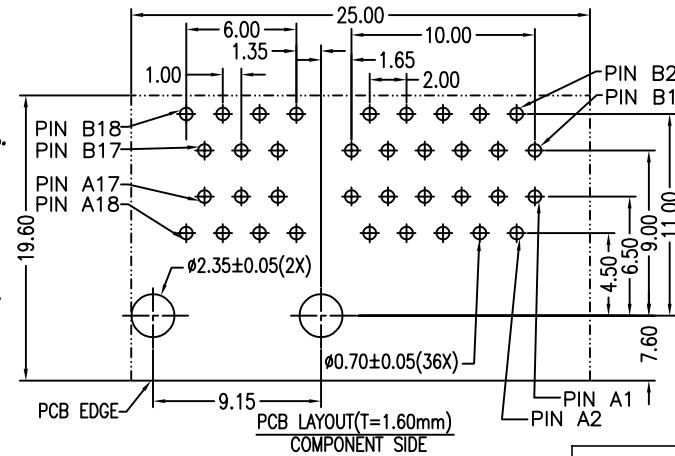
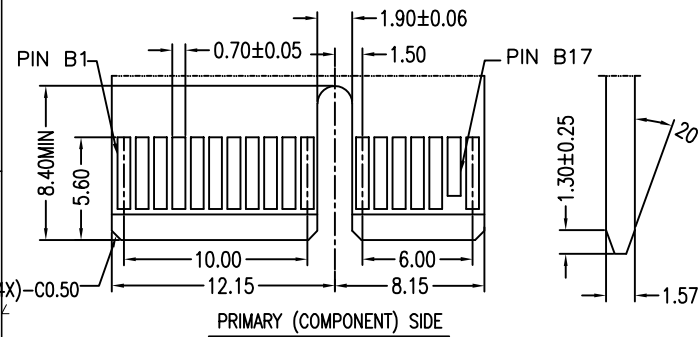
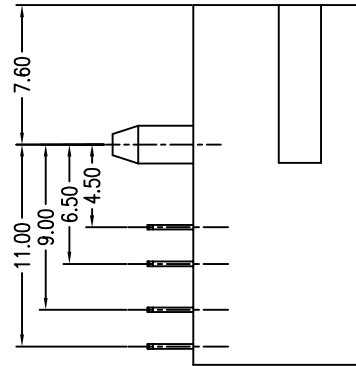
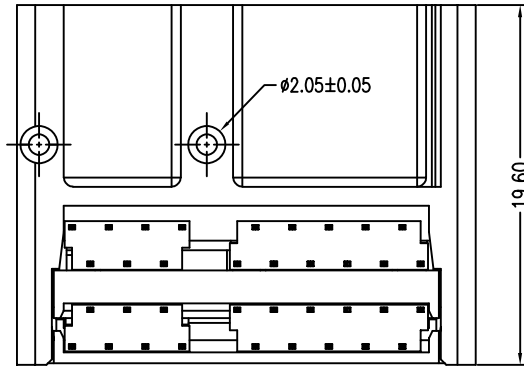
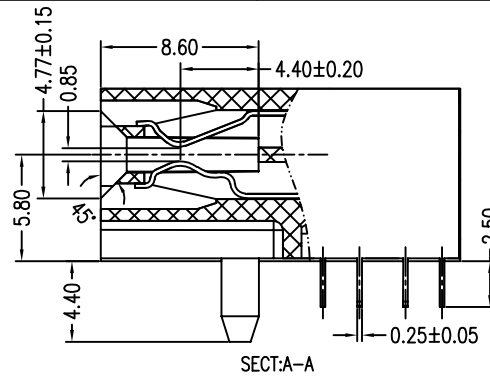
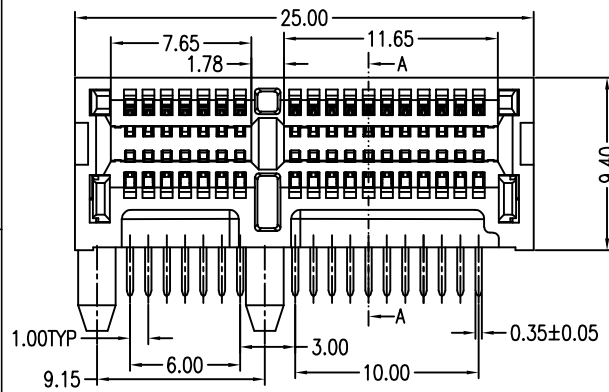


REV.	ECN NO.	MODIFY MATTER	DATE	APPROVED
		RELEASE TO PRODUCTION		



**NOTES:**

**\*Material**

Housing: LCP, UL 94V-0  
 Contact: Brass.  
 Plating: Au Plating On Contact Area;  
 Sn(100u" Min.) Plating On Solder Tail;  
 Ni(50u" Min.) Underplating Overall

**\*Mechanical**

Insertion Force: 1.15N Max per contact pair;  
 Withdrawal Force: 0.15N Min per contact pair;  
 Contact Retention Force: 3.5N Min per contact;  
 Durability: 50 cycles

**\*Electrical Specification**

Current Rating : 1.1 Ampere  
 Contact Resistance : 30mΩ Max.  
 Insulation Resistance : 1000MΩ Min, At 500V AC.

**\*Environmental**

Operating Temperature : -55°c to +105°c

**\*How to Order:**

EAST-036L1B7U

Number of Contacts ————  
 Au: A:1u" D:15u" F:30u"  
 U:Lead Free  
 7:DIP 2.50(GEN3)(Right key)  
 1:Black  
 B:Brass

TOLERANCES UNLESS OTHERWISE SPECIFIED: X. ——— X.X ± 0.38 X.XX ± 0.25 X.XXX ± 0.10 Angle ±1°	CUSTOMER COPY 深圳市东方御业科技有限公司 WWW.DFYCONN.COM TEL: 0755-27155560	
	DRAWN: CHENLEI	TITL: PCI EXPRESS R/A DIP TYPE (GEN3) 36PIN (Right key)
	CHECKED: CHENLEI	PART NO: EAST-036L1B7U
	APPROVED: QINKAIXING	DATE: 2017/09/10
THESE DRAWING AND SPECIFICATION ARE THE PROPERTY OF Shenzhen Dongfangyue ELECTRONIC CO.,LTD.. SHALL NOT BE REPRODUCED.		UNIT: mm SCALE: N/A SHEEL: 1:1 REV.