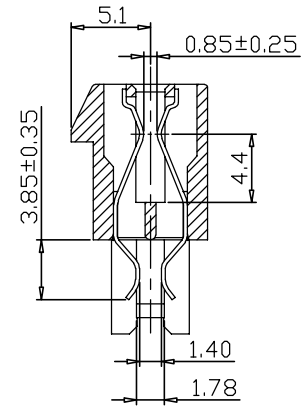
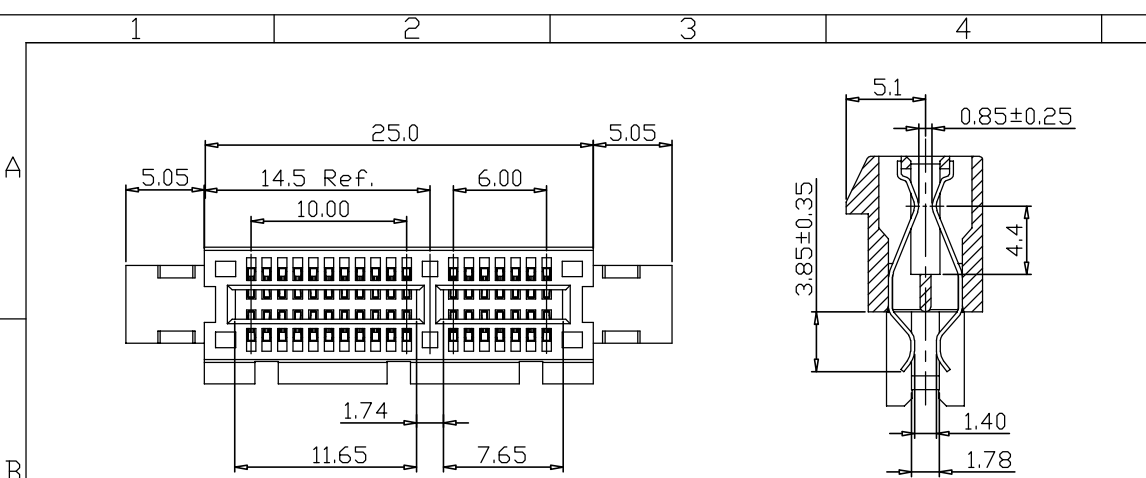
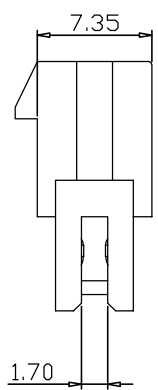
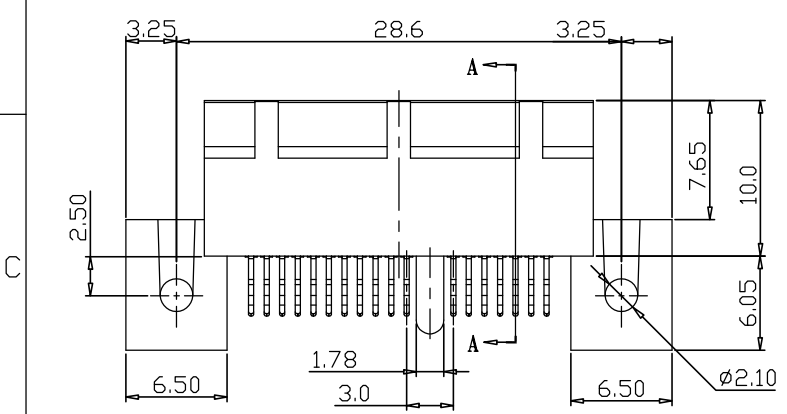


REV	LTR	DESCRIPTION	DATE	DWN
-----	-----	-------------	------	-----



SECTION A-A

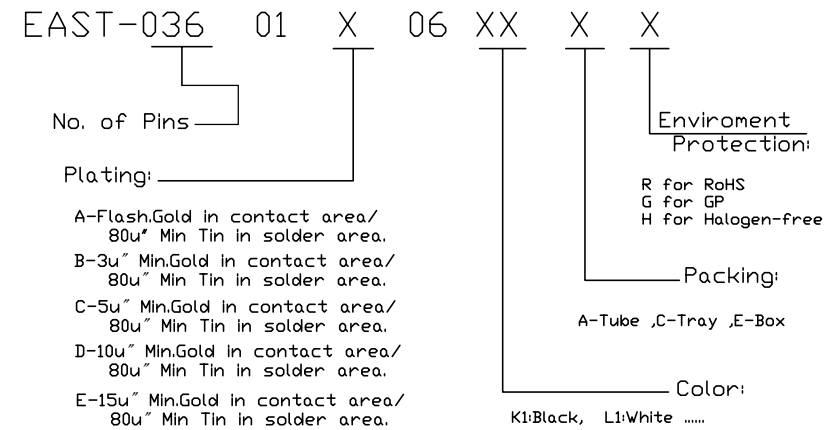


- NOTES:
- Electrical characteristics:
 - Current rating: 1.1 AMP per contact;
 - Insulation resistance: 1000 Megohms at 500V DC Min;
 - Contact resistance: 30 milliohms Max (initial);
 - Mechanical characteristics:
 - Insertion force: 1.15N Max per contact pair;
 - Withdrawal force: 0.15N Min per contact pair;
 - Environmental:

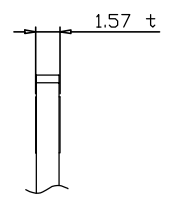
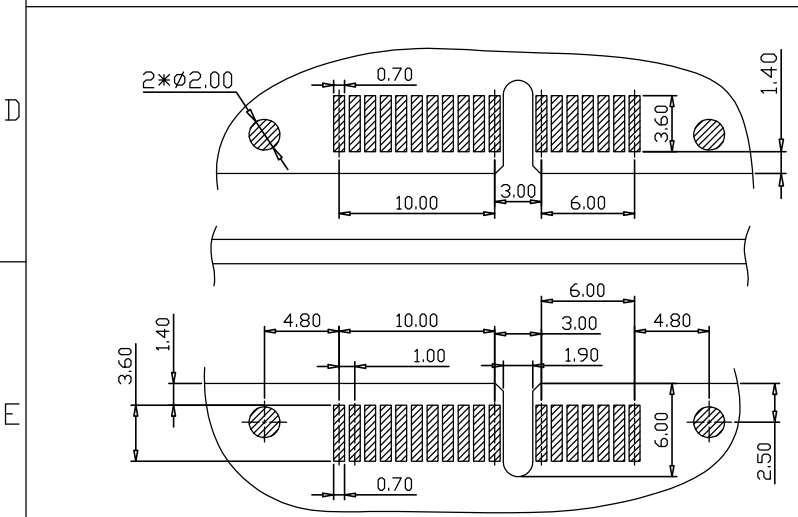
TEMPERATURE RANGE:-55°C to +85°C
 - Materials:
 - Housing: LCP+30% G/F, UL94 V-0;
 - contact: Copper Alloy;

plating: Gold plating on contact area;
Tin on solder area;
Nickel underplating over all.

ORDER INFORMATION



RECOMMENDED PCB LAYOUT
TOLERANCE: ±0.05



TOLERANCE		TITLE: PCIe 36P 夹板式带 螺丝孔和定位柱	
LINEAR	ANGLES	PART NO.: SEE TABLE	
.X±0.50	X°±2.0°	DWG NO.<Dld>: EAST-EB-039	
.X±0.38	.X°±1.0°	UNITS	SCALE SHEET REV
.XX±0.25	.XX*±	MM	1:1 1 OF 1 0.1
.XXX±0.10	.XXX*±	APPD:	DRWN: Rocky
		CHKD:	DATE: 2012-9-25

深圳市东方御业科技有限公司
TEL:0755-27155560 WWW.DFYCONN.COM

