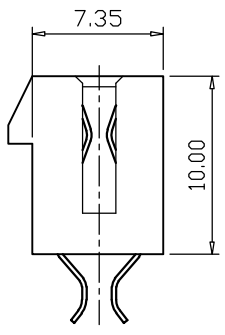
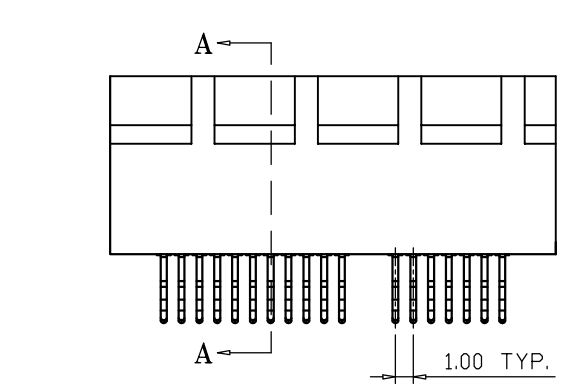


SECTION A-A



NOTES:

1.MATERIAL:

- 1).HOUSING:PA66+30%G.F,UL-HB,COLOR:BLACK;
- 2).CONTACT:COPPER ALLOY,T=0.25mm;
- FINISH:
- a).30u"MIN Ni UNDER PLATED ALL;
- b).Au PLATING ON CONTACT AREA, Tin PLATING ON SOLDER AREA;

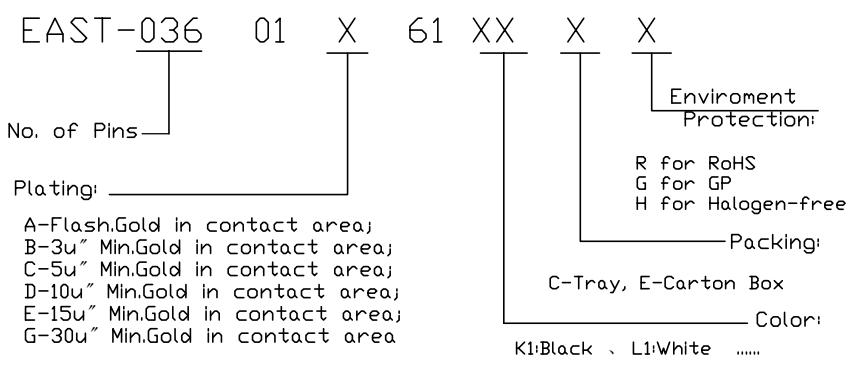
2.MECHANICAL:

- a).INSERTION FORCE: 1.15N Max.Per contacct pair;
- b).Unmaating FORCE: 0.15N Min..Per contacct pair;
- c).DURABILITY: 50 CYCLES.

3.ELECTRICAL PERFORMANCE:

- b)CURRENT RATING: 1.1A Per Pin;
- c)Contact resistance: 30mΩ MAX.(INITIAL);
- d)INSULATION RESISTANCE:500V DC,1000MΩ MIN.;
- e)DIELECTRIC WITHSTANDING VOLTAGE: APPLY 500V AC,NO BREAKDOWN.
- 4.Operating Temperature: -25°C to +85°C;
- 5.ALL MATERIAL SHOULD BE FULFILLED ROHS COMPLIANT.

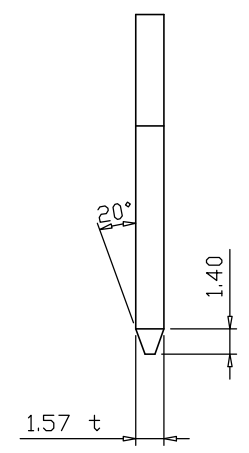
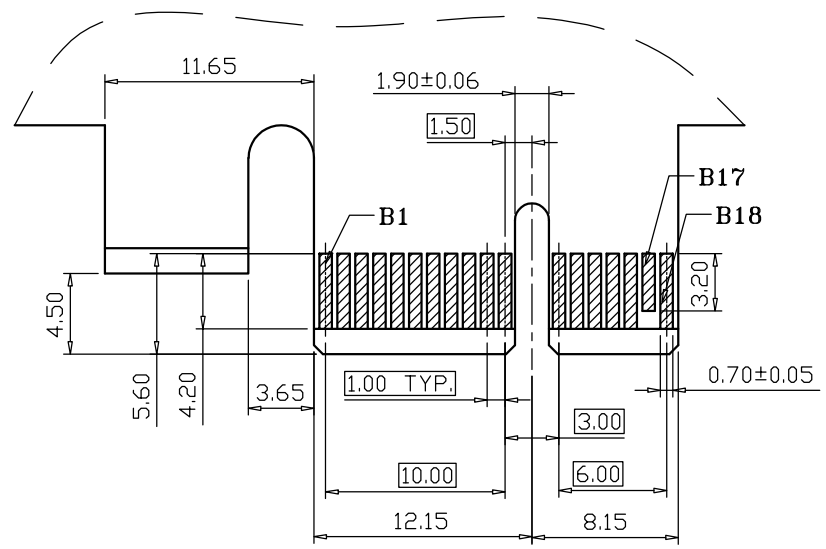
ORDER INFORMATION:



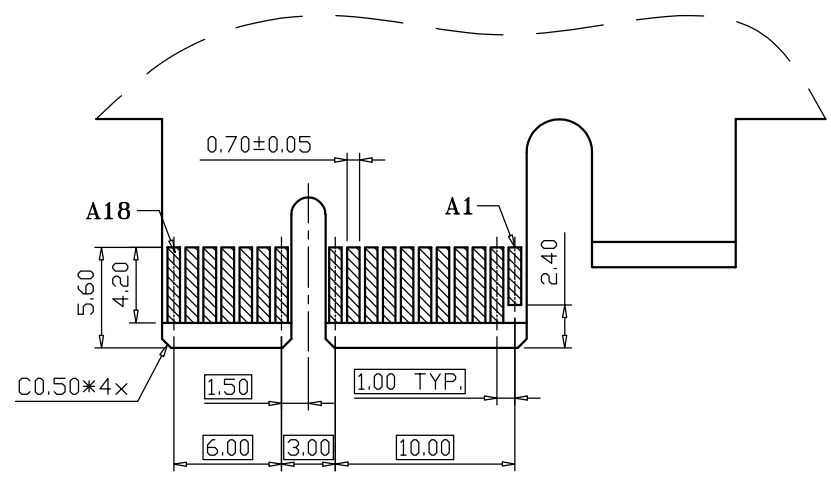
- A-Flash.Gold in contact area;
- B-3u" Min.Gold in contact area;
- C-5u" Min.Gold in contact area;
- D-10u" Min.Gold in contact area;
- E-15u" Min.Gold in contact area;
- G-30u" Min.Gold in contact area

| TOLERANCE | | 深圳市东方御业科技有限公司 ShenZhen CHNEAST Technology co.,Ltd | TITLE: PCIe 36P 无肋(开口)小夹角夹板式 | | | | |
|-----------|----------|--|------------------------------|---------------------|-------|-------|-----|
| LINEAR | ANGLES | | CUSTOMER | PART NO.: SEE TABLE | | | |
| X.±0.50 | X°.±2.0° | CDPY | DWG NO.: EAST-03601-55 | | | | |
| .X±0.38 | .X°±1.0° | APPD: | DRWN: Rocky | UNITS | SCALE | SHEET | REV |
| .XX±0.25 | .XX°± | CHKD: | DATE: 2019-9-28 | | | | |
| .XXX±0.15 | .XXX°± | | | | | | |

| 5 | 6 | 7 | 8 |
|-----|-----|-------------|------|
| REV | LTR | DESCRIPTION | DATE |
| | | | |



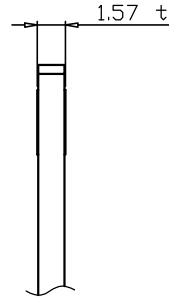
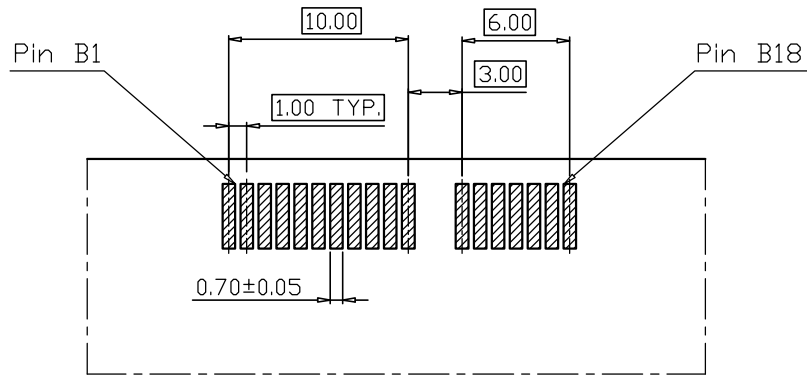
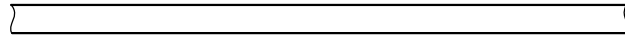
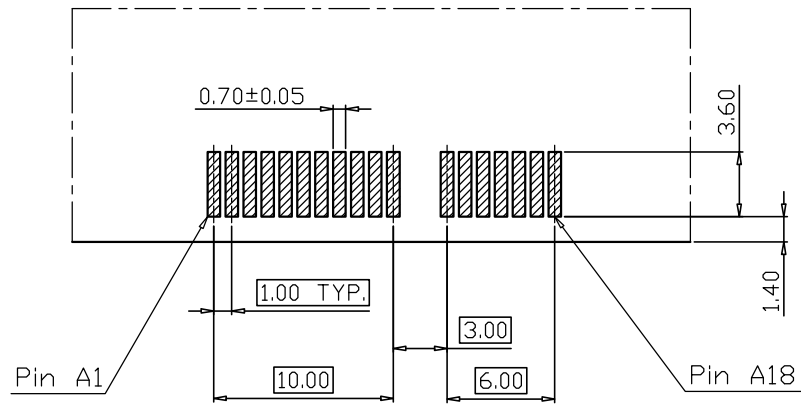
RECOMMENDED EDGE CARD
PATTERN<PRIMARY SIDE>



RECOMMENDED EDGE CARD
PATTERN<SECONDARY SIDE>

| TOLERANCE | | 深圳市东方御业科技有限公司 | | TITLE: PCIe 36P无肋(开口)小夹角夹板式 | | | |
|-----------|----------|-------------------------------------|-----------------|-----------------------------|------------------------|-------|--------|
| LINEAR | ANGLES | ShenZhen CHNEAST Technology co.,Ltd | | CUSTOMER | PART NO.: SEE TABLE | | |
| X.±0.50 | X°.±2.0° | | | CDPY | DWG NO.: EAST-03601-55 | | |
| .X±0.38 | .X°±1.0° | APPD: | DRWN: Rocky | UNITS | SCALE | SHEET | REV |
| .XX±0.25 | .XX°± | CHKD: | DATE: 2019-9-28 | | MM | 1:1 | 2 OF 3 |
| .XXX±0.15 | .XXX°± | | | | | | |

| | | | | |
|-----|-----|-------------|------|-----|
| REV | LTR | DESCRIPTION | DATE | DWN |
| | | | | |



RECOMMENDED PCB LAYOUT TOLERANCE:±0.05

| | | | | | | | |
|-----------|----------|-------------------------------------|-----------------|-----------------------------|------------------------|-------|-----|
| TOLERANCE | | 深圳市东方御业科技有限公司 | | TITLE: PCIe 36P无肋(开口)小夹角夹板式 | | | |
| LINEAR | ANGLES | ShenZhen CHNEAST Technology co.,Ltd | | CUSTOMER | PART NO.: SEE TABLE | | |
| X.±0.50 | X°.±2.0° | | | CDPY | DWG NO.: EAST-03601-55 | | |
| .X±0.38 | .X°±1.0° | APPD: | DRWN: Rocky | UNITS | SCALE | SHEET | REV |
| .XX±0.25 | .XX°± | CHKD: | DATE: 2019-9-28 | | | | |
| .XXX±0.15 | .XXX°± | | | | | | |