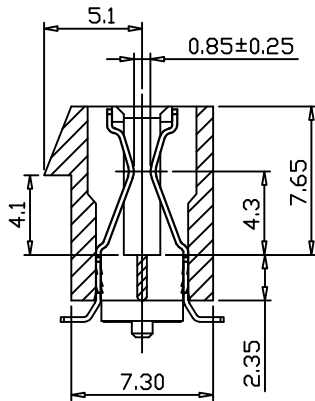
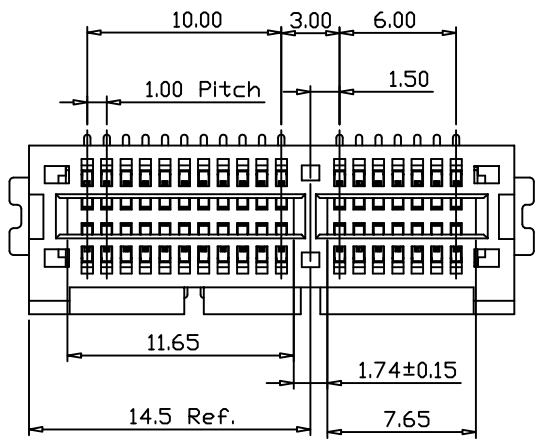
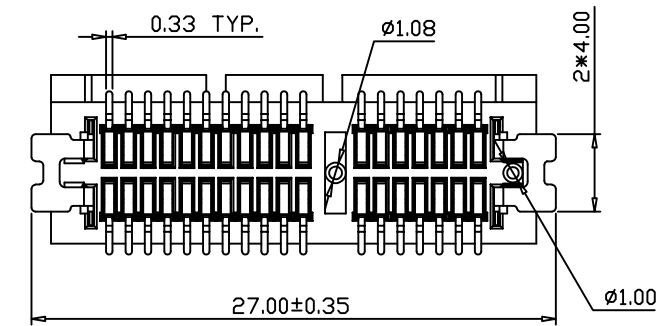
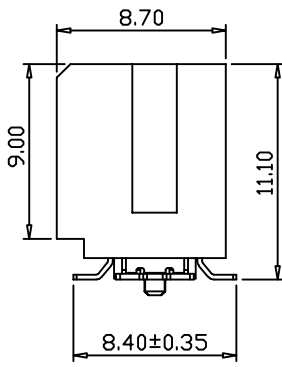
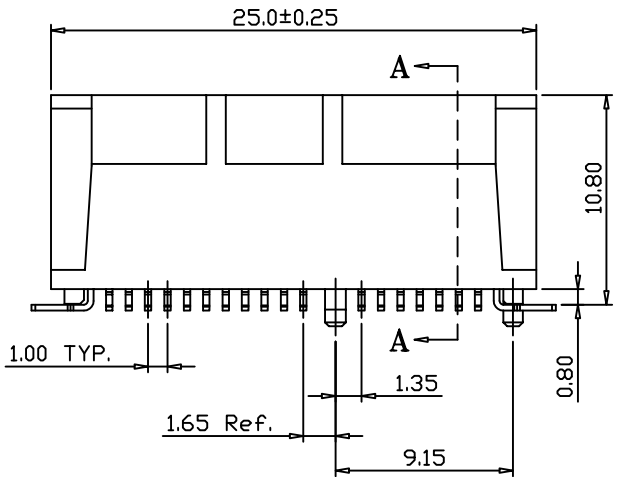


REV	LTR	DESCRIPTION	DATE	DWN
-----	-----	-------------	------	-----



SECTION A-A



*Material:

- Housing: LCP+30%G/F,Black,UL94 V-0;
- Terminal: Copper Alloy,T=0.25mm;
Finish: Gold in contact area;
80u" Min Tin in solder area;
50u" MIN.NICKEL UNDERPLATING OVER ALL.
- Latch: Copper Alloy,T=0.30mm;
Finish: Sn 100u" Min. and 50u" MIN. NICKEL UNDER PLATING OVER ALL.

*Electrical Characteristics:

- Contact Resistance: 30mΩ Max.
- Insulation Resistance: 1000MΩ Min.
- Dielectric Strength: 500V DC/1MIN.
- Contact Current rating: 1.1 A Per Pin Min.

*Mechanical Characteristics:

- Insertion Force: 1.15N per contact pair Max.
- Extraction Force: 0.15N per contact pair Min.
- Durability rating:50 Cycles

ORDER INFORMATION:

EAST-036 01 X XX XX X X

No. of Pins

Plating:

- A-Flash Gold in contact area/
80u" Min Tin in solder area.
- B-3u" Min.Gold in contact area/
80u" Min Tin in solder area.
- C-5u" Min.Gold in contact area/
80u" Min Tin in solder area.
- D-10u" Min.Gold in contact area/
80u" Min Tin in solder area.
- E-15u" Min.Gold in contact area/
80u" Min Tin in solder area.
- G-30u" Min.Gold in contact area/
80u" Min Tin in solder area.

Flow Code:

EAST-03601X25XXBX	With CAP
EAST-03601X26XXFX	Without CAP
EAST-03601X28XXXX	With Mylar

Environment Protection

- R for RoHS
- G for GP
- H for Halogen-free

Packing:

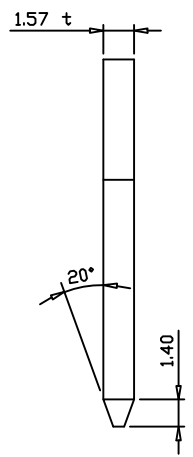
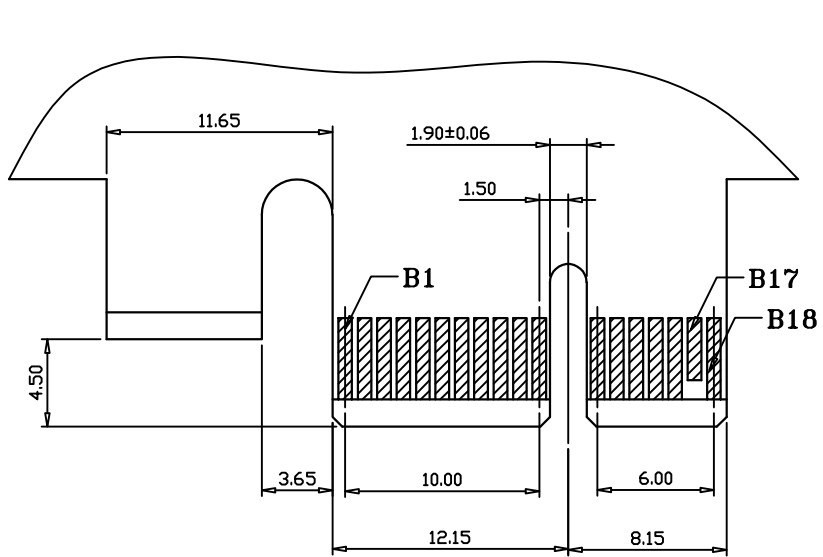
- A-Tube, B-Tape&Reel with CAP,
- C-Tray, F-Tape&Reel without CAP,

Color:

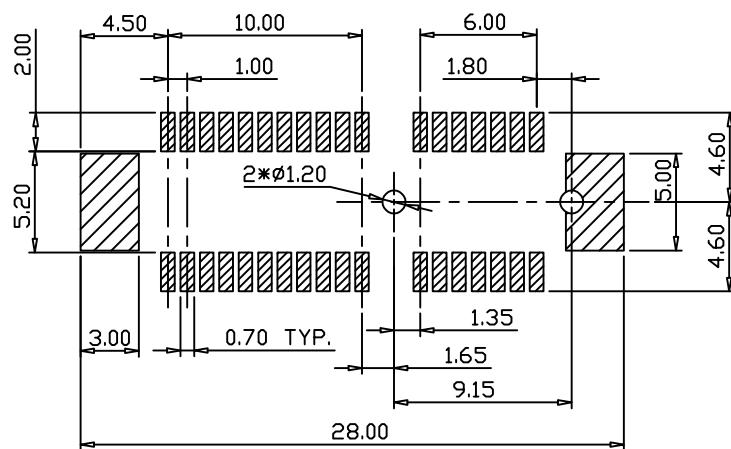
K:Black, L:White

TOLERANCE		深圳市东方御业科技有限公司 Tel:0755-27155560 www.DFYCONN.COM	TITLE: PCIe 36P Vertical SMT With Latch			
LINEAR	ANGLES		CUSTOMER COPY	PART NO.: SEE TABLE		
X.±0.50	X*.±2.0°			DWG NO.: EAST-03601-25		
.X ±0.38	.X*±1.0°		APPD:	DRWN: Rocky	UNITS	SCALE
.XX ±0.25	.XX*±		CHKD:	DATE: 2014-4-10	MM	1:1
.XXX ±0.15	.XXX*±			SHEET	REV	
				1 OF 3	0.1	

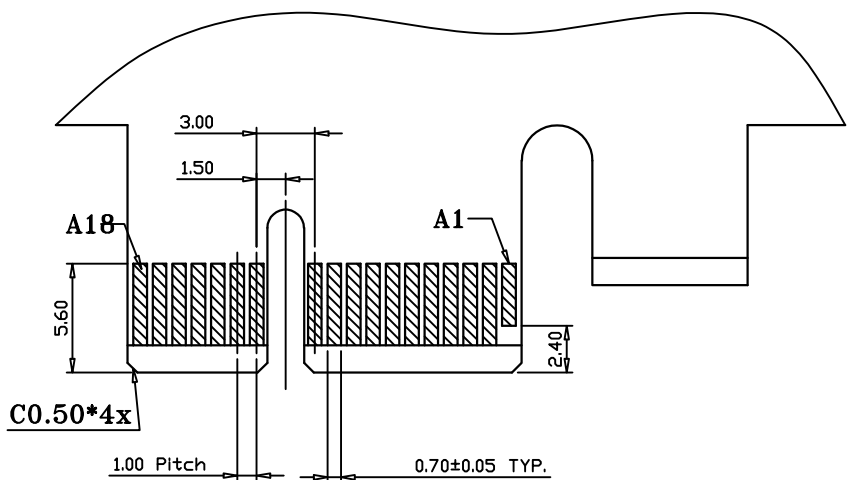
REV	LTR	DESCRIPTION	DATE	DWN
-----	-----	-------------	------	-----



RECOMMENDED EDGE CARD PATTERN (PRIMARY SIDE)



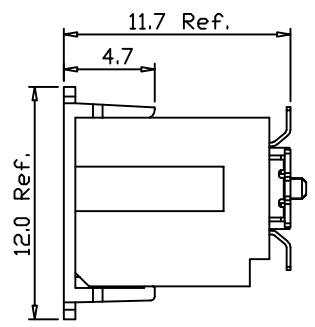
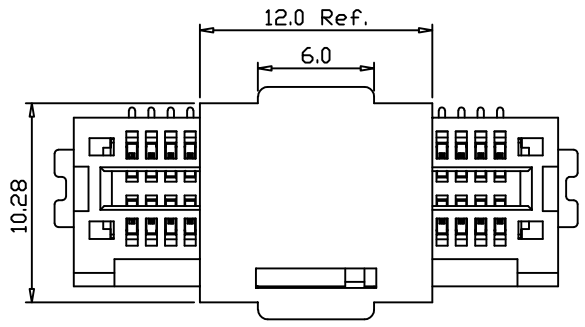
RECOMMENDED PCB LAYOUT (COMPONENT SIDE) TOLERANCE: ±0.05



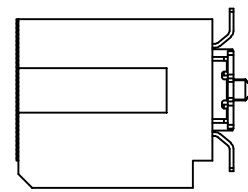
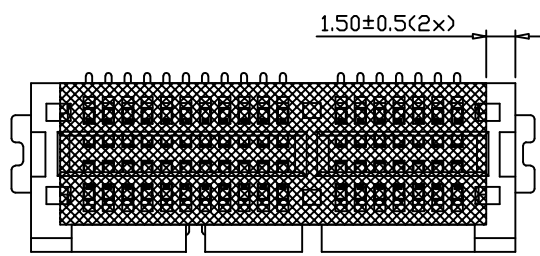
RECOMMENDED EDGE CARD PATTERN (SECONDARY SIDE)

TOLERANCE		TITLE:	
LINEAR	ANGLES	PCIe 36P Vertical SMT With Latch	
X.±0.50	X*.±2.0°	深圳市东方御业科技有限公司	
.X±0.38	.X*±1.0°	Tel:0755-27155560 www.DFYCONN.COM	
.XX±0.25	.XX*±	APPD:	DRWN: Rocky
.XXX±0.15	.XXX*±	CHKD:	DATE: 2014-4-10
		CUSTOMER:	PART NO.: SEE TABLE
		CDPY:	DWG NO.: EAST-03601-25
		UNITS:	SCALE:
		MM	1:1
		SHEET:	2 OF 3
		REV:	A/0

1	2	3	4	5	6	7	8	
				REV	LTR	DESCRIPTION	DATE	DWN



With CAP



With MYLAR

TOLERANCE		深圳市东方御业科技有限公司 Tel:0755-27155560 www.DFYCDNN.COM		TITLE: PCIe 36P Vertical SMT With Latch			
LINEAR	ANGLES			CUSTOMER COPY	PART NO.:	SEE TABLE	
X.±0.50	X*.±2.0°		DWG NO.:	EAST-03601-25			
.X ±0.38	.X*±1.0°	APPD:	DRWN:	UNITS	SCALE	SHEET	REV
.XX ±0.25	.XX*±	CHKD:	DATE: 2014-4-10	MM	1:1	3 OF 3	A/0
.XXX ±0.15	.XXX*±						