

REV	LTR	DESCRIPTION	DATE	DWN
A1	△	4.00±0.20→3.80±0.20	140606	Rocky

Material:

Housing: High Temperature Thermoplastic(See part number);
 Contact: Copper Alloy(See part number),
 Tin over Nickel plating at solder tail,
 Gold over Nickel plating at mating area;

Mechanical Characteristics:

Durability: 50 mating cycles Min.;
 Mating Force: 1.15N max. per pair;
 Unmating Force: 0.15N min. per pair.

Electrical Characteristics:

Contact Resistance: 30mΩ Max. initial,
 50mΩ Max. after test.
 Insulation Resistance: 1000MΩ Min at DC500V;
 Dielectric Withstand Voltage: AC 500V RMS.

Wave Soldering:

The connector shall be mounted on the PCB,
 the temperature of the solder shall be 260±5°C
 and immersion duration 10±2S
 Operating Temperature: -45°C~105°C

ORDER INFORMATION:

EAST-036 01 X 35 XX X X

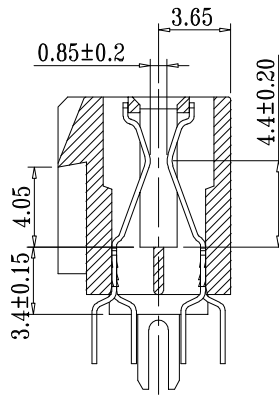
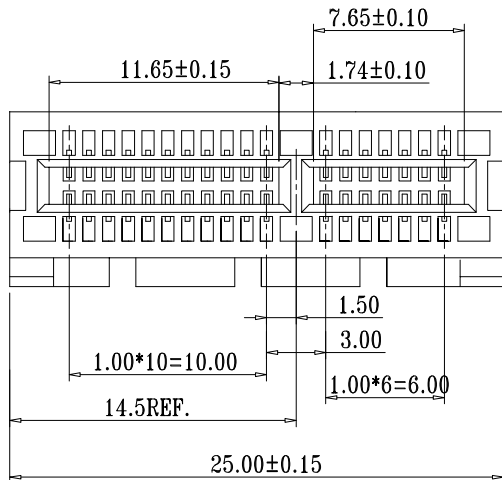
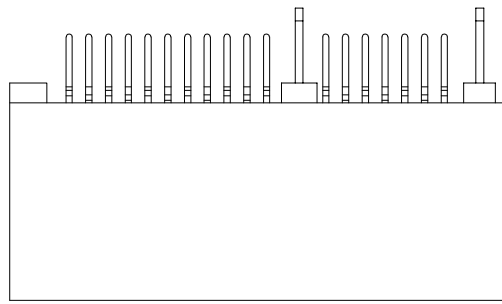
No. of Pins: 35
 Plating:
 A-Flash.Gold in contact area/
 80u" Min Tin in solder area.
 B-3u" Min.Gold in contact area/
 80u" Min Tin in solder area.
 C-5u" Min.Gold in contact area/
 80u" Min Tin in solder area.
 D-10u" Min.Gold in contact area/
 80u" Min Tin in solder area.
 E-15u" Min.Gold in contact area/
 80u" Min Tin in solder area.

Environment Protection:
 R for RoHS
 G for GP
 H for Halogen-free

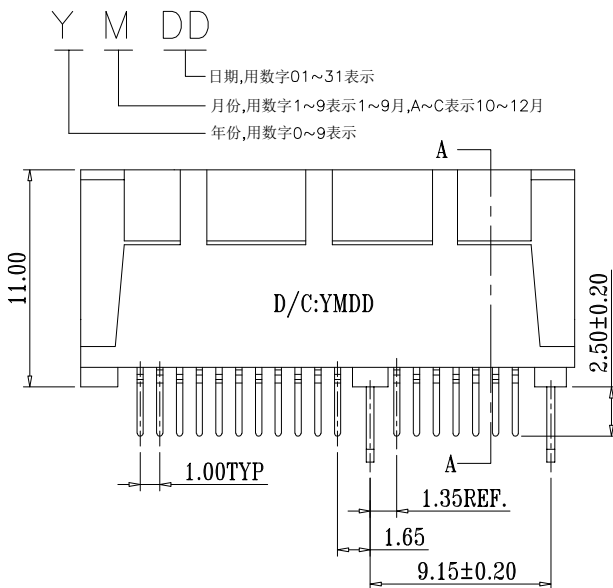
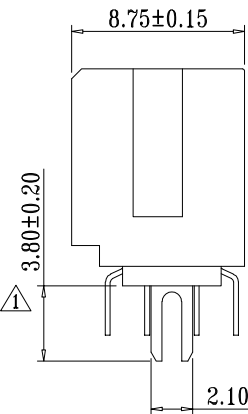
Packing:
 A-Tube ,C-Tray ,E-Box

Color:
 Ax:Red, Bx:Orange, Cx:Yellow
 Dx:Green, Ex:Blue, Gx:Purple,
 K1:Black, Lx:White

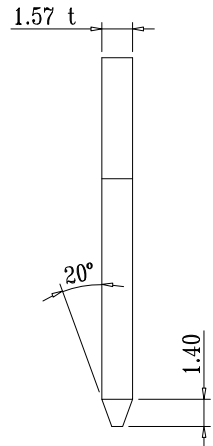
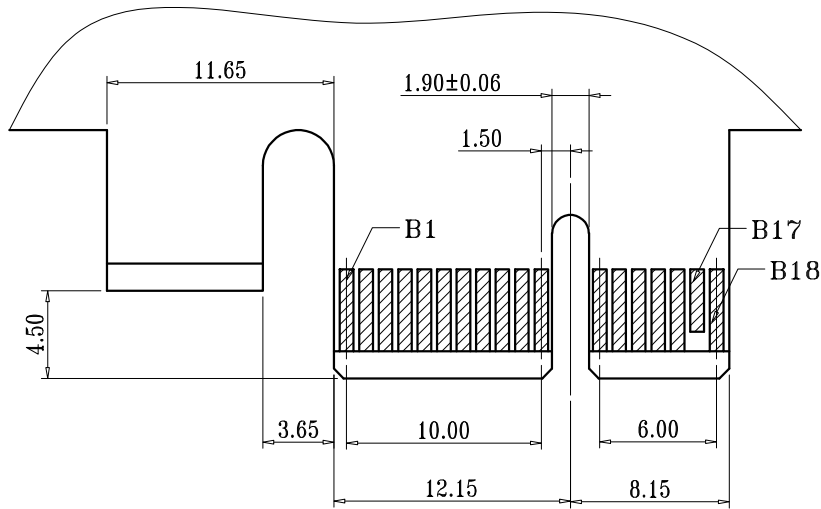
TOLERANCE		深圳市东方御业科技有限公司		TITLE:			
LINEAR	ANGLES	Tel:0755-27155560 WWW.DFYCONN.COM		PCIe 36P传统鱼叉式			
X.±0.50	X'.±2.0'			PART NO.: SEE TABLE			
.X ±0.30	.X' ±1.0'			DWG NO: RED-EB-005			
.XX ±0.20	.XX' ±	APPD:	DRWN: Rocky	UNITS	SCALE	SHEET	REV
.XXX ±0.10	.XXX' ±	CHKD:	DATE: 2012-08-12	MM	1:1	1 OF 2	0.1



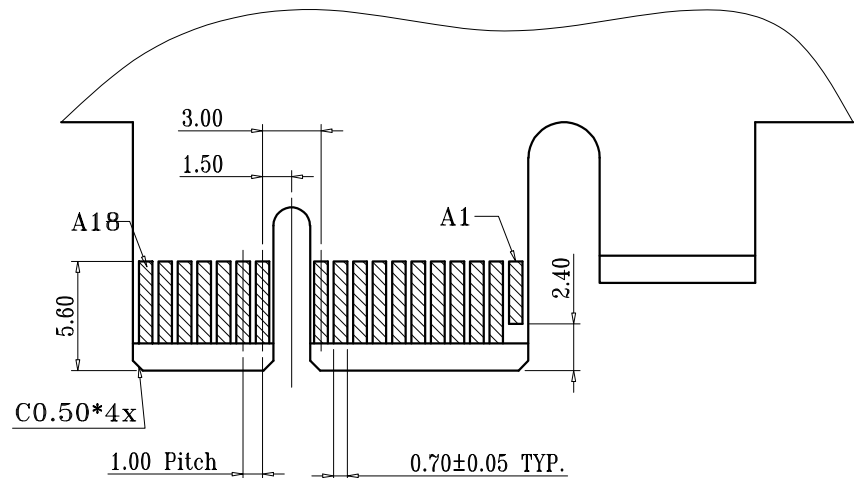
SECTION A-A



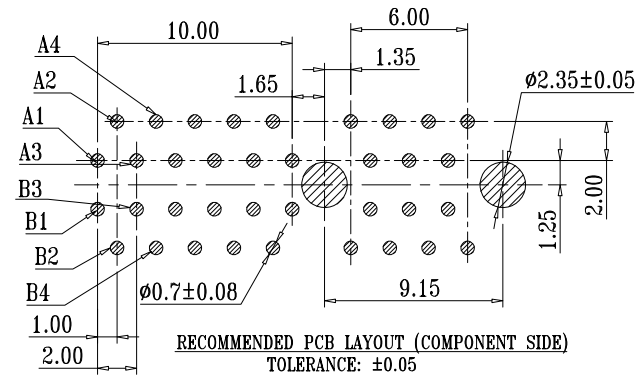
REV	LTR	DESCRIPTION	DATE	DWN
A1	△	4.00±0.20→3.80±0.20	140606	Rocky



**RECOMMENDED EDGE CARD
PATTERN(PRIMARY SIDE)**

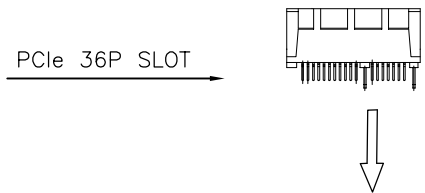


**RECOMMENDED EDGE CARD
PATTERN(SECONDARY SIDE)**



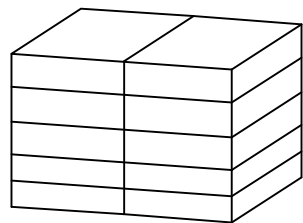
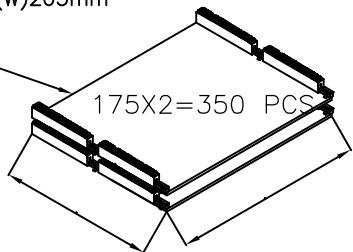
TOLERANCE		深圳市东方御业科技有限公司		TITLE: PCIe 36P传统鱼叉式			
LINEAR	ANGLES	Tel:0755-27155560 WWW.DFYCONN.COM		PART NO.: _____			
X.±0.50	X'±2.0'			DWG NO.: EAST-03601-02			
.X±0.38	.X'±1.0'			UNITS	SCALE	SHEET	REV
.XX±0.25	.XX'±	APPD:	DRWN: Rocky	MM	1:1	2 OF 2	A/0
.XXX±0.15	.XXX'±	CHKD:	DATE: 2012-8-12				

1-1 如图所示将产品摆放在平卡上

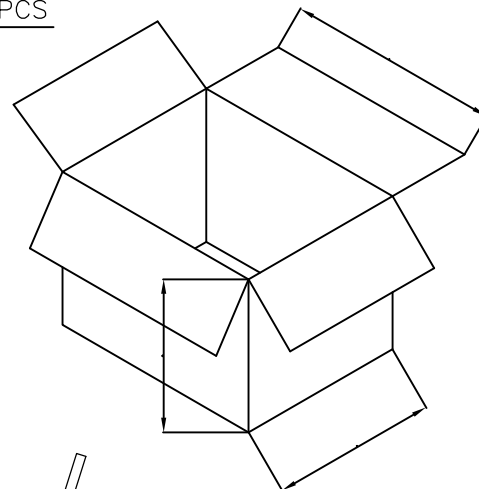


1-2 每层摆放7排，每排摆放25PCS

Size:(L)220*(W)205mm
平卡



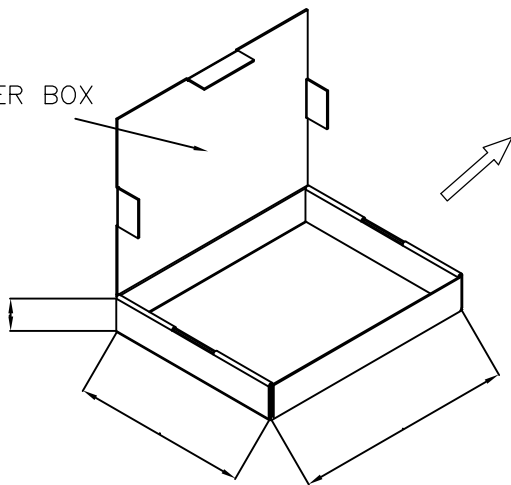
10 BOXES/3500 PCS



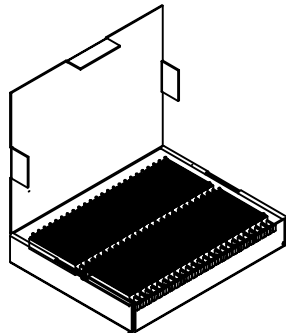
Size:(L)437*(W)250*(H)250mm

1-4 每箱装10盒（共二叠，每叠5层）

PAPER BOX

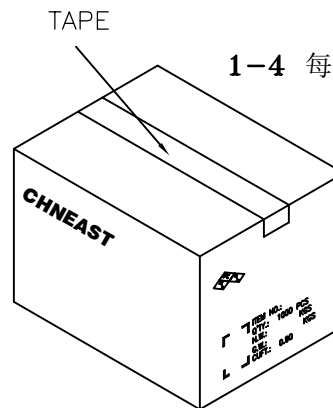


Size:(L)230*(W)210*(H)45mm



PAPER BOX
350 PCS / BOX

1-3 每盒摆放2层，每层摆放150 PCS



10 BOXES / CARTON
TOTAL:3500 PCS

- 1-5 纸箱开口处以透明胶带粘合；
- 1-6 若有未装满之尾数箱，必须以填充物塞满；
- 1-7 纸箱侧唛贴上标签

TOLERANCE		TITLE:	
LINEAR	ANGLES	PCle 36P传统鱼叉式	
X.±0.50	X'.±2.0'	PART NO.:	
.X ±0.30	.X' ±1.0'	DWG NO.(OLD): EAST-EB-018	
.XX ±0.20	.XX' ±	APPD:	DRWN: Rocky
.XXX ±0.10	.XXX' ±	CHKD:	DATE: 2007-3-21
		UNITS SCALE SHEET REV	
		MM 1:1 1 OF 1 A/0	

深圳市东方御业科技有限公司
www.dfyconn.com Tel:0755-27155560